

Contact Details

Before using the product, please check the guide pages at the front of this catalog.

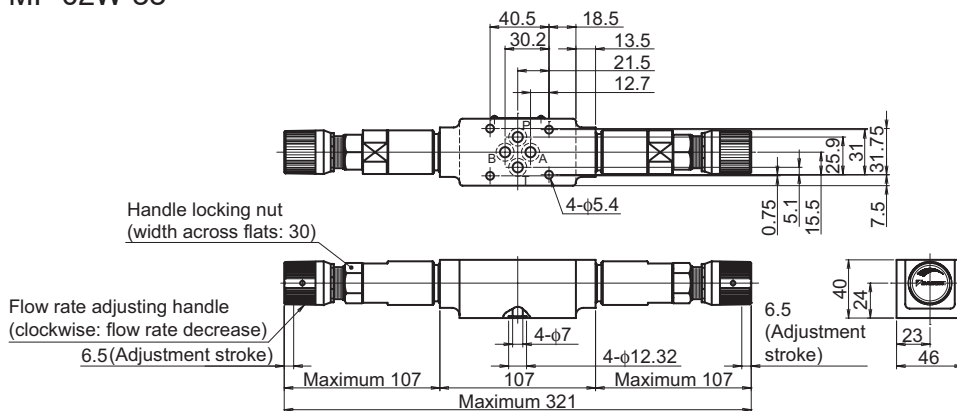
Internet

<http://www.daikinpmc.com/en/>

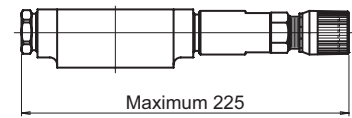
For latest information, PDF catalogs and operation manuals

External dimension diagram

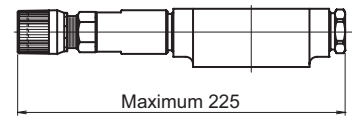
MF-02W-55



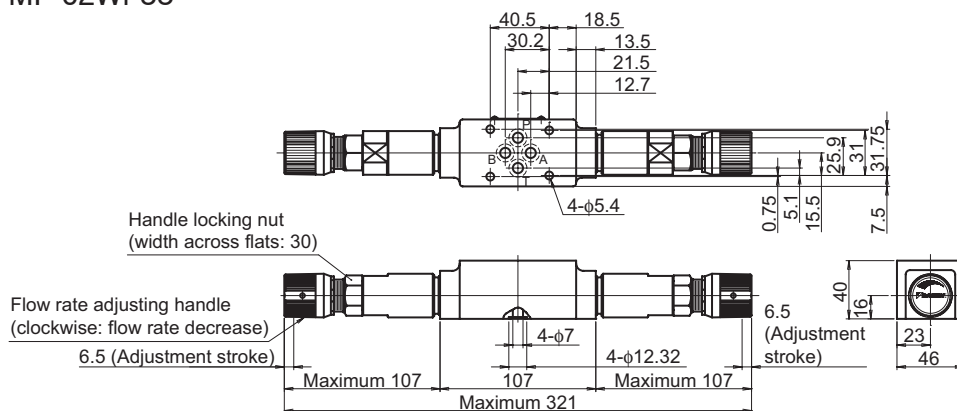
MF-02A-55



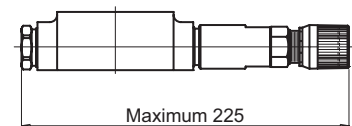
MF-02B-55



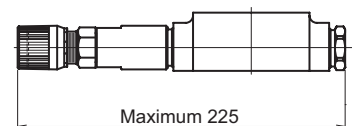
MF-02Wi-55



MF-02Ai-55

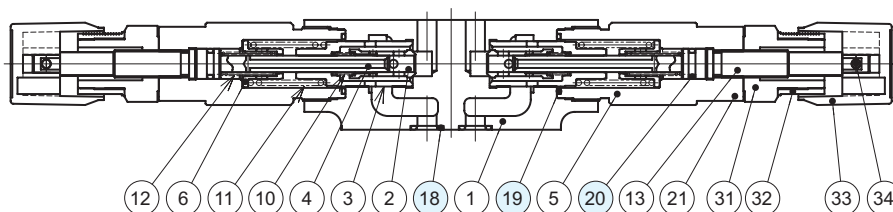


MF-02Bi-55

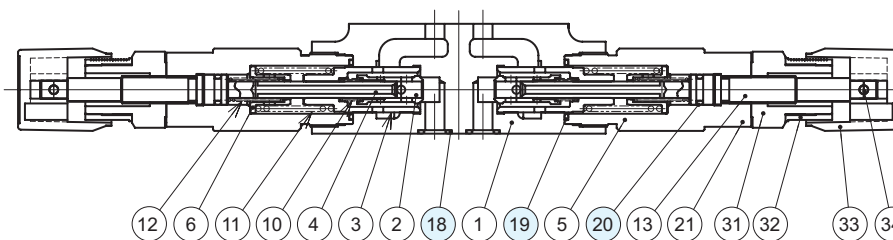


Sectional structural diagram

MF-02W-55



MF-02Wi-55



Sealing part table

Part No.	Name	Quantity		Part specifications
		W	A, B	
18	O-ring	4	4	AS568-012 (NBR, Hs90)
19	O-ring	2	2	AS568-018 (NBR, Hs90)
20	O-ring	2	1	JIS B 2401 1A P8