

## Contact Details

Before using the product, please check the guide pages at the front of this catalog.

Internet

<http://www.daikinpmc.com/en/>

For latest information, PDF catalogs and operation manuals

# 04 Series Stack Valve Size Conversion Plates

JIS graphic symbols for hydraulic system

BSC-0204

(G02)



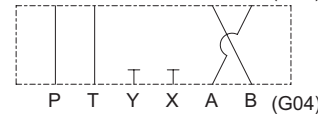
BSC-0304

(G03)



BSC-0304G

(G03)



## Nomenclature

**BSC** - **04** - **10**

1 2 3 4 5

- Model No. (Applicable fluids: petroleum-based hydraulic oil, water-glycol hydraulic fluid)**

BSC: Size conversion plate

- Top size: Nominal diameter**

02: ¼      03: ⅜

- Bottom size: Nominal diameter**

04: ½

- Option code**

No designation: Forward arrangement type

G: Reverse arrangement type

- Design No. (The design No. is subject to change)**

## Specifications

Model code	Maximum operating pressure MPa {kgf/cm <sup>2</sup> }	Maximum flow rate L/min	Mass kg
BSC-0204-10	25 {250}	40	4.4
BSC-0304-10		80	3.5
BSC-0304G-10			8.4

## Application

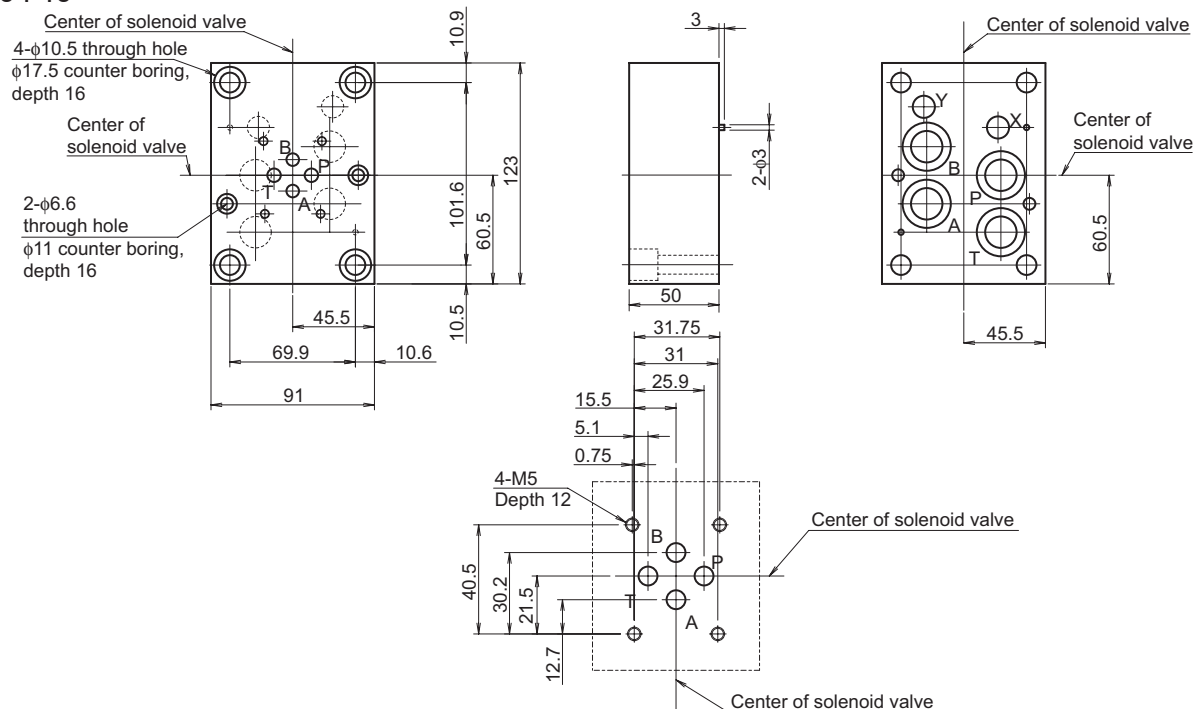
Size conversion plates are used to convert the size of a solenoid valve or stack valve to mount it on a larger manifold block (BT-\*\*\*) or sub-plate.

## Accessories

Model code	Name	Quantity	Part specifications
BSC-***04-40	O-ring	2	AS568-012 (NBR, Hs90)
	O-ring	4	AS568-118 (NBR, Hs90)
	Hexagon socket head cap bolt	2	M6 × 45
	Hexagon socket head cap bolt	4	M10 × 50
BSC-0304G-40	O-ring	1	AS568-012 (NBR, Hs90)
	O-ring	1	AS568-017 (NBR, Hs90)
	O-ring	4	AS568-118 (NBR, Hs90)
	Hexagon socket head cap bolt	2	M6 × 100
	Hexagon socket head cap bolt	4	M10 × 100

## External dimension diagram

BSC-0204-10



Details of mounting face dimensions of G02

ISO4401-AB-03-4-A

**Contact Details**

Before using the product, please check the guide pages at the front of this catalog.

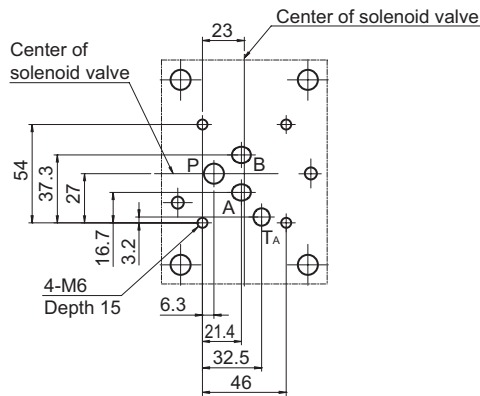
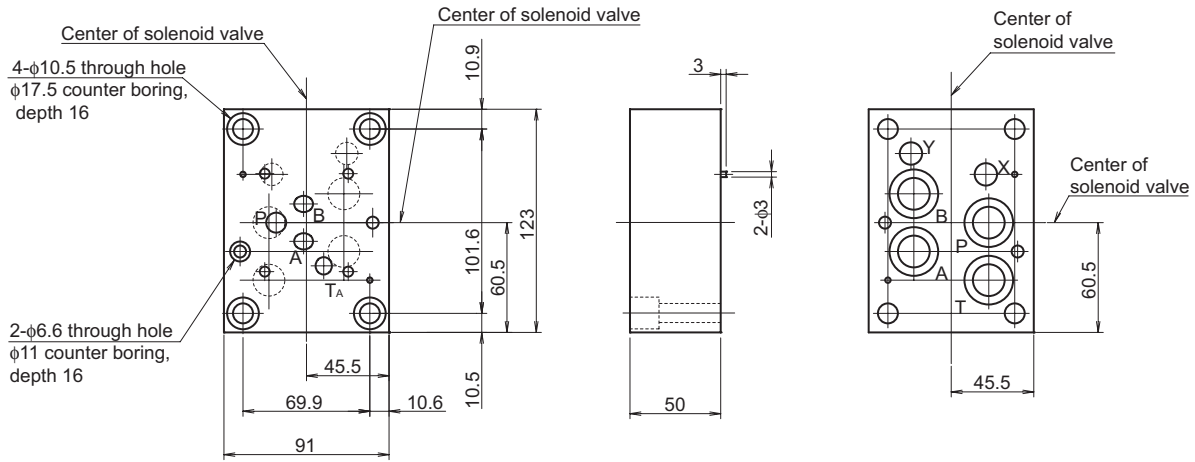
Internet

<http://www.daikinpmc.com/en/>

For latest information, PDF catalogs and operation manuals

**External dimension diagram**

**BSC-0304-10**



**Details of mounting face dimensions of G03**  
ISO4401-AB-03-4-A

**BSC-0304G-10**

