

Contact Details

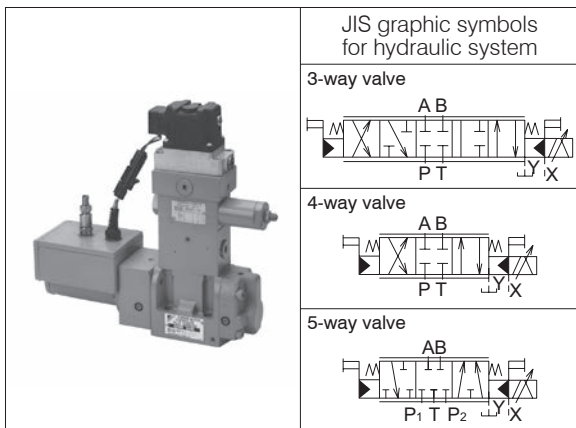
Before using the product, please check the guide pages at the front of this catalog.

Internet

<http://www.daikinpmc.com/en/>

For latest information, PDF catalogs and operation manuals

Solenoid Pilot Operated Servo Valve



Features

- Ideal for closed loop control of the position, speed, and pressure of main machine's actuators.
- The orifice nozzle adopted as the pilot valve has a large diameter for a nozzle flapper type valve and achieves greater resistance to contamination.
- The drive is installed on the valve.
- Specifications with a pressure sensor are available as an option to enable closed loop control of the pressure.

Nomenclature

JSES - **G** × × - × × - **30** - × × ×

1 2 3 4 5 6 7 8

- | | |
|--|---|
| <p>1 Model No.
JSES: Solenoid pilot operated servo valve</p> <p>2 Connections
G: Gasket mount type</p> <p>3 Nominal diameter
03: $\frac{3}{8}$
04: $\frac{1}{2}$</p> <p>4 Servo type
3: 3-way valve
4: 4-way valve
5: 5-way valve *1</p> | <p>5 Flow rate rank
(Valve differential pressure: at $\Delta P = 7 \text{ MPa} \{70 \text{ kgf/cm}^2\}$)*2
1: 45 L/min
2: 95 L/min
3: 190 L/min</p> <p>6 Design No.
(The design No. is subject to change)</p> <p>7 Option code I
No designation: With filter block
P: Filter block, with reducing valve (MG-02P-1-55)</p> <p>8 Option code II *3
No designation: Without pressure sensor
T: With pressure sensor
TL: With pressure sensor (installed at the left side viewed from the driver side)
TR: With pressure sensor (installed at the right side viewed from the driver side)</p> |
|--|---|

Note: *1 5-way valves apply only to nominal diameter 03 ($\frac{3}{8}$).

*2 The flow rate rank applies only to the combination of nominal diameter 03 ($\frac{3}{8}$) and servo type 4.

*3 The option code II applies only to servo types 3 and 5.

Specifications

Model code	Nominal diameter	Maximum operating pressure MPa {kgf/cm ² }	Rated flow rate*4 L/min	Permissible back pressure at drainage line MPa {kgf/cm ² }	Hysteresis, resolution, repeatability	Pilot valves			Mass kg
						Supplied pressure MPa {kgf/cm ² }	Required flow rate L/min	Saturated current mA	
JSES-G03- 3-30	$\frac{3}{8}$	21 {210}	190	1.4 {14}	0.5 % maximum	3 to 5 {30 to 50}	2.7 to 3.5	250	9.9
JSES-G03-41-30			45						
JSES-G03-42-30			95						
JSES-G03-43-30			190						
JSES-G03- 5-30			360						
JSES-G04- 3-30	$\frac{1}{2}$		540			3 to 7 {30 to 70}	4.2 to 6.5		11.5
JSES-G04- 4-30			500						

Note: *4 The rated flow rate indicates the values under the conditions below.

○ Servo type 3, 5: 1 land differential pressure $\Delta P = 3.5 \text{ MPa} \{35 \text{ kgf/cm}^2\}$

(For servo type 5, when P1 → A and P2 → B are merged.)

○ Servo type 4: Valve differential pressure $\Delta P = 7 \text{ MPa} \{70 \text{ kgf/cm}^2\}$