

Contact Details

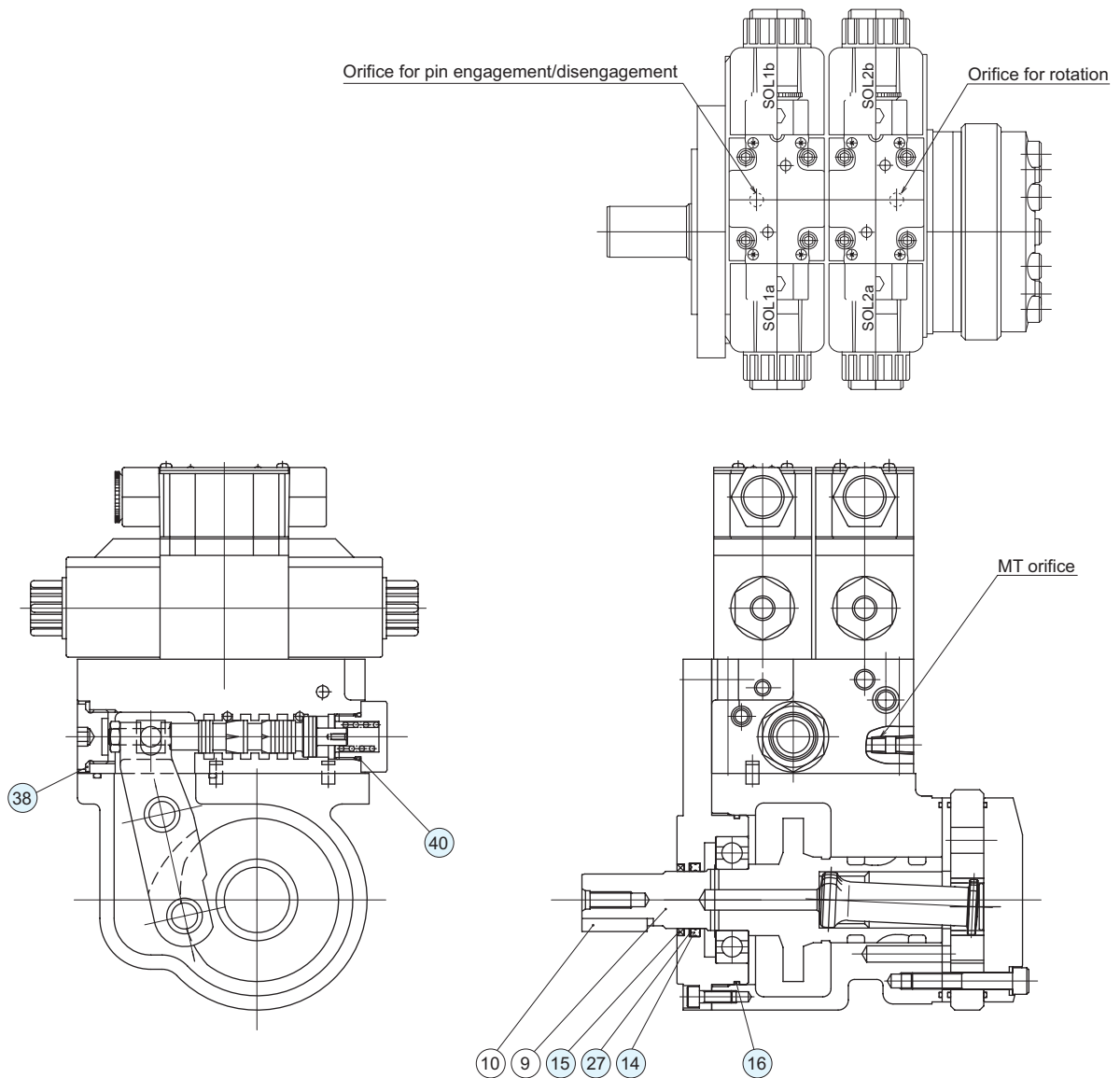
Before using the product, please check the guide pages at the front of this catalog.

Internet

<http://www.daikinpmc.com/en/>

For latest information, PDF catalogs and operation manuals

Sectional structural diagram



Sealing part table

Part No.	Name	Quantity	Part specifications
14	X-ring	1	Seal kit (PP01632-01)
15	Dust seal	1	
16	O-ring	1	
27	Backup ring	1	
38	Sealing washer	1	LBF060345E
40	O-ring	1	AS568-910