

## Contact Details

Before using the product, please check the guide pages at the front of this catalog.

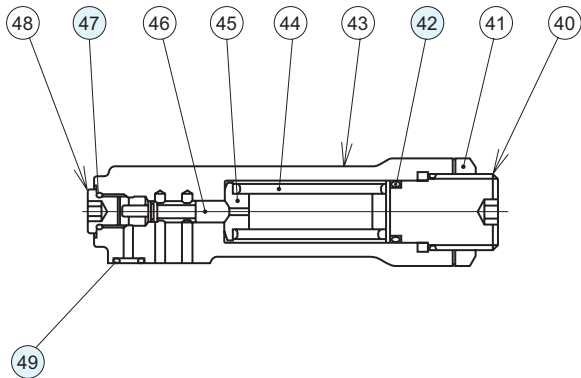
Internet

<https://www.daikinpmc.com/en/>

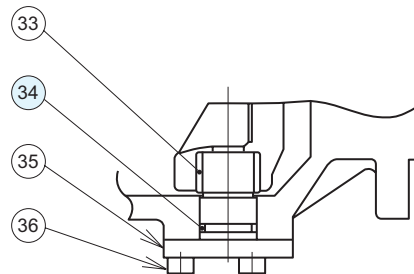
For latest information, PDF catalogs and operation manuals

## Sectional structural diagram

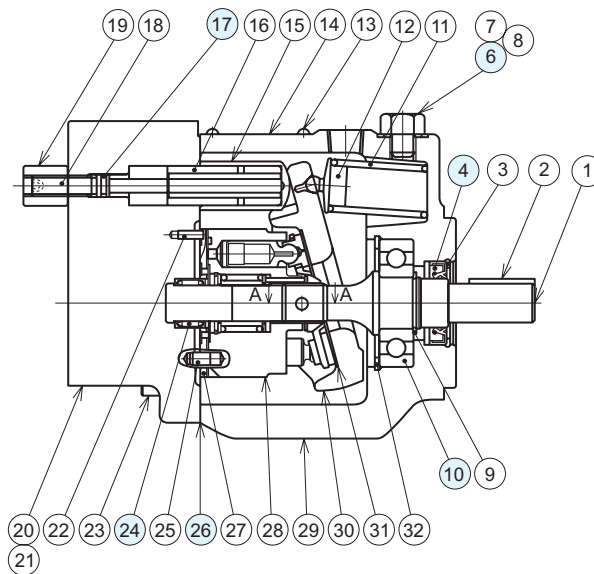
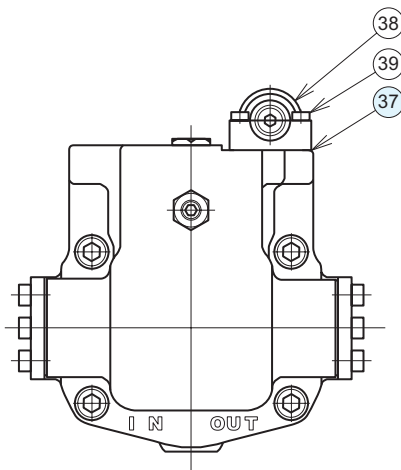
V8, V15



38 Detail of PC valve assembly



Section A-A  
Detail of trunnion



V8 Seal/bearing table

Part No.	Name	Quantity	Part specifications	Material
4	Oil seal	1	TCV19358	NBR
6	Sealing washer	1	WF12192	NBR
10	Ball bearing	1	6004	
17	O-ring	1	JIS B 2401 1A-P4	NBR
24	Needle bearing	1	HK1210	
26	Gasket	1	1730500 (special part)	
34	O-ring	2	JIS B 2401 1A-P20	NBR
37	Gasket	1	1741116 (special part)	
42	O-ring	1	JIS B 2401 1B-P14	NBR
47	O-ring	1	AS568-903 (HS90)	NBR
49	O-ring	1	JIS B 2401 1B-P6	NBR

V15 Seal/bearing table

Part No.	Name	Quantity	Part specifications	Material
4	Oil seal	1	TCV24408	NBR
6	Sealing washer	1	WF12192	NBR
10	Ball bearing	1	6305	
17	O-ring	1	JIS B 2401 1A-P8	NBR
24	Needle bearing	1	FJL1715	
26	Gasket	1	1730390 (special part)	
34	O-ring	2	JIS B 2401 1A-P18	NBR
37	Gasket	1	1740698 (special part)	
42	O-ring	1	JIS B 2401 1B-P14	NBR
47	O-ring	1	AS568-903 (HS90)	NBR
49	O-ring	1	JIS B 2401 1B-P6	NBR

## Contact Details

Before using the product, please check the guide pages at the front of this catalog.

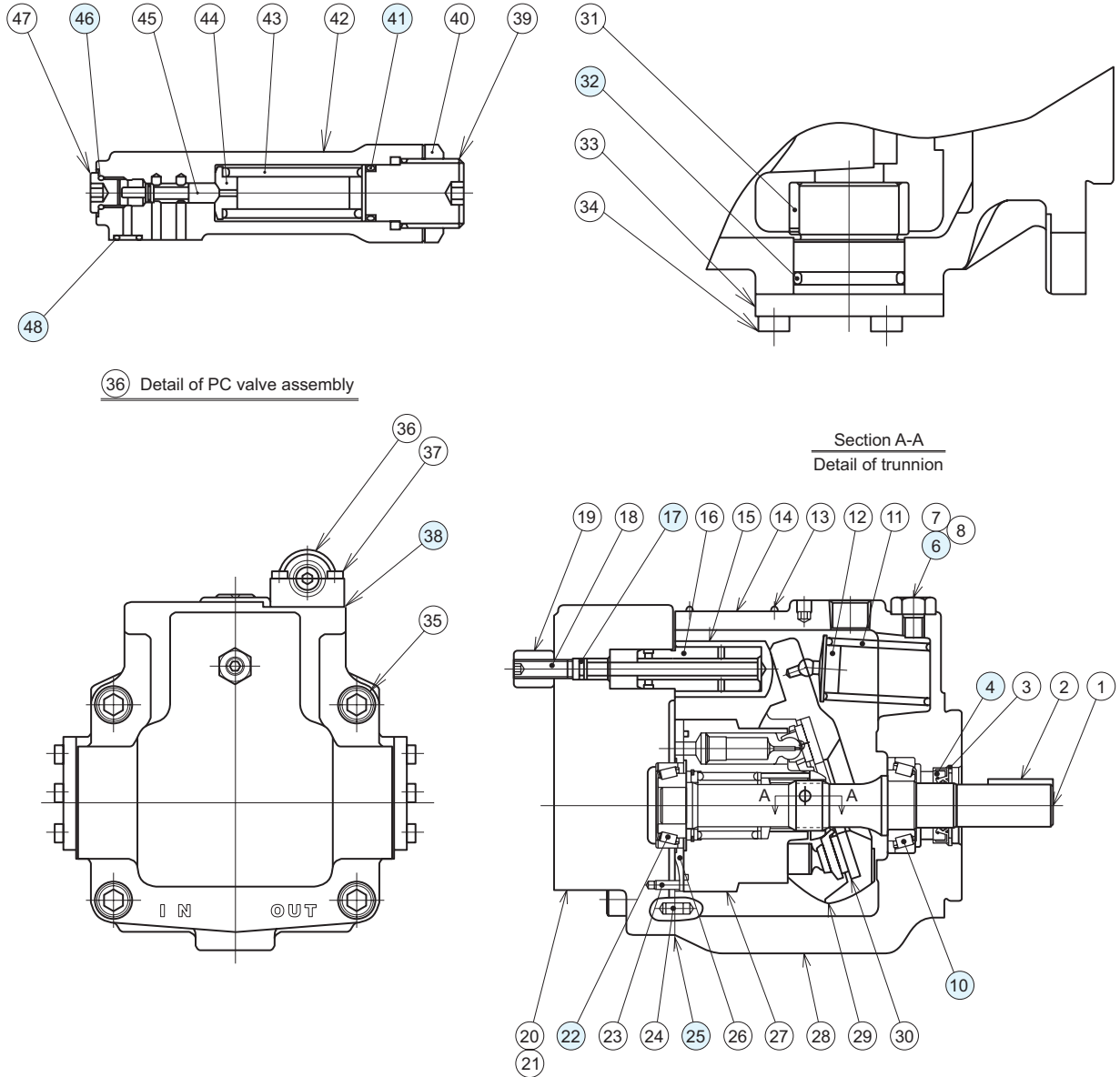
Internet

<https://www.daikinpmc.com/en/>

For latest information, PDF catalogs and operation manuals

## Sectional structural diagram

V23, V38



V23 Seal/bearing table

Part No.	Name	Quantity	Part specifications	Material
4	Oil seal	1	TCV24408	NBR
6	Sealing washer	1	WF12192	NBR
10	Tapered roller bearing	1	Cup: 4T-L44610 Cone: 4T-L44643	
17	O-ring	1	JIS B 2401 1A-P8	NBR
22	Tapered roller bearing	1	Cup: 4T- LM11710 Cone: 4T- LM11749	
25	Gasket	1	1730511 (special part)	
32	O-ring	2	JIS B 2401 1A-G30	NBR
38	Gasket	1	1740698 (special part)	
41	O-ring	1	JIS B 2401 1B-P14	NBR
46	O-ring	1	AS568-903 (HS90)	NBR
48	O-ring	1	JIS B 2401 1B-P6	NBR

V38 Seal/bearing table

Part No.	Name	Quantity	Part specifications	Material
4	Oil seal	1	TCV24408	NBR
6	Sealing washer	1	WF12192	NBR
10	Tapered roller bearing	1	Cup: 4T-L44610 Cone: 4T-L44643	
17	O-ring	1	JIS B 2401 1A-P8	NBR
22	Tapered roller bearing	1	Cup: 4T- LM11910 Cone: 4T- LM11949	
25	Gasket	1	1730500 (special part)	
32	O-ring	2	JIS B 2401 1A-G30	NBR
38	Gasket	1	1740698 (special part)	
41	O-ring	1	JIS B 2401 1B-P14	NBR
46	O-ring	1	AS568-903 (HS90)	NBR
48	O-ring	1	JIS B 2401 1B-P6	NBR

## Contact Details

Before using the product, please check the guide pages at the front of this catalog.

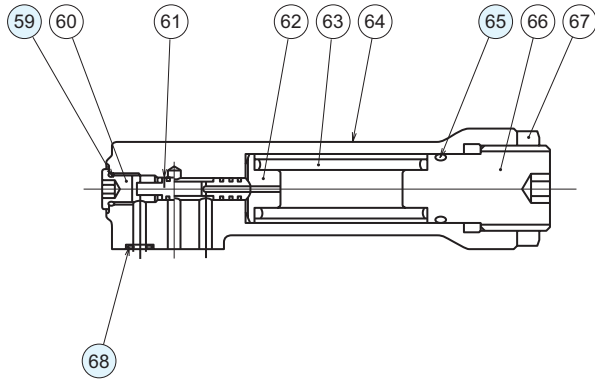
Internet

<https://www.daikinpmc.com/en/>

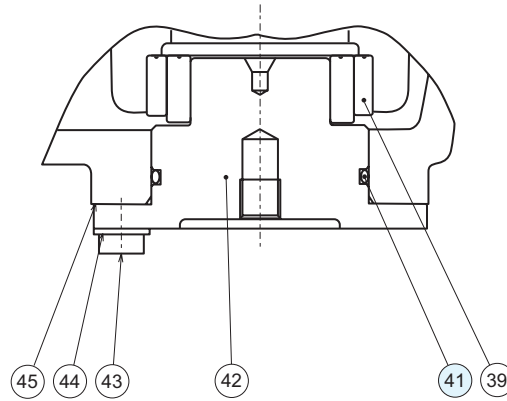
For latest information, PDF catalogs and operation manuals

## Sectional structural diagram

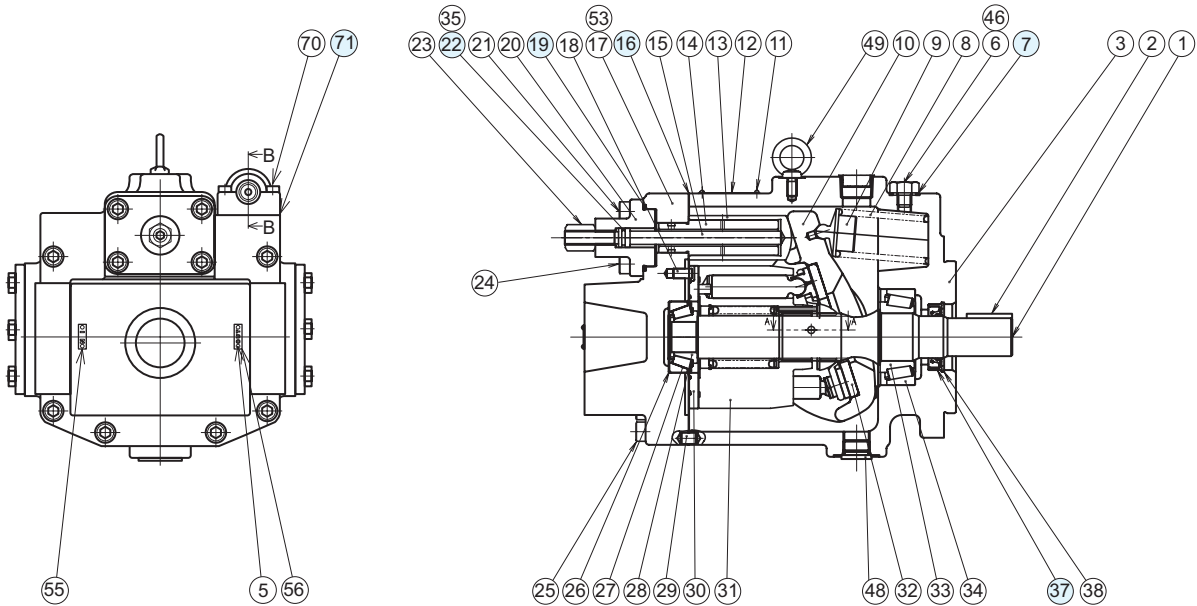
V50, V70



58 Detail of PC valve assembly



Section A-A  
Detail of trunnion



V50 Seal/bearing table

Part No.	Name	Quantity	Part specifications	Material
7	Sealing washer	1	WF12192	NBR
16	Gasket	1	1020257 (special part)	
19	O-ring	1	JIS B 2401 1A-G50	NBR
22	O-ring	1	JIS B 2401 1A-P12	NBR
37	Oil seal	1	TCV355511	NBR
41	O-ring	2	AS568-228 (HS70)	NBR
59	O-ring	1	AS568-903 (HS90)	NBR
65	O-ring	1	JIS B 2401 1A-P18	NBR
68	O-ring	1	JIS B 2401 1B-P6	NBR
71	Gasket	1	1740975 (special part)	

V70 Seal/bearing table

Part No.	Name	Quantity	Part specifications	Material
7	Sealing washer	1	WF12192	NBR
16	Gasket	1	1730446 (special part)	
19	O-ring	1	JIS B 2401 1A-G50	NBR
22	O-ring	1	JIS B 2401 1A-P12	NBR
37	Oil seal	1	TCV355511	NBR
41	O-ring	2	AS568-230 (HS70)	NBR
59	O-ring	1	AS568-903 (HS90)	NBR
65	O-ring	1	JIS B 2401 1A-P18	NBR
68	O-ring	1	JIS B 2401 1B-P6	NBR
71	Gasket	1	1740975 (special part)	