

Contact Details

Before using the product, please check the guide pages at the front of this catalog.

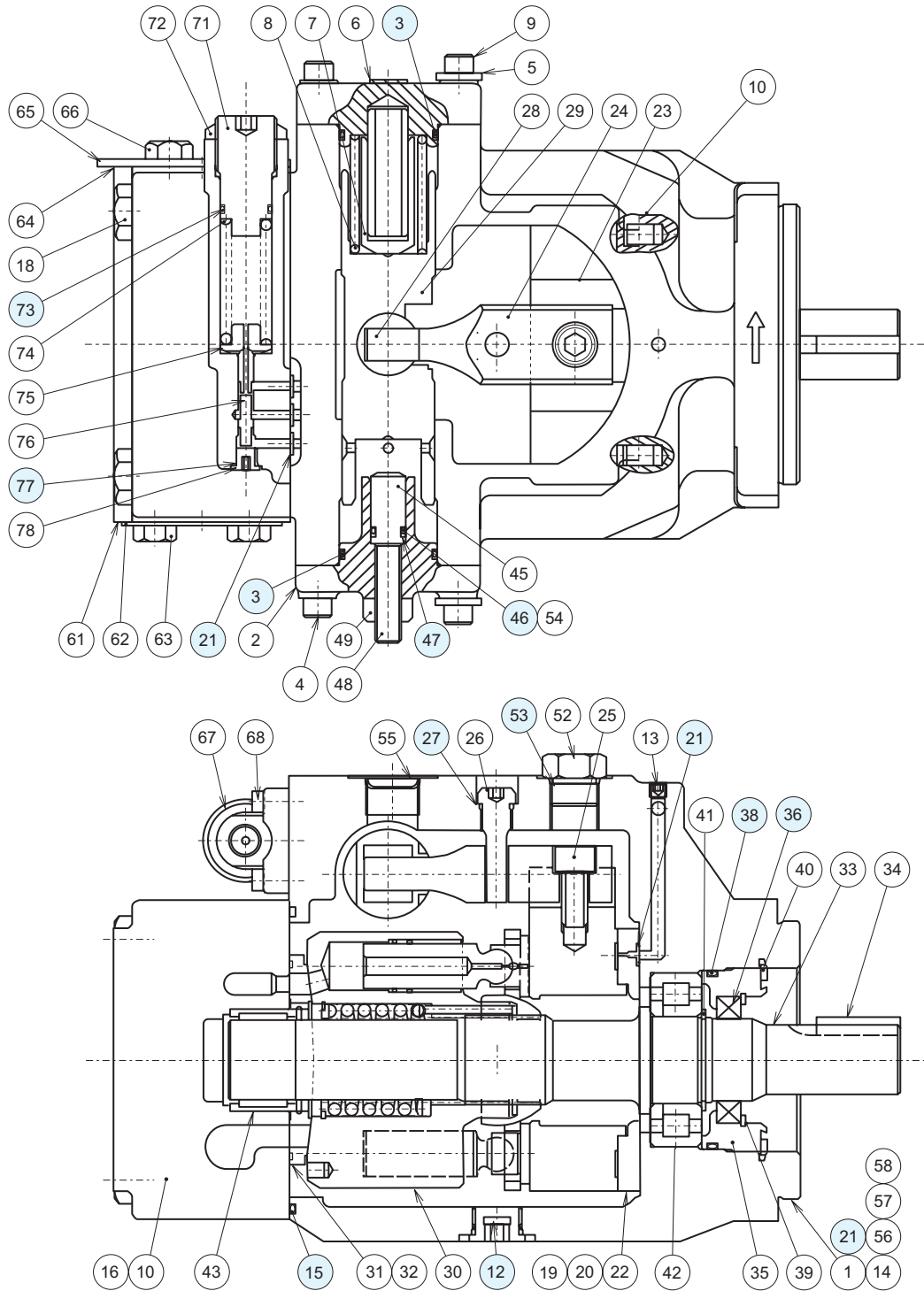
Internet

<https://www.daikinpmc.com/en/>

For latest information, PDF catalogs and operation manuals

Sectional structural diagram

VZ80



Part No.	Name	Quantity	Part specifications					Material	
			VZ50	VZ63	VZ80	VZ100	VZ130		
3	O-ring	2	JIS B 2401 1B-G35		JIS B 2401 1B-G40	JIS B 2401 1B-G45		NBR	
12	O-ring	1	AS568-908 (HS90)	AS568-910 (HS90)					NBR
15	O-ring	1	JIS B 2401 1B-G120	JIS B 2401 1B-G125	JIS B 2401 1B-G135	JIS B 2401 1A-G150	JIS B 2401 1A-G160	NBR	
21	O-ring	6	JIS B 2401 1B-P7			JIS B 2401 1B-P7 (4 pcs.) 1B-P9 (3 pcs.)	JIS B 2401 1B-P7 (1 pc.) 1B-P9 (7 pcs.)	NBR	
27	O-ring	1	AS568-906 (HS90)	AS568-908 (HS90)	AS568-906 (HS90)	AS568-908 (HS90)		NBR	
36	Oil seal	1	TCV284811	TCV385811		TCN487012		NBR	
38	O-ring	1	AS568-234 (HS70)			AS568-238 (HS90)		NBR	
46	O-ring	1	JIS B 2401 1B-P10A		JIS B 2401 1B-P12			NBR	
47	Backup ring	1	JIS B 2407 T2P10A		JIS B 2407 T2P12				
53	O-ring	1	AS568-910 (HS90)					NBR	
73	O-ring	1	JIS B 2401 1B-P20					NBR	
77	O-ring	1	AS568-903 (HS90)					NBR	