

Contact Details

Before using the product, please check the guide pages at the front of this catalog.

Internet

<https://www.daikinpmc.com/en/>

For latest information, PDF catalogs and operation manuals

Forward/backward compatibility of products subject to model changes

● Piston pump (V8A)

Model code of currently used product	Installation compatibility with current design (No. 20)	Notes
V8A1RX-10	Compatible	The external dimensions differ. (See *1)
V8A1RXT-10	Compatible	The external dimensions differ. (See *1)

The compatibility is indicated in the table as follows:

Compatible: Installation compatibility provided (The external dimensions differ.)

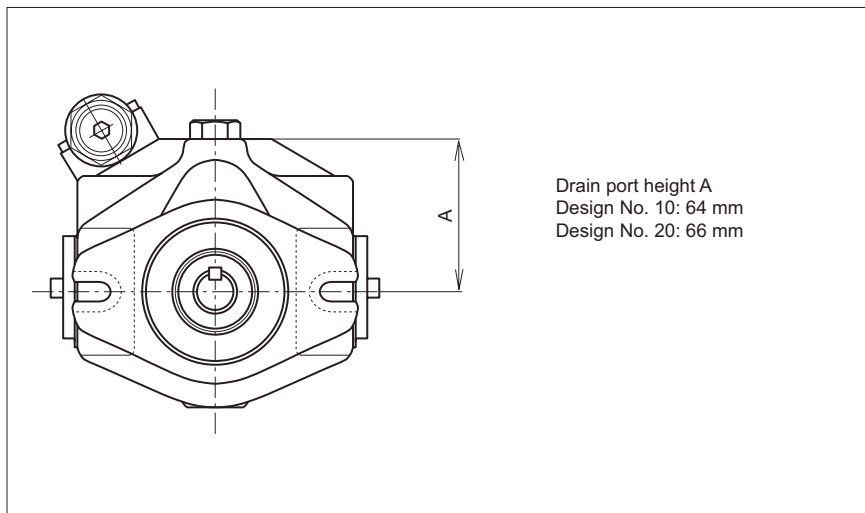
V8A1RXT-※※ is dedicated to motor pumps.

Note: T: Tongue shaft

<Time line of design numbers>

Design No. change	Details of change	
10 → 20	Pump drain port height: 64 mm → 66 mm (Refer to the external drawing below), Mass: 7.9 kg → 8.9 kg	*1

External drawing



Contact Details

Before using the product, please check the guide pages at the front of this catalog.

Internet

<https://www.daikinpmc.com/en/>

For latest information, PDF catalogs and operation manuals

Forward/backward compatibility of products subject to model changes

● Piston pump (V15A)

Model code of currently used product	Installation compatibility with current design (No. 95)	Notes
V15A×R-10	Not compatible	The piping positions (see external dimensions) and connection methods differ. (See *1 and *2.)
V15A×R-40	Partly compatible	The connection methods and external dimensions differ. (See *2 and *3.)
V15A×R-80	Compatible	External dimensions differ. (See *3 and *4.)
V15A×R-85	Compatible	External dimensions differ. (See *4.)
V15A×RX-10	Not compatible	The piping positions (see external dimensions) and connection methods differ. (See *1 and *2.)
V15A×RX-40	Partly compatible	The connection methods and external dimensions differ. (See *2 and *3.)
V15A×RX-80	Compatible	External dimensions differ. (See *3 and *4.)
V15A×RX-85	Compatible	External dimensions differ. (See *4.)
V15A1RY-85	Compatible	External dimensions differ. (See *4.)

The compatibility is indicated in the table as follows:

Compatible: Installation compatibility provided (The external dimensions differ.)

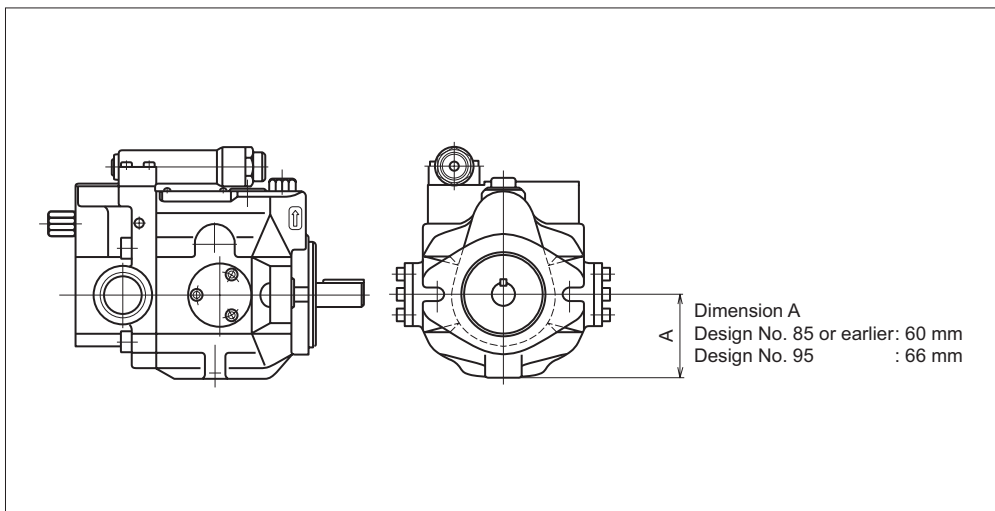
Partly compatible: Installation compatibility provided (Some piping needs to be corrected.)

Not compatible: Installation compatibility not provided

<Time line of design numbers>

Design No. change	Details of change	
10 → 40	Piping positions changed	*1
40 → 80	Piping method changed: bonded seal → O-ring boss	*2
80 → 85	Housing changed (housing communalized by adding V15A1RY)	*3
85 → 95	Bottom part dimension: 60 mm → 66 mm (Refer to the external drawing below.) Mass: 11.3 kg → 12.5 kg for V15A×R-95, 12.8 kg → 14.5kg for V15A×RX-95, 12.8 kg → 13.5 kg for V15A1RY-95	*4

External drawing



Contact Details

Before using the product, please check the guide pages at the front of this catalog.

Internet

<https://www.daikinpmc.com/en/>

For latest information, PDF catalogs and operation manuals

Forward/backward compatibility of products subject to model changes

● Piston pump (V23A)

Model code of currently used product	Installation compatibility with current design (No. 30)	Notes
V23A×R-10	Not compatible	The piping positions (see external dimensions) and connection methods differ. (See *1.)
V23A×R-20	Partly compatible	The connection methods differ. (See *1.)
V23A×RX-10	Not compatible	The piping positions (see external dimensions) and connection methods differ. (See *1.)
V23A×RX-20	Partly compatible	The connection methods differ. (See *1.)

The compatibility is indicated in the table as follows:

Partly compatible: Installation compatibility provided (Some piping needs to be corrected.)

<Time line of design numbers>

Design No. change	Details of change	
10 → 20		
20 → 30	Piping method changed: bonded seal → O-ring boss	*1

● Piston pump (V38A)

Model code of currently used product	Installation compatibility with current design (No. 95)	Notes
V38A×R-10	Not compatible	The piping positions (see external dimensions) and connection methods differ. (See *2 and *3.)
V38A×R-50	Partly compatible	The connection methods and external dimensions differ. (See *3 and *4.)
V38A×R-80	Compatible	External dimensions differ. (See *4.)
V38A×RX-10	Not compatible	The piping positions (see external dimensions) and connection methods differ. (See *2 and *3.)
V38A×RX-50	Partly compatible	The connection methods and external dimensions differ. (See *3 and *4.)
V38A×RX-80	Compatible	External dimensions differ. (See *4.)

The compatibility is indicated in the table as follows:

Compatible: Installation compatibility provided (The external dimensions differ.)

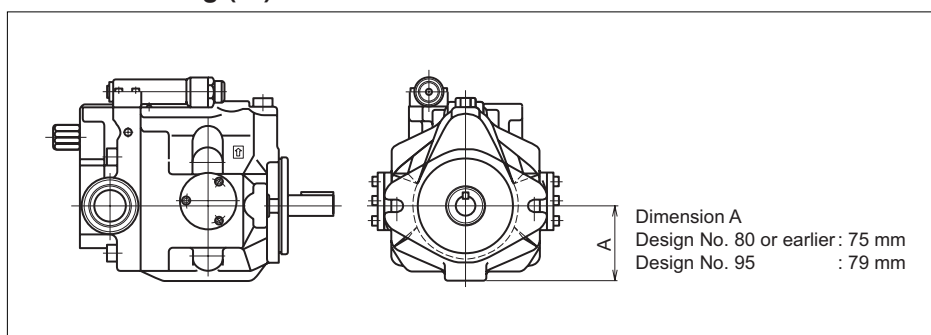
Partly compatible: Installation compatibility provided (Some piping needs to be corrected.)

Not compatible: Installation compatibility not provided

<Time line of design numbers>

Design No. change	Details of change	
10 → 50	Piping positions changed	*2
50 → 80	Piping method changed: bonded seal → O-ring boss	*3
80 → 95	Bottom part dimension: 75 mm → 79 mm (Refer to the external drawing below.) Mass: 22 kg → 22.4 kg for V38A×R-95, 23 kg → 26 kg for V38A×RX-95	*4

External drawing (*4)



Contact Details

Before using the product, please check the guide pages at the front of this catalog.

Internet

<https://www.daikinpmc.com/en/>

For latest information, PDF catalogs and operation manuals

Forward/backward compatibility of products subject to model changes

● Piston pump (V50A)

Model code of currently used product	Installation compatibility with current design (No. 20)	Notes
V50A×RX-10	Fully compatible	

The compatibility is indicated in the table as follows:

Fully compatible: Installation compatibility provided

● Piston pump (V70A)

Model code of currently used product	Installation compatibility with current design (No. 60)	Notes
V70A×RX-20	Partly compatible	The connection positions of the piping flange differ. (See *1.)
V70A×RX-30	Fully compatible	
V70A×RX-40	Fully compatible	
V70A×RX-50	Fully compatible	

The compatibility is indicated in the table as follows:

Fully compatible: Installation compatibility provided

Partly compatible: Installation compatibility provided (Some piping needs to be corrected.)

<Time line of design numbers>

Design No. change	Details of change	
20 → 30	Flange's width across flats: 204 mm → 208 mm (Refer to the external drawing below.)	*1
30 → 40		
40 → 50		
50 → 60		

External drawing

