

Contact Details

Before using the product, please check the guide pages at the front of this catalog.

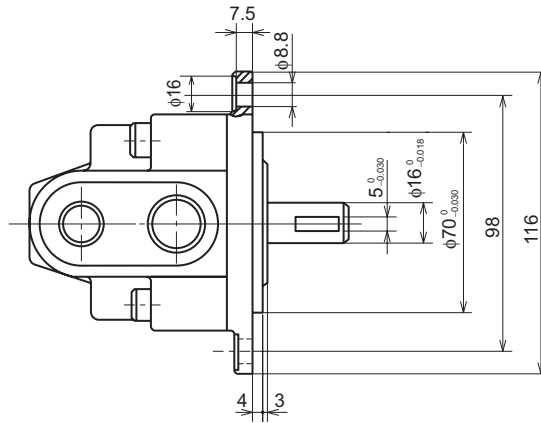
Internet

<https://www.daikinpmc.com/en/>

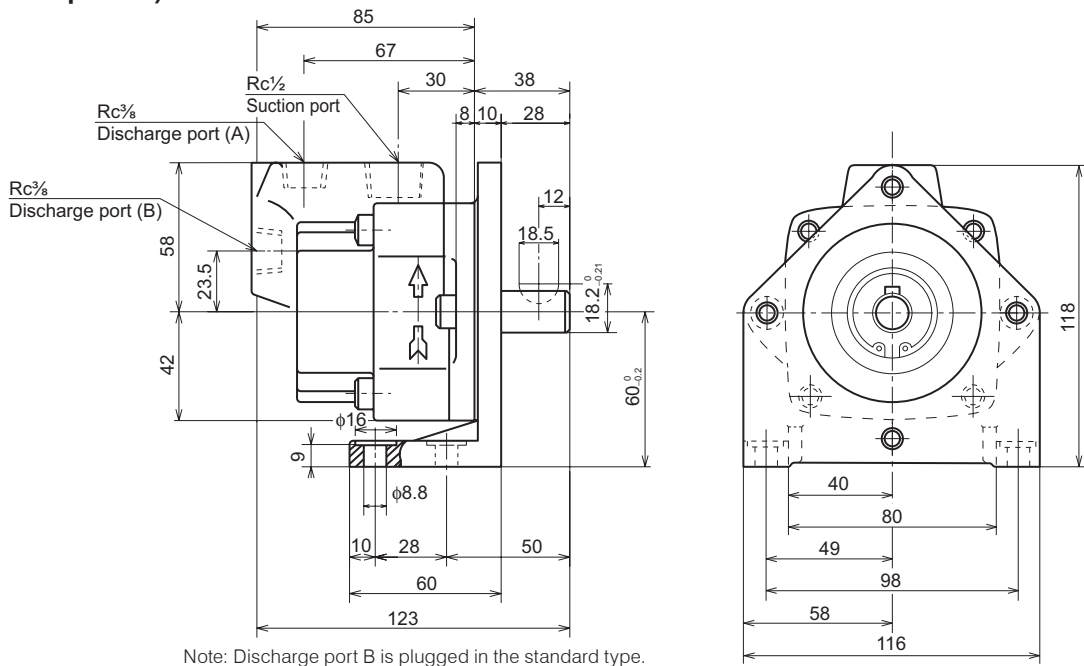
For latest information, PDF catalogs and operation manuals

External dimension diagram

Flange mount type

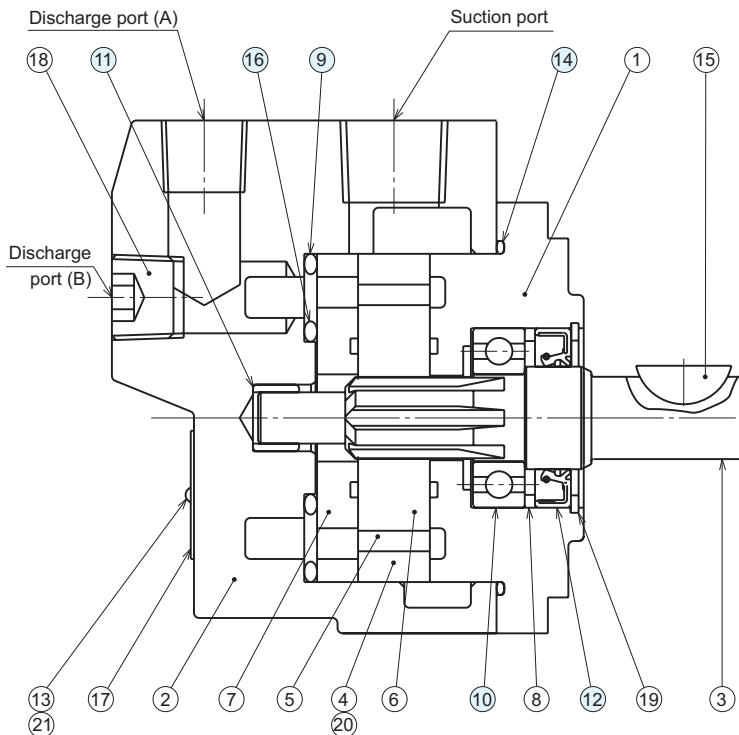


Foot support mount type (the foot support optional)



Note: Discharge port B is plugged in the standard type.

Sectional structural diagram



DS10P Seal/bearing table

Part No.	Name	Quantity	Part specifications	Material
9	O-ring	1	JIS B 2401 1B-G60	NBR
10	Ball bearing	1	6003	
11	Journal bearing	1	HP5235 (special part)	
12	Oil seal	1	TC20357	NBR
14	O-ring	1	KN1AS065 (special part)	NBR
16	O-ring	1	JIS B 2401 1B-G30	NBR