

Contact Details

Before using the product, please check the guide pages at the front of this catalog.

Internet

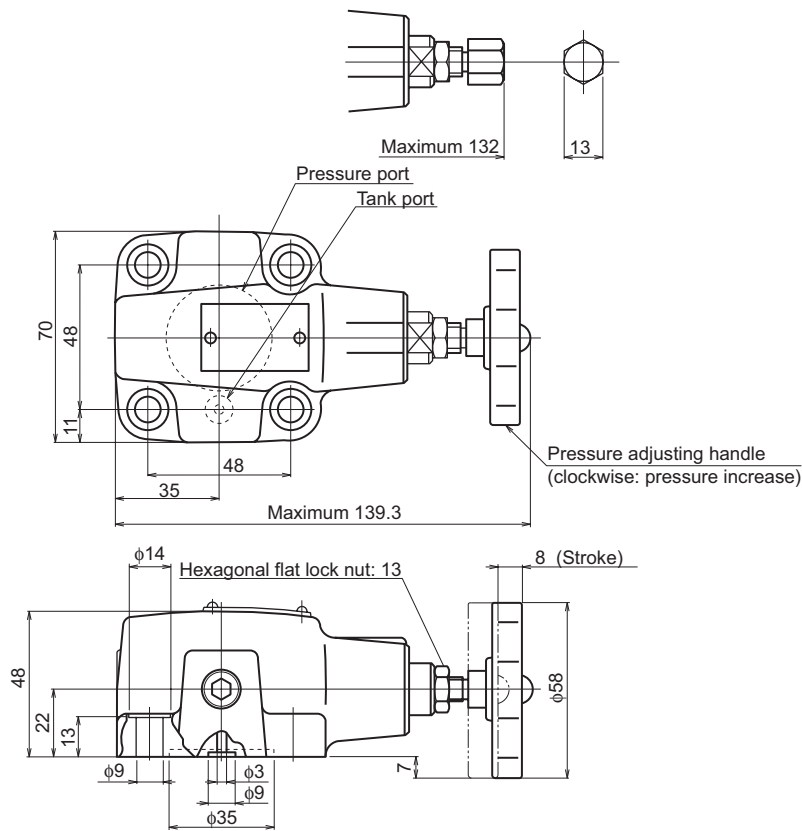
<https://www.daikinpmc.com/en/>

For latest information, PDF catalogs and operation manuals

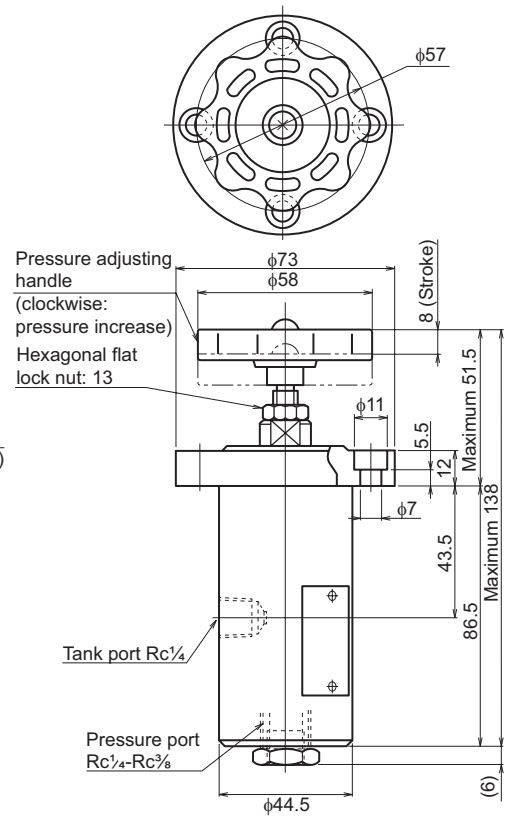
External dimension diagram

JR-G02

Pressure adjusting bolt type

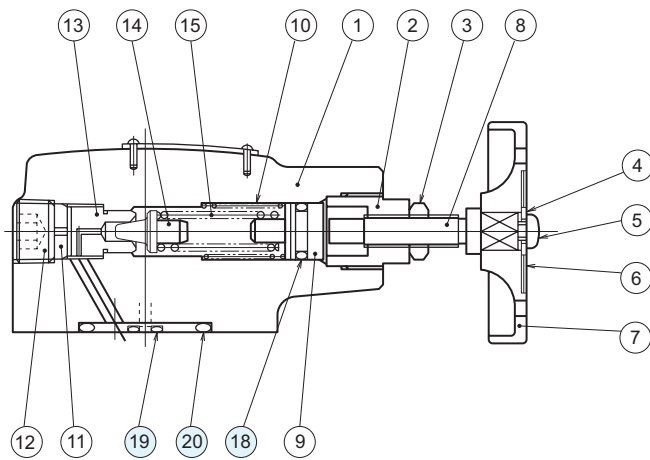


JR-T02

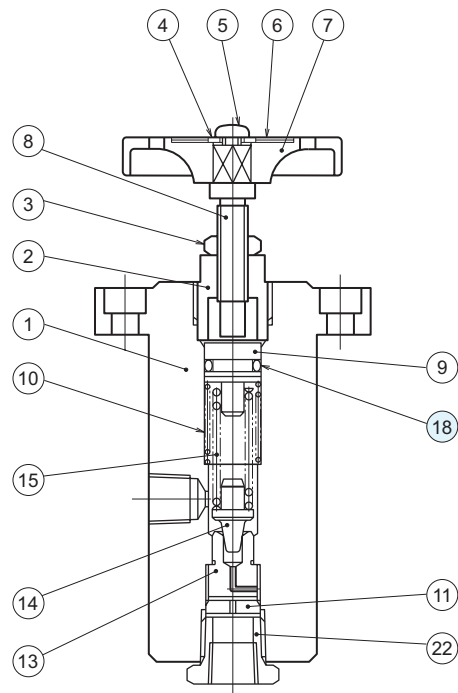


Sectional structural diagram

JR-G02



JR-T02



Sealing part table

Part No.	Name	Quantity	Model/part specifications	
			JR-G02	JR-T02
18	O-ring	1	JIS B 2401 1AP11	JIS B 2401 1AP11
19	O-ring	1	JIS B 2401 1BP6	-
20	O-ring	1	JIS B 2401 1BG30	-