

Contact Details

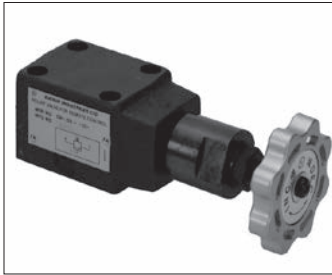
Before using the product, please check the guide pages at the front of this catalog.

Internet

<https://www.daikinpmc.com/en/>

For latest information, PDF catalogs and operation manuals

Direct Operated Relief Valve (for Remote Control)



JIS graphic symbols for hydraulic system

See the table below.

Features

- These valves are used for remotely controlling the pressure by connecting to the vent port of pilot operated pressure control valves such as relief valves and reducing valves.

Nomenclature

※ - CR - ※ 02 ※ - ※ - 10 - ※
 1 2 3 4 5 6 7 8

1 Applicable fluid code

No designation: Petroleum-based hydraulic fluid, water-glycol hydraulic fluid
 F: Phosphate ester hydraulic fluid

2 Model No.

CR: Direct operated relief valve

3 Connections

G: Gasket mount type
 S: Stacking type

4 Nominal diameter

02: ¼

5 Control port

P: P port control
 A: A port control *¹
 T: T port control *¹

6 Pressure adjustment range

1: 1.5 to 7 MPa {15 to 70 kgf/cm²}
 2: 1.5 to 16 MPa {15 to 160 kgf/cm²}
 3: 1.5 to 25 MPa {15 to 250 kgf/cm²}
 4: 1.5 to 31.5 MPa {15 to 315 kgf/cm²}

7 Design No.

(The design No. is subject to change)

8 Option code

No designation: Pressure adjusting handle type
 <With gasket mount type (G)>
 Pressure adjusting screw type
 <With stack type (S)>
 H: Pressure adjusting small handle type
 F: Screw adjusting type with a cap

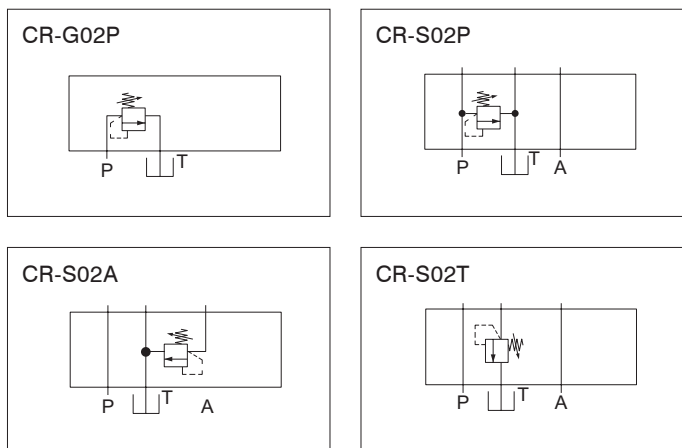
Note: *¹ A/T port control applies only to the stack type (S).

Specifications

Model code	Nominal diameter	Pressure adjustment range MPa {kgf/cm ² }	Maximum flow rate L/min	Mass kg
CR-G02P-1-10	¼	1.5 to 7 {15 to 70}	3	1
CR-G02P-2-10		1.5 to 16 {15 to 160}		
CR-G02P-3-10		1.5 to 25 {15 to 250}		
CR-G02P-4-10		1.5 to 31.5 {15 to 315}		
CR-S02*-1-10		1.5 to 7 {15 to 70}		
CR-S02*-2-10		1.5 to 16 {15 to 160}		
CR-S02*-3-10		1.5 to 25 {15 to 250}		
CR-S02*-4-10		1.5 to 31.5 {15 to 315}		

Model code	Pressure change MPa {kgf/cm ² } per handle revolution
CR-※02※-1	2.5 {25}/revolution
CR-※02※-2	4.6 {46}/revolution
CR-※02※-3	7.9 {79}/revolution
CR-※02※-4	9.1 {91}/revolution

JIS graphic symbols for hydraulic system



Accessories (gasket mount type)

Hexagon socket head cap bolt	Quantity	Tightening torque N·m {kgf·cm}
M5 × 40	4	5.5 to 7.5 {55 to 75}

Handling

- Directly connect the tank piping of the valve to the tank without merging it with other tank piping.
- Since excessive internal volume of the pilot piping may lead to vibration, use steel pipes with an inner diameter of 4 mm maximum and with thick walls for this piping.

Contact Details

Before using the product, please check the guide pages at the front of this catalog.

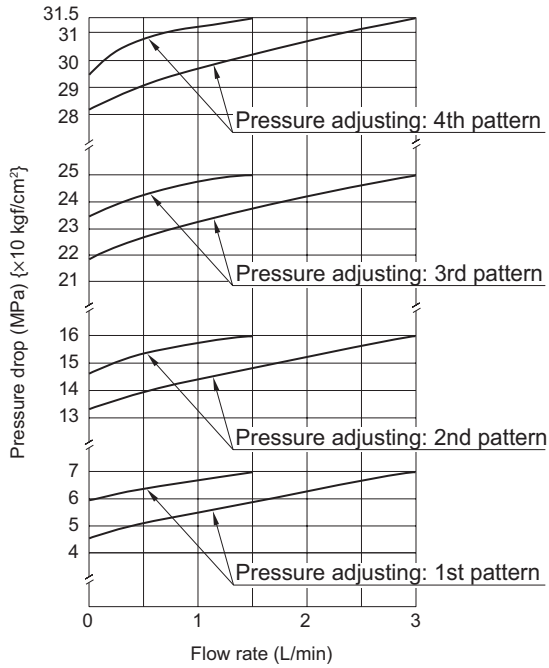
Internet

<https://www.daikinpmc.com/en/>

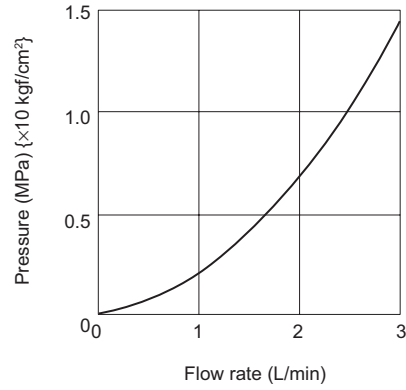
For latest information, PDF catalogs and operation manuals

Performance curves (viscosity: 32 mm²/s {cSt})

Flow rate - pressure characteristics

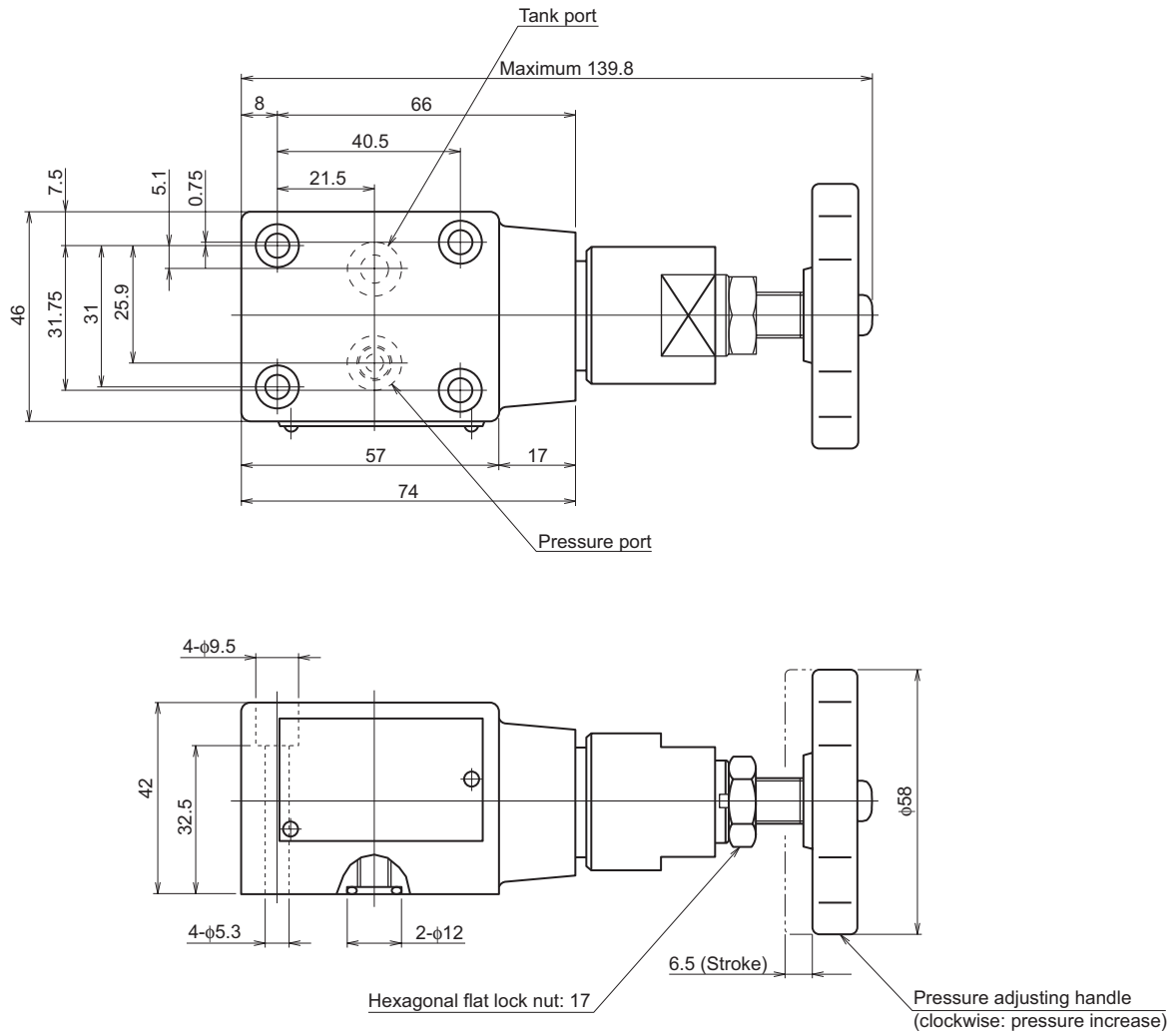


Pressure drop characteristics (with the handle fully open)



External dimension diagram

CR-G02P



Contact Details

Before using the product, please check the guide pages at the front of this catalog.

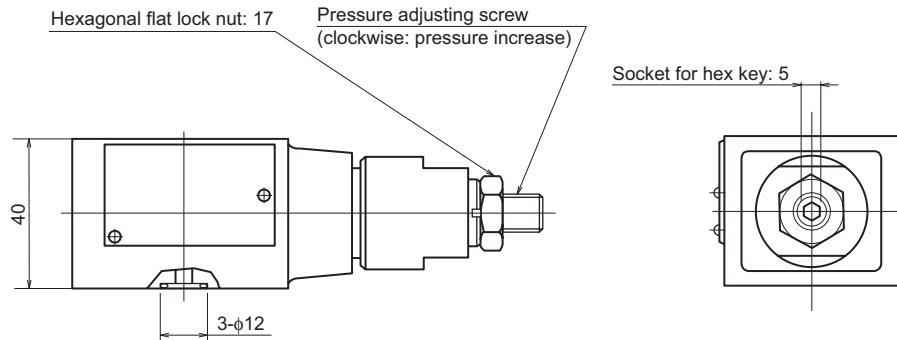
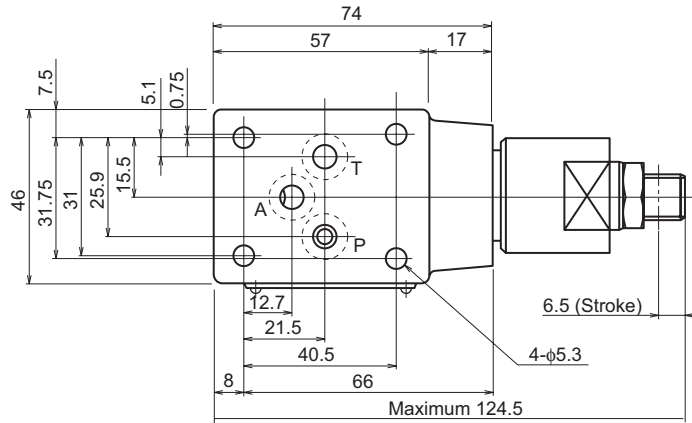
Internet

<https://www.daikinpmc.com/en/>

For latest information, PDF catalogs and operation manuals

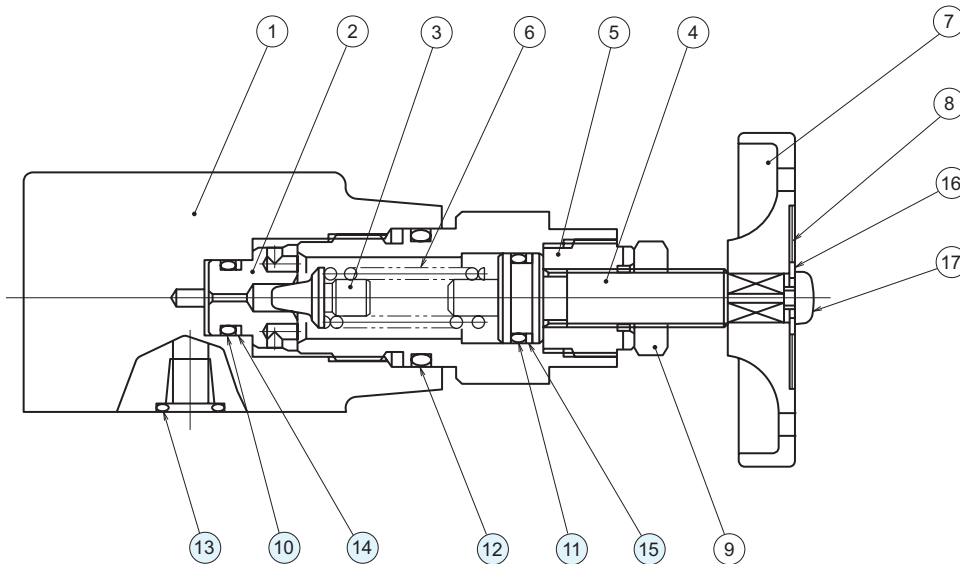
External dimension diagram

CR-S02



Sectional structural diagram

CR-G02P



Sealing part table

Part No.	Name	Quantity		Part specifications
		CR-G02P	CR-S02※	
10	O-ring	1	1	JIS B 2401 1BP10
11	O-ring	1	1	AS568-014 (NBR, Hs90)
12	O-ring	1	1	JIS B 2401 1BP20
13	O-ring	2	3	JIS B 2401 1BP9
14	Backup ring	1	1	JIS B 2407 Bias cut P10
15	Backup ring	1	1	Bias cut AS568-014