

## Contact Details

Before using the product, please check the guide pages at the front of this catalog.

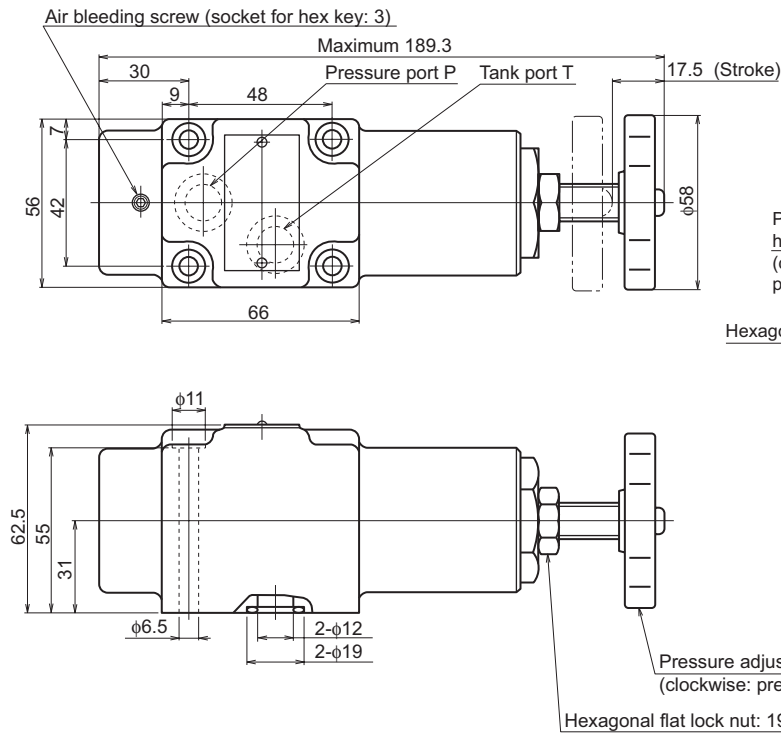
Internet

<https://www.daikinpmc.com/en/>

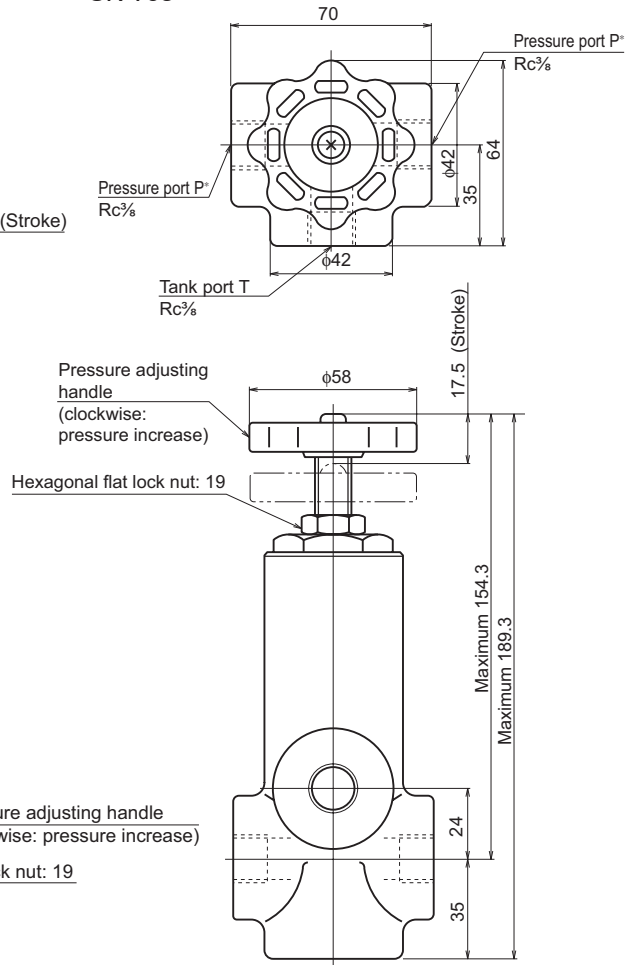
For latest information, PDF catalogs and operation manuals

## External dimension diagram

SR-G03



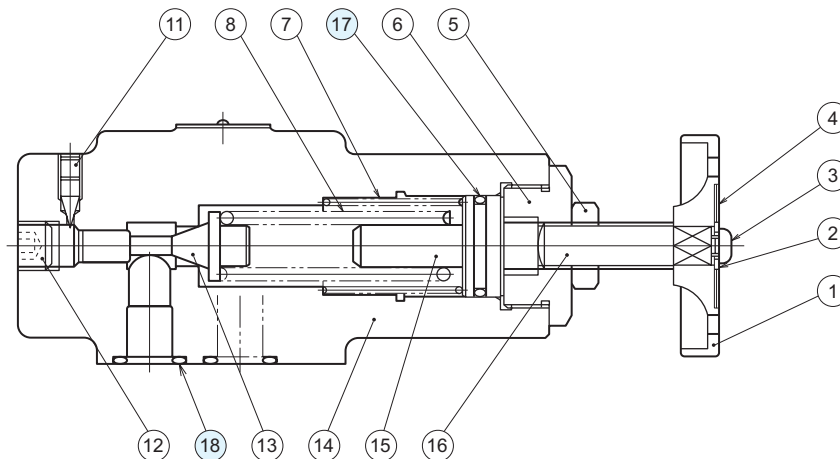
SR-T03



\* The P ports at both sides connect with each other internally.  
One can be used as a port for mounting a pressure gauge, for example.

## Sectional structural diagram

SR-G03



### Sealing part table

| Part No. | Name   | Quantity | Part specifications |                  |
|----------|--------|----------|---------------------|------------------|
|          |        |          | SR-G03              | SR-T03           |
| 17       | O-ring | 1        | JIS B 2401 1AP22    | JIS B 2401 1AP22 |
| 18       | O-ring | 2        | JIS B 2401 1AP15    | -                |