

Contact Details

Before using the product, please check the guide pages at the front of this catalog.

Internet

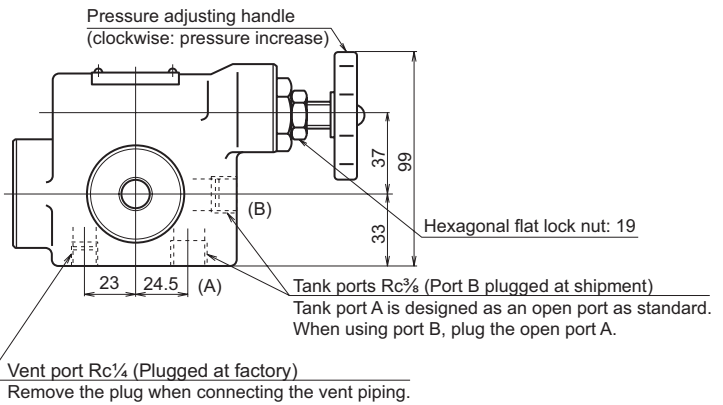
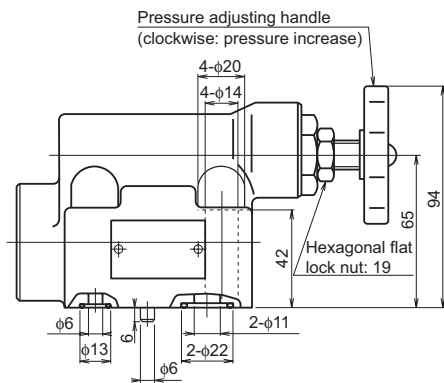
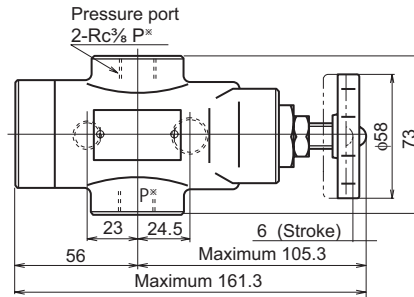
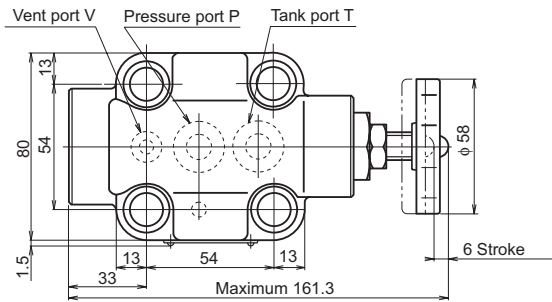
<https://www.daikinpmc.com/en/>

For latest information, PDF catalogs and operation manuals

External dimension diagram

HDRI-G03: Gasket mount type

HDRI-T03: Screw connection type

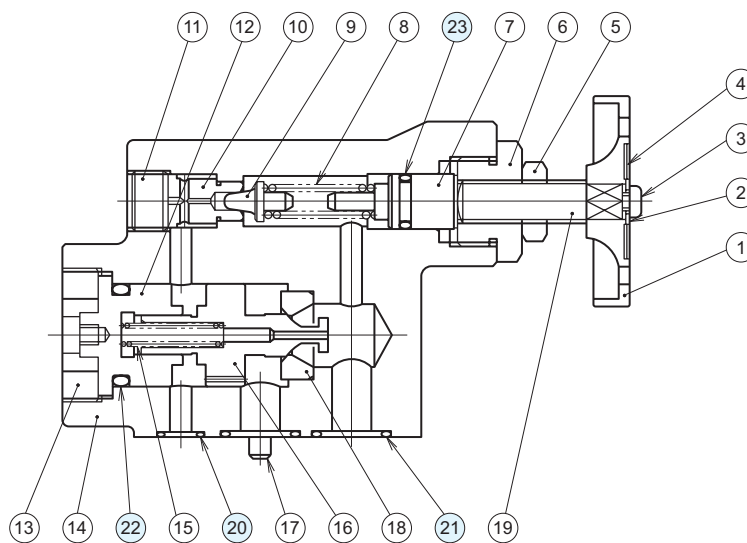


Mounting face (conforming standard)
ISO 6264-06-09-1-97

* The P ports at both sides connect with each other internally.
One can be used as a port for mounting a pressure gauge, for example.

Sectional structural diagram

HDRI-G03



Sealing part table

Part No.	Name	Quantity	Part specifications	
			HDRI-G03	HDRI-T03
20	O-ring	1	JIS B 2401 1BP10	-
21	O-ring	2	JIS B 2401 1BP18	-
22	O-ring	1	JIS B 2401 1BP22A	JIS B 2401 1BP22A
23	O-ring	1	JIS B 2401 1AP11	JIS B 2401 1AP11