

Contact Details

Before using the product, please check the guide pages at the front of this catalog.

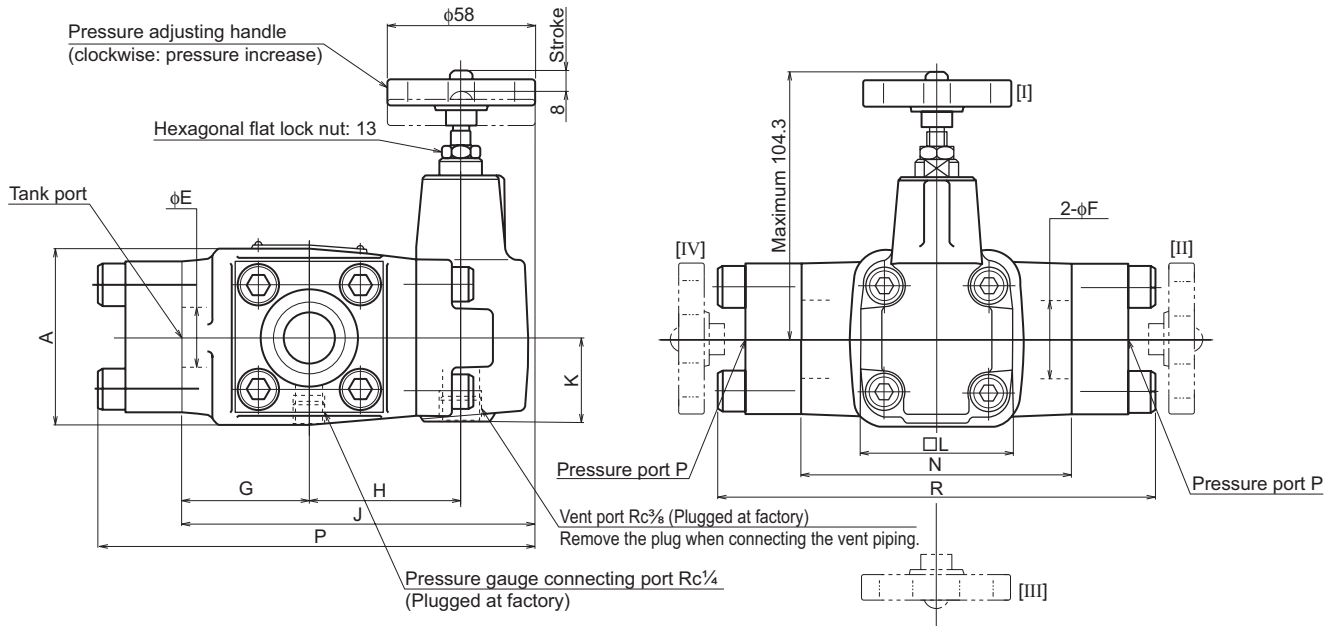
Internet

<https://www.daikinpmc.com/en/>

For latest information, PDF catalogs and operation manuals

External dimension diagram

JRB-F※※-※※

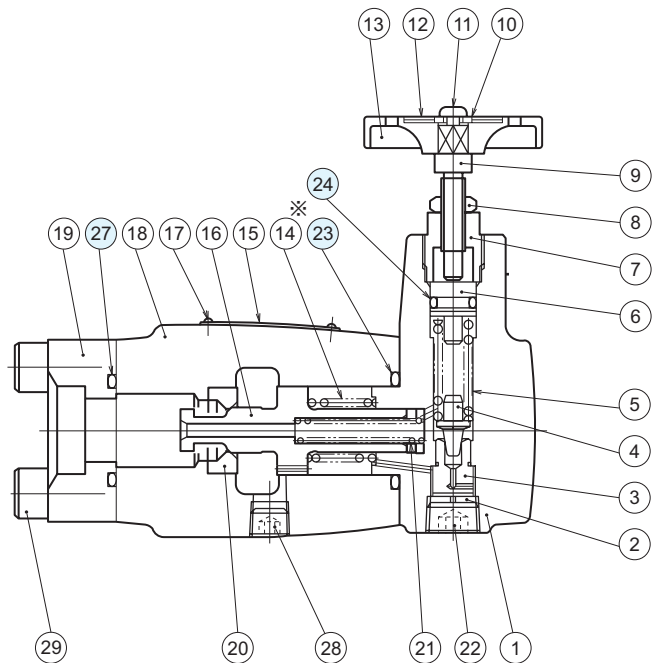
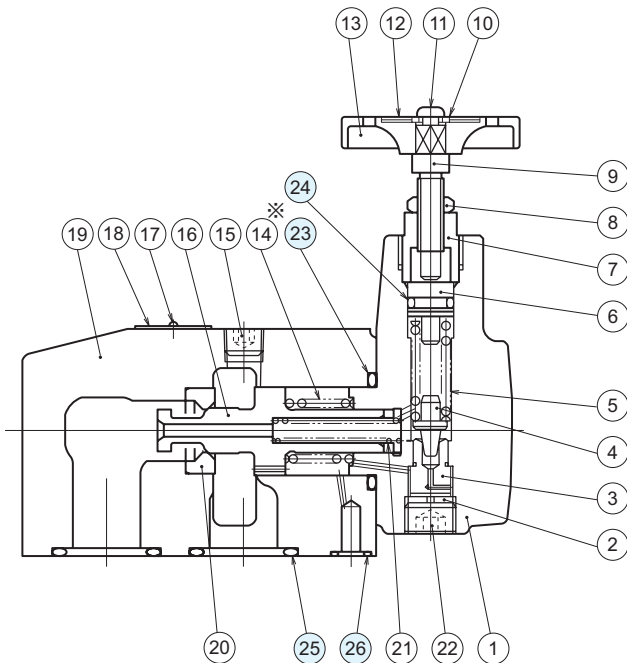


Model No.	A	E	F	G	H	J	K	L	N	P	R	Flange (pair)	Hexagon socket head cap bolt
JRB-F06	74	23	20	50	59.5	138.5	32.5	60	106	170.5	170	JIS B 2291 SSA20, 3 pcs.	M10 × 40, 12 pcs.
JRB-F10	100	31	31	75	71.5	175.5	47	94	132	215.5	212	JIS B 2291 SSA32, 3 pcs.	M12 × 45, 12 pcs.
JRB-F16	120	50	40	71.5	105	206.5	59	118	140	258.5	244	JIS B 2291 SSA50, 3 pcs.	M16 × 60, 12 pcs.

Sectional structural diagram

JRB-G※※

JRB-F※※



※ Spring (14) is only applicable with the high-vent type.

Sealing part table

Part No.	Name	Quantity	Part specifications						
			JRB-G06	JRB-G10	JRB-T06	JRB-T10	JRB-F06	JRB-F10	JRB-F16
23	O-ring	1	JIS B 2401 1BP31	JIS B 2401 1BP42	JIS B 2401 1BP31	JIS B 2401 1BP42	JIS B 2401 1BP31	JIS B 2401 1BP42	JIS B 2401 1BG60
24	O-ring	1	JIS B 2401 1AP11	JIS B 2401 1AP11	JIS B 2401 1AP11	JIS B 2401 1AP11	JIS B 2401 1AP11	JIS B 2401 1AP11	JIS B 2401 1AP11
25	O-ring	2	JIS B 2401 1BG30	JIS B 2401 1BG35	-	-	-	-	-
26	O-ring	1	JIS B 2401 1BP10	JIS B 2401 1BP10	-	-	-	-	-
27	O-ring	3	-	-	-	-	JIS B 2401 1BG30	JIS B 2401 1BG40	JIS B 2401 1BG60