

## Contact Details

Before using the product, please check the guide pages at the front of this catalog.

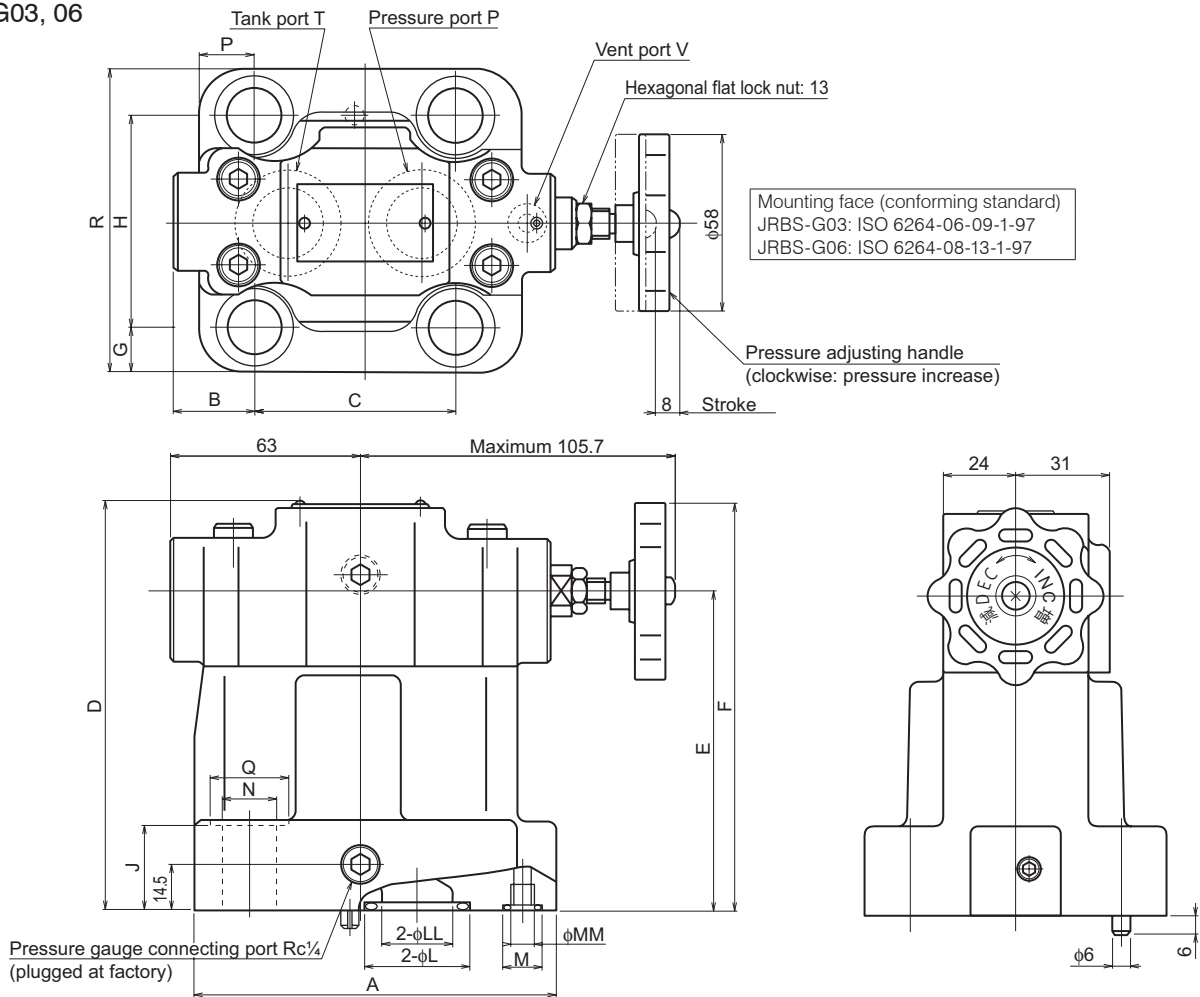
Internet

<https://www.daikinpmc.com/en/>

For latest information, PDF catalogs and operation manuals

## External dimension diagram

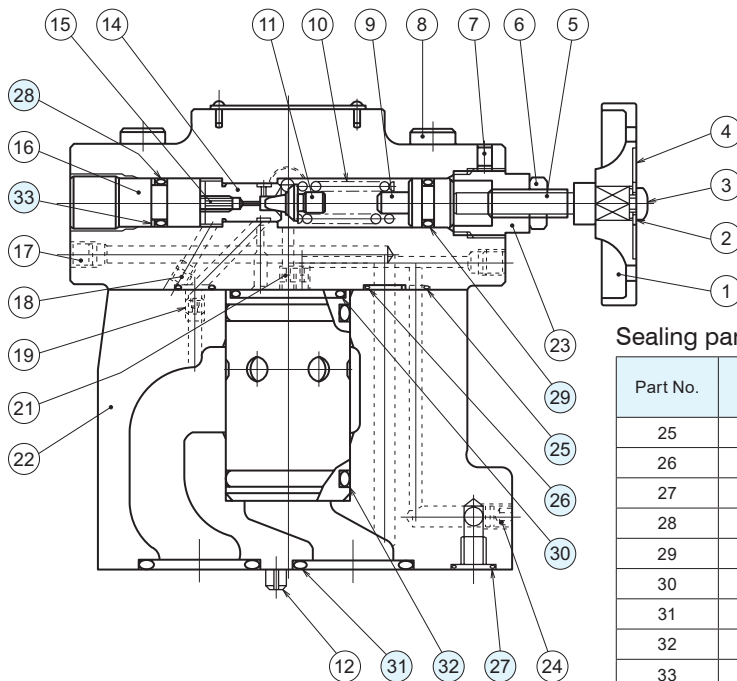
JRBS-G03, 06



Model No.	A	B	C	D	E	F	G	H	J	$\phi L$	$\phi M$	$\phi N$	P	$\phi Q$	R	$\phi LL$	$\phi MM$
JRBS-G03	104	36.2	53.8	131.5	103	132	13.1	53.8	21.5	22	13	14	14.2	20	80	14.7	3.7
JRBS-G06	120	26.3	66.7	133.5	105	134	15	70	28	35	13	18	18.3	26	100	23.4	NPTF1/16

## Sectional structural diagram

JRBS-G03, 06



Sealing part table

Part No.	Name	Quantity	Part specifications	
			JRBS-G03	JRBS-G06
25	O-ring	1	JIS B 2401 1BP5	JIS B 2401 1BP5
26	O-ring	2	JIS B 2401 1BP9	JIS B 2401 1BP9
27	O-ring	1	JIS B 2401 1BP10	JIS B 2401 1BP10
28	O-ring	1	JIS B 2401 1BP10A	JIS B 2401 1BP10A
29	O-ring	1	JIS B 2401 1AP10A	JIS B 2401 1AP10A
30	O-ring	1	AS568-122 (NBR, Hs90)	AS568-122 (NBR, Hs90)
31	O-ring	2	JIS B 2401 1BP18	JIS B 2401 1BG30
32	O-ring	2	JIS B 2401 1BP30	JIS B 2401 1BP30
33	Backup ring	1	JIS B 2407 Bias cut P10A	JIS B 2407 Bias cut P10A