

Contact Details

Before using the product, please check the guide pages at the front of this catalog.

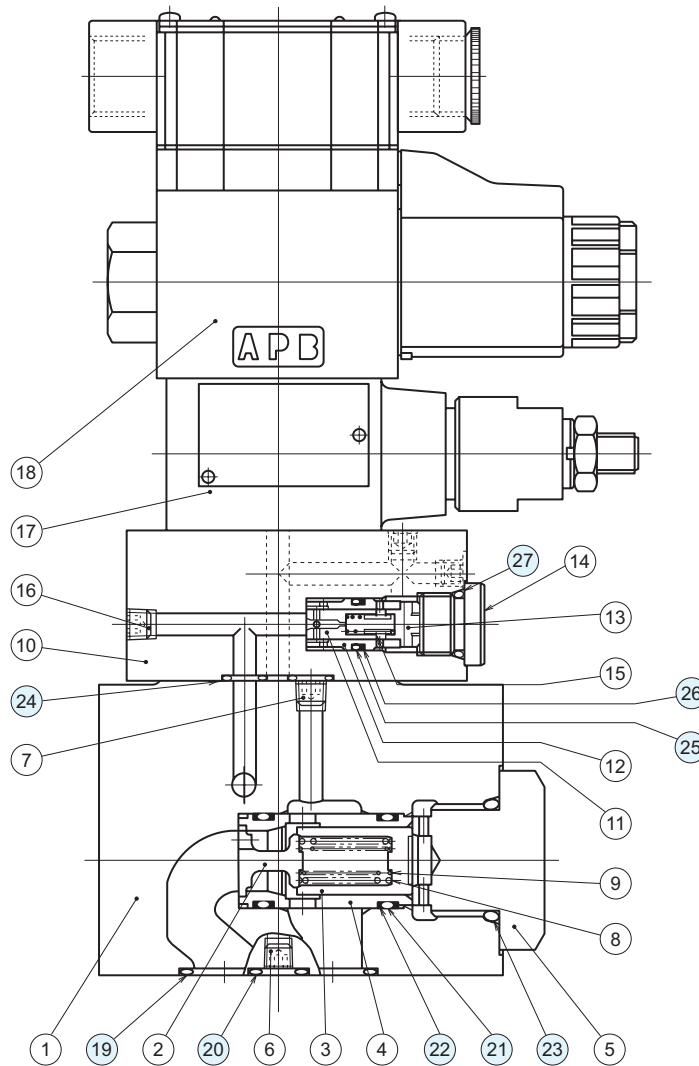
Internet

<https://www.daikinpmc.com/en/>

For latest information, PDF catalogs and operation manuals

Sectional structural diagram

C2RLS-G**



Sealing part table

Part No.	Name	Quantity	Part specifications	
			C2RLS-G03	C2RLS-G06
19	O-ring	2	JIS B 2401 1B P20	JIS B 2401 1B P28
20	O-ring	2	JIS B 2401 1B P12	JIS B 2401 1B P12
21	O-ring	2	AS568-020 (NBR, Hs90)	AS568-122 (NBR, Hs90)
22	Backup ring	4	Bias cut for AS568-020	Bias cut for AS568-122
23	O-ring	1	AS568-215 (NBR, Hs90)	AS568-222 (NBR, Hs90)
24	O-ring	4	JIS B 2401 1B P9	JIS B 2401 1B P9
25	O-ring	1	AS568-013 (NBR, Hs90)	AS568-013 (NBR, Hs90)
26	Backup ring	1	Bias cut for AS568-013	Bias cut for AS568-013
27	O-ring	1	JIS B 2401 1B P14	JIS B 2401 1B P14