

Contact Details

Before using the product, please check the guide pages at the front of this catalog.

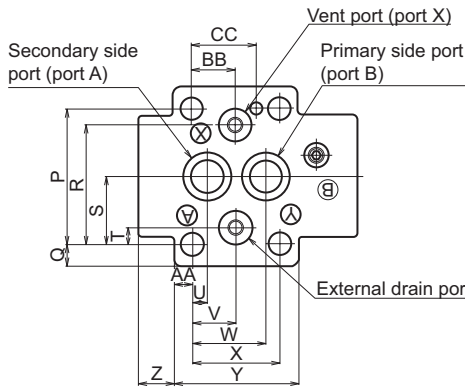
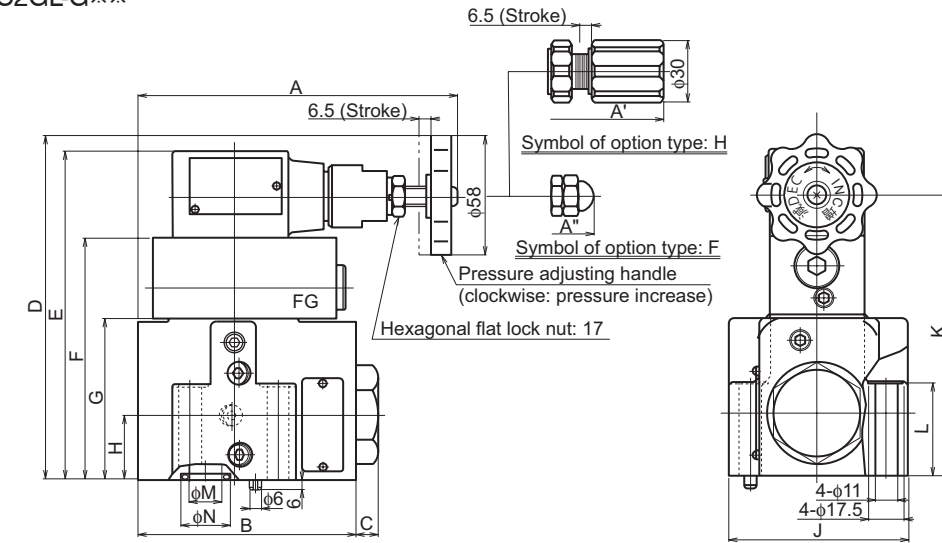
Internet

<https://www.daikinpmc.com/en/>

For latest information, PDF catalogs and operation manuals

External dimension diagram

C2GL-G**



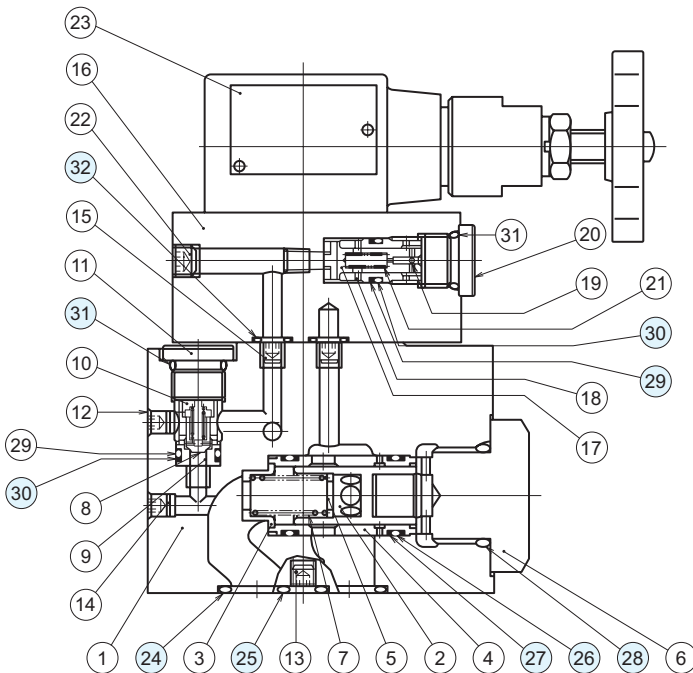
Model No.	Dimensions														
	A	A'	A''	B	C	D	E	F	G	H	J	K	L	N	
C2GL-G03	157.8	182	147.5	107	11	166	159	117	77	30	88	137	44	16	24
C2GL-G06	167.3	191.5	157	127	14	184	177	135	95	40	102	155	59	24	34

Model No.	Dimensions													
	P	Q	R	S	T	U	V	W	X	Y	Z	AA	BB	CC
C2GL-G03	66.7	10.65	58.7	33.3	7.9	7.1	21.4	35.7	42.9	61	17	9.05	21.4	31.8
C2GL-G06	79.4	11.3	73	39.7	6.4	11.1	39.7	49.2	60.3	82	16	10.85	20.8	44.5

Mounting face (conforming standard)
 C2GL-G03: ISO 5781-06-07-0-00
 C2GL-G06: ISO 5781-08-10-0-00

Sectional structural diagram

C2GL-G**



Sealing part table

Part No.	Name	Quantity	Part specifications	
			C2GL-G03	C2GL-G06
24	O-ring	2	JIS B 2401 1B P20	JIS B 2401 1B P28
25	O-ring	2	JIS B 2401 1B P12	JIS B 2401 1B P12
26	O-ring	2	AS568-020 (NBR, Hs90)	AS568-122 (NBR, Hs90)
27	Backup ring	4	Bias cut for AS568-020	Bias cut for AS568-122
28	O-ring	1	AS568-215 (NBR, Hs90)	AS568-222 (NBR, Hs90)
29	O-ring	2	AS568-013 (NBR, Hs90)	AS568-013 (NBR, Hs90)
30	Backup ring	2	Bias cut for AS568-013	Bias cut for AS568-013
31	O-ring	2	JIS B 2401 1B P14	JIS B 2401 1B P14
32	O-ring	4	JIS B 2401 1B P9	JIS B 2401 1B P9