

Contact Details

Before using the product, please check the guide pages at the front of this catalog.

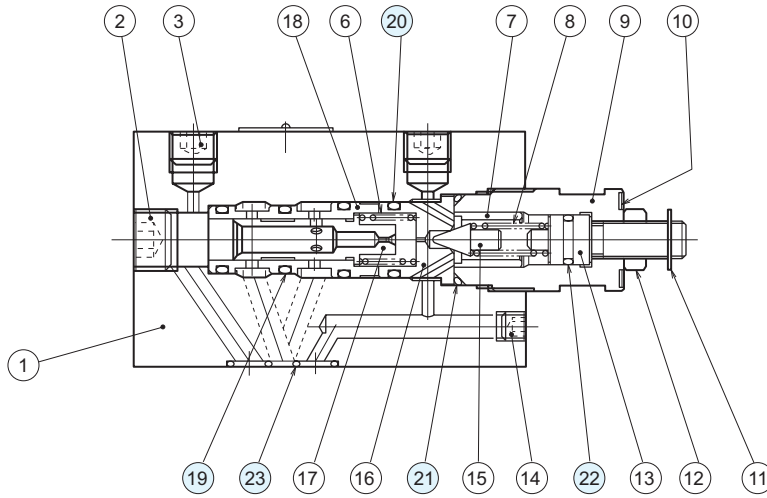
Internet

<https://www.daikinpmc.com/en/>

For latest information, PDF catalogs and operation manuals

Sectional structural diagram

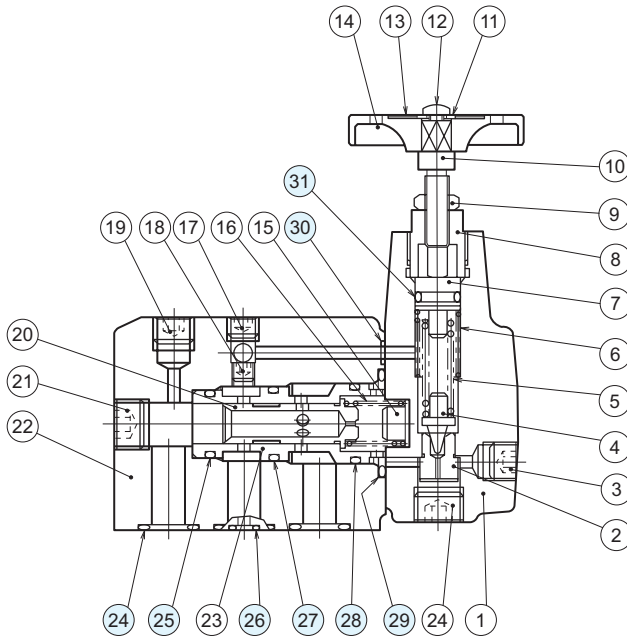
SGR-G02-※



Sealing part table

Part No.	Name	Quantity	Part specifications
19	O-ring	2	JIS B 2401 1A P14
20	O-ring	2	JIS B 2401 1A P16
21	O-ring	1	JIS B 2401 1A P20
22	O-ring	1	JIS B 2401 1A P10
23	O-ring	4	JIS B 2401 1B P9

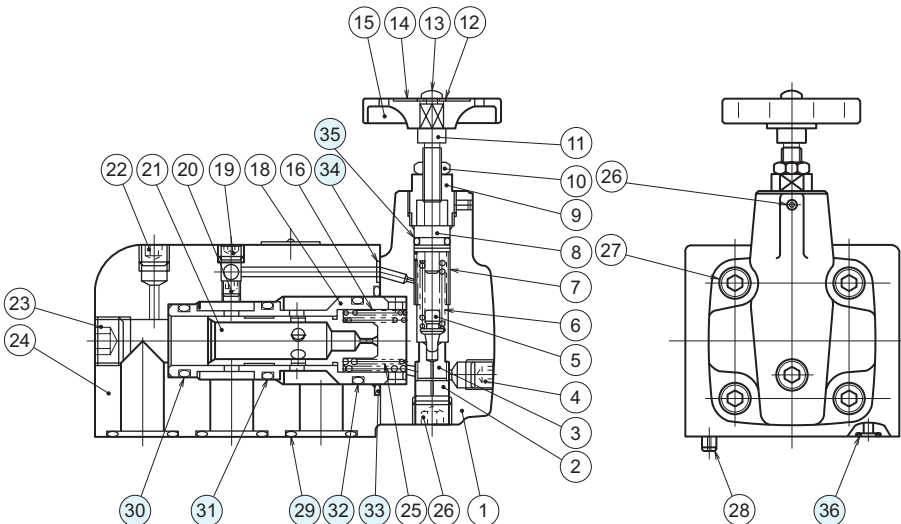
SGR-G03-1



Sealing part table

Part No.	Name	Quantity	Part specifications
24	O-ring	3	JIS B 2401 1B P16
25	O-ring	1	JIS B 2401 1A P18
26	O-ring	1	JIS B 2401 1A P7
27	O-ring	1	JIS B 2401 1A P20
28	O-ring	1	JIS B 2401 1A P22
29	O-ring	1	JIS B 2401 1A G30
30	O-ring	1	JIS B 2401 1A P5
31	O-ring	1	JIS B 2401 1A P11

SGR-G06-※



Sealing part table

Part No.	Name	Quantity	Part specifications
29	O-ring	3	JIS B 2401 1B G25
30	O-ring	1	JIS B 2401 1B P24
31	O-ring	1	JIS B 2401 1B P26
32	O-ring	1	JIS B 2401 1B P30
33	O-ring	1	JIS B 2401 1B G40
34	O-ring	1	JIS B 2401 1B P6
35	O-ring	1	JIS B 2401 1B P11
36	O-ring	1	JIS B 2401 1B P7