

## Contact Details

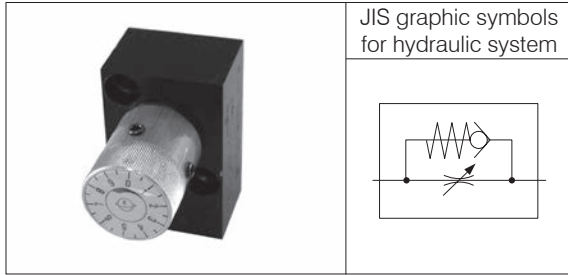
Before using the product, please check the guide pages at the front of this catalog.

Internet

<https://www.daikinpmc.com/en/>

For latest information, PDF catalogs and operation manuals

# Compact Throttle Valve with Check Valve



## Features

- The built-in check valve controls the flow in one direction while keeping free flow in the other direction.
- Capable of flow rate control of minimal flow rate to the fully closed state.

## Nomenclature

**TSC** - **※** **01** - **※** **※**

1                      2                      3                      4

### 1 Model No.

TSC: Compact throttle valve with check valve

### 2 Connections

G: Gasket mount type  
T: Screw connection type

### 3 Nominal diameter

01: 1/8

### 4 Design No. (The design No. is subject to change)

No designation: Screw connection type (T) connection  
11: Gasket mount type (G) connection

## Specifications

Model code	Nominal diameter	Maximum operating pressure MPa {kgf/cm <sup>2</sup> }	Maximum control flow rate L/min	Check valve Cracking pressure MPa {kgf/cm <sup>2</sup> }	Mass kg
TSC-G01-11	1/8	7 {70}	See the performance curves.	0.1 {1}	0.2
TSC-T01				0.08 {0.8}	0.1

## Accessories (gasket mount type)

Hexagon socket head cap bolt	Quantity	Tightening torque N·m {kgf·cm}
M5 × 22	2	5.5 to 7.5 {55 to 75}

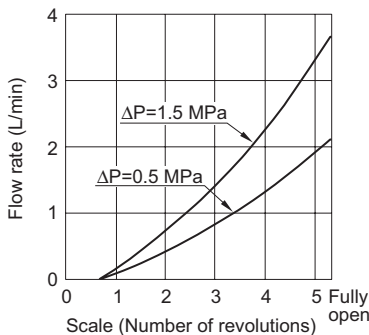
## Handling

- Turning the flow rate adjusting handle counterclockwise increases the flow rate. After adjusting the flow rate, tighten the handle locking screw to keep the adjusted position.
- The handle locking screw stops the handle from coming off, so do not loosen it too far.
- There is no special sub-plate provided.

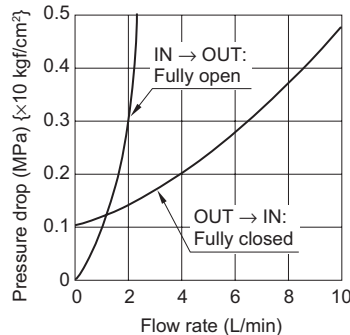
## Performance curves (viscosity: 32 mm<sup>2</sup>/s {cSt})

### ● TSC-G01

#### Scale - Flow rate characteristics

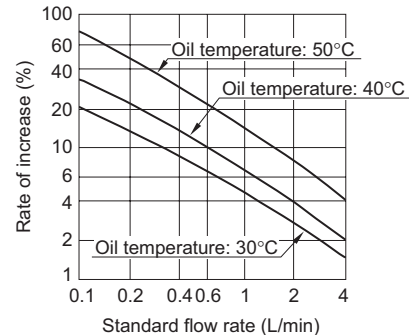


#### Pressure drop characteristics



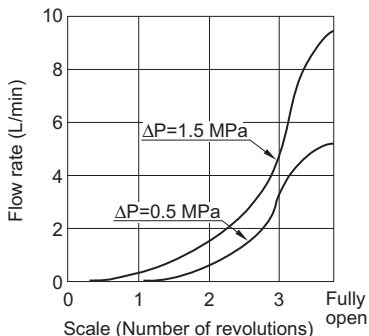
### ● TSC-※01

#### Fluid temperature - Flow rate characteristics

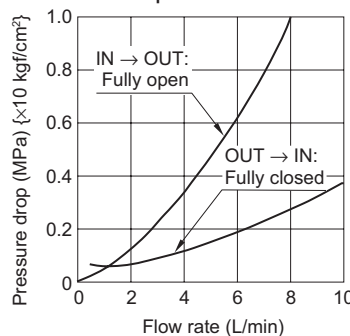


### ● TSC-T01

#### Scale - Flow rate characteristics



#### Pressure drop characteristics



Conditions for the fluid temperature - Flow rate characteristics curve

Oil usable	Equivalent to ISO VG32
Pressure difference between inlet and outlet ports	3 MPa {30 kgf/cm <sup>2</sup> }
Standard flow rate	Flow rate at fluid temperature of 20°C

## Contact Details

Before using the product, please check the guide pages at the front of this catalog.

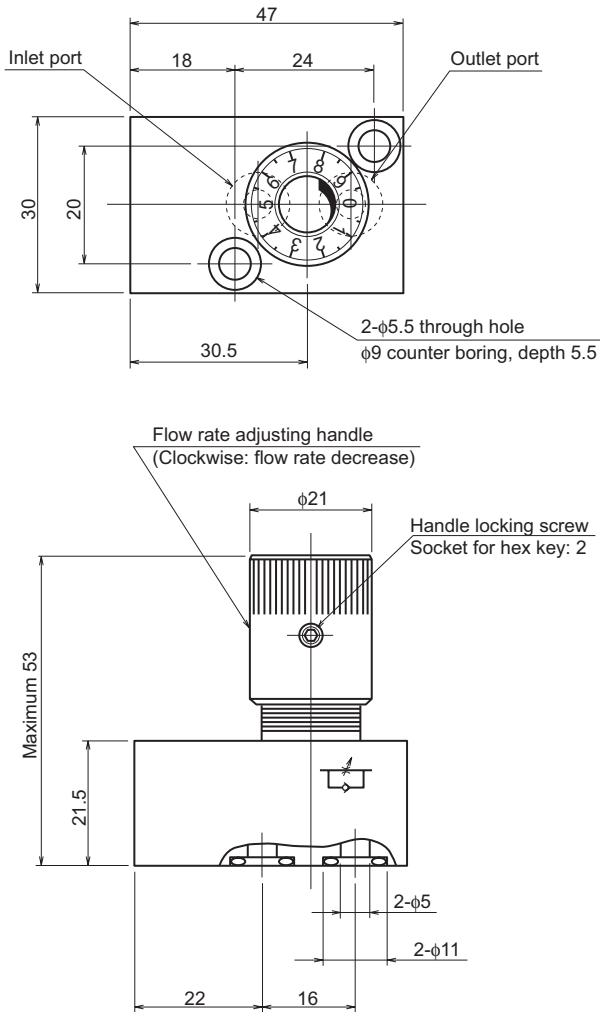
Internet

<https://www.daikinpmc.com/en/>

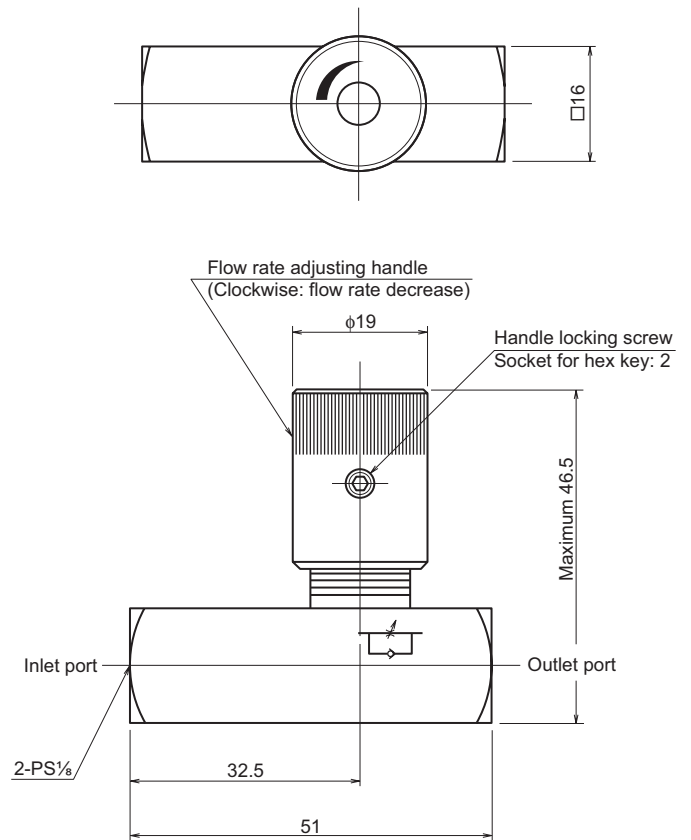
For latest information, PDF catalogs and operation manuals

## External dimension diagram

TSC-G01

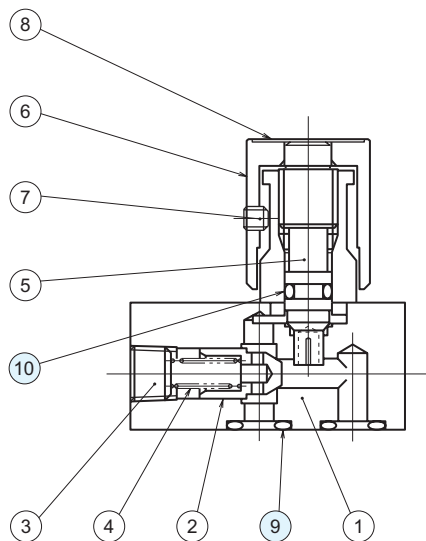


TSC-T01

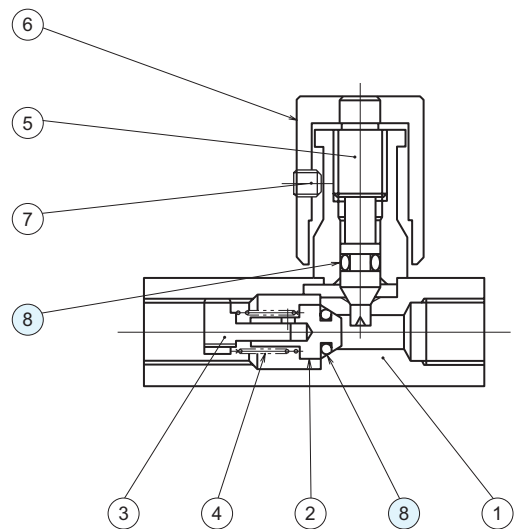


## Sectional structural diagram

TSC-G01



TSC-T01



Sealing part table

Part No.	Name	Quantity	Part specifications
9	O-ring	2	JIS B 2401 1B P8
10	O-ring	1	JIS B 2401 1B P5

Sealing part table

Part No.	Name	Quantity	Part specifications
8	O-ring	2	JIS B 2401 1B P3