

Contact Details

Before using the product, please check the guide pages at the front of this catalog.

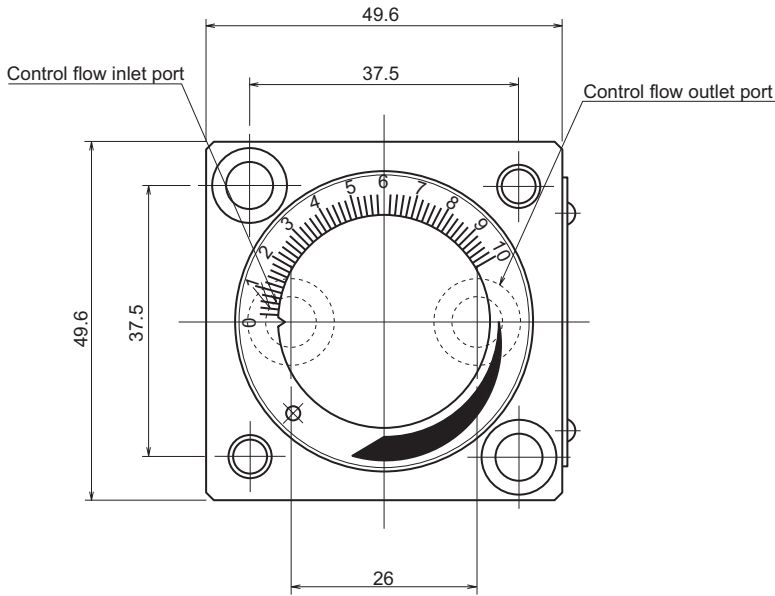
Internet

<https://www.daikinpmc.com/en/>

For latest information, PDF catalogs and operation manuals

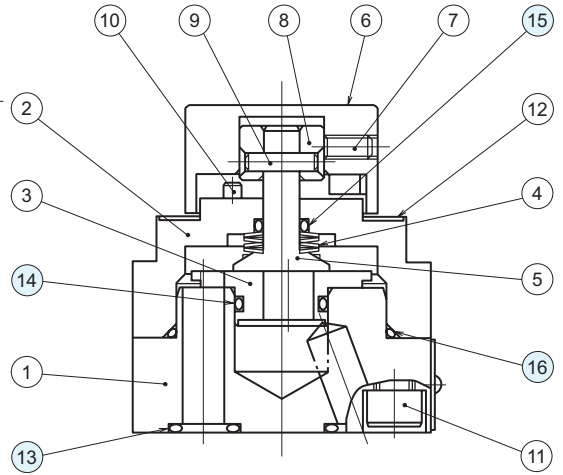
External dimension diagram

ST-G02

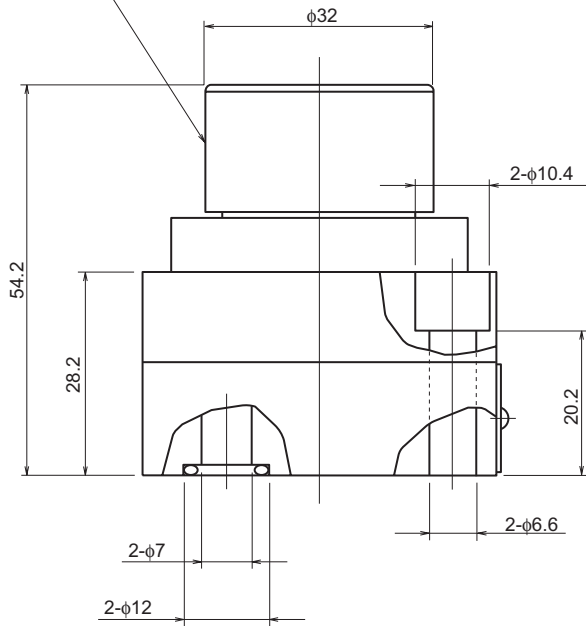


Sectional structural diagram

ST-G02



Flow rate adjusting handle
(Clockwise: flow rate increase)



Sealing part table

Part No.	Name	Quantity	Part specifications
13	O-ring	2	JIS B 2401 1A P9
14	O-ring	1	AS568-014 (NBR,Hs70)
15	O-ring	1	JIS B 2401 1A P6
16	O-ring	1	AS568-028 (NBR,Hs70)