

## Contact Details

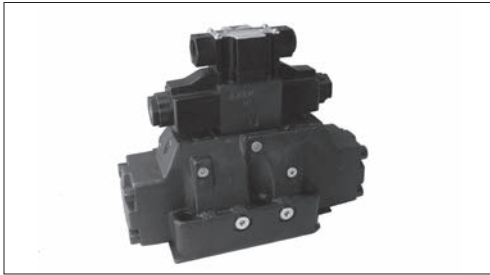
Before using the product, please check the guide pages at the front of this catalog.

Internet

<https://www.daikinpmc.com/en/>

For latest information, PDF catalogs and operation manuals

# Solenoid Pilot Operated Directional Control Valve



## Features

- These models realize high-pressure large-flow-rate control at 35 MPa {350 kgf/cm<sup>2</sup>} and 700 L/min.

## Nomenclature

※ - KSH - G 06 - ※※ ※ ※ - 20 - ※ ※ - ※  
1    2    3 4    5 6 7    8    9 10    11

### 1 Applicable fluid code

No designation: Petroleum-based hydraulic fluid  
Water-glycol hydraulic fluid  
F: Phosphate ester hydraulic fluid

### 2 Model No.

KSH: K series solenoid pilot operated directional control valve

### 3 Connections

G: Gasket mount type

### 4 Nominal diameter

06: ¾

### 5 Spool type (See the model table)

### 6 Spool operating method (See the model table)

C: Spring center type  
B: Spring offset type (with SOL.b)

### 7 Voltage code (See the voltage code table)

### 8 Design No. (The design No. is subject to change)

### 9 Main valve option code (See the option code table)

### 10 Solenoid pilot valve option code

Refer to the option code table for KSO-G02 on Page G-16.

### 11 Pilot stack valve code (See the option code table)

Note: 1. The maximum number of digit in the model code is limited to 23. Combining the codes for the specifications above may exceed the limit of 23 digits. In such cases, select the codes to be designated according to the functional importance of each specification and restrict the model code to 23 digits with the non-standard number appended. For the model codes in such cases, contact DAIKIN in each instance.  
2. The model nameplate is affixed to the pilot valve.

## Specifications

Model No.	Nominal diameter	Maximum operating pressure MPa {kgf/cm <sup>2</sup> }	Maximum flow rate L/min	Pilot pressure MPa {kgf/cm <sup>2</sup> } *1		Permissible back pressure MPa {kgf/cm <sup>2</sup> }		Maximum switching frequency times/minute
				(1)	(2)	External drain type	Internal drain type	
KSH-G06	¾	35 {350}	700	(1) 1.0 to 35 {10 to 350}	(2) 0.5 to 35 { 5 to 350}	35 {350}	16 {160}	120 *2

Note: \*1 The pilot pressure varies depending on the following structure.

(1)	For spool types other than 3 and 66
(2)	For spool types 3 and 66

Note: \*2 The maximum switching frequency of the DIN connector type with built-in surge killer (option code: N-CL(E)) is 100 times/min.

Refer to KSO-G02 on Page G-16 for the solenoid specifications.

Spool operating method	Fluid drainage volume at spool switching cm <sup>3</sup>
Type C	13.7
Type B	27.4

## 7: Voltage code table

Voltage code	Power supply voltage	Voltage code	Power supply voltage
A	AC 100 V (50/60 Hz), AC 110 V (60 Hz)	N	DC 12 V
B	AC 200 V (50/60 Hz), AC 220 V (60 Hz)	P	DC 24 V
C	AC 110 V (50 Hz)	Q	DC 48 V
D	AC 220 V (50 Hz)	R	DC 100 V
J	AC 240 V (50/60 Hz)	S	DC 110 V
K	AC 120 V (50/60 Hz)	T	DC 200 V
L	AC 115 V (50/60 Hz)	U	DC 220 V
M	AC 230 V (50/60 Hz)	E	AC 100 V (50/60 Hz) with rectifier
		F	AC 110 V (50/60 Hz) with rectifier
		G	AC 200 V (50/60 Hz) with rectifier
		H	AC 220 V (50/60 Hz) with rectifier

See the solenoid specification table for KSO-G02 on Page G-16 for solenoid specifications.

## Contact Details

Before using the product, please check the guide pages at the front of this catalog.

Internet

<https://www.daikinpmc.com/en/>

For latest information, PDF catalogs and operation manuals

## 9 10 11: Option code table

9 Code	Option details
No designation	Internal pilot, external drain type
X	Internal pilot, internal drain type
Y	External pilot, external drain type
Z	External pilot, internal drain type
T	With check valve for pilot pressure

11 Code	Option details *3
No designation	Without stack valve
W	With MT-02W-60
R	With MG-02P-1-60-S02
RR	With MG-02P-1-60-R02
G	With MT-02W-60, MG-02P-1-60-S02
GR	With MT-02W-60, MG-02P-1-60-R02

Note: ○ If two or more options are selected, sort the option codes, separately for option types 9 and 10, in alphabetical order.

○ When using spool type 3 or 66 as the internal pilot type, select the main valve option specifications with a check valve for pilot pressure (option code: T).

\*3 With MT-02W-60:

To be selected for applications where shocks at switching need to be suppressed

With MG-02P-1-60-×02: To be selected to restrict the pilot pressure to 7 MPa {70 kgf/cm<sup>2</sup>} maximum

## Mass (kg)

Details		AC	DC, with rectifier
Terminal box type	Double solenoid	14.8	15.2
	Single solenoid	14.5	14.7
DIN connector type	Double solenoid	14.8	15.1
	Single solenoid	14.4	14.6
Lead wire type	Double solenoid	14.7	15.0
	Single solenoid	14.4	14.5

Note: With the following options, the mass will be increased by the mass given for each option.

Details	Code	Mass kg
With MT-02W-60	W	1.4
With MG-02P-1-60-×02	R, RR	1.3
With MT-02W-60, MG-02P-1-60-×02	G, GR	2.7

## Solenoid pilot valve model code

Model code	Applicable solenoid model code (×: Voltage code)
KSH-G06-××C×-20	KSO-G02-4C×-30
KSH-G06-××B×-20	KSO-G02-2B×-30

## Accessories

Hexagon socket head cap bolt	Quantity	Tightening torque N·m {kgf·cm}
M12 × 60	6	90 to 100 {900 to 1000}

## Sub-plate model code

● The sub-plate is not provided with the valve. Order it separately if required by specifying the model code given in the table below.

Model code	Nominal diameter	Connection port diameter	Mass kg
JS-06M	¾	Rc¾	5.2
JS-06M08		Rc1	

Refer to Page S-10 for the dimensions of the sub-plate.

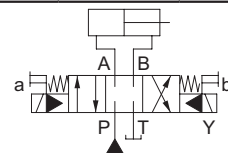
DIRECTIONAL CONTROL VALVES | G

## 5 6: Model table

Model code	JIS graphic symbols for hydraulic system	Maximum flow rate See the Pressure - Flow rate characteristics	Pressure drop characteristics (See the performance curves)		
			P → A P → B	A → T B → T	P → T
KSH-G06-2C		B	(5) (5)	(5) (4)	-
KSH-G06-3C		A	(4)	(4)	(3)
KSH-G06-4C		A	(5)	(2) (3)	-
KSH-G06-66C		A	(2)	(4) (3)	(1)
KSH-G06-2B		B	(5)	(5) (4)	-
KSH-G06-3B		A	(4)	(4)	(3)

Note: 1. In the transient period of switching, all ports are blocked with spool type 66C.

2. The maximum flow rates given in the table above are the values with the flow P → A → B → T (or P → B → A → T) as shown in the diagram to the right.



## Contact Details

Before using the product, please check the guide pages at the front of this catalog.

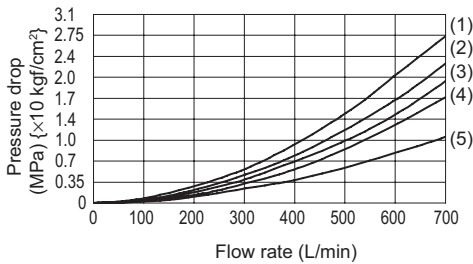
Internet

<https://www.daikinpmc.com/en/>

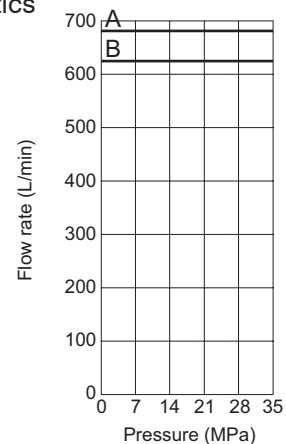
For latest information, PDF catalogs and operation manuals

## Performance curves (Viscosity: 35 mm<sup>2</sup>/s {cSt})

### Pressure drop characteristics



### Pressure - Flow rate characteristics



Note: The operation time may change slightly depending on the conditions of use (pressure, flow rate, hydraulic fluid viscosity, etc.).

## Handling

### ● Pilot/drain types

The internal pilot and external drain type is standard. Set the pilot pressure such that the differential pressure between the pilot pressure and the back pressure of the drain line is no lower than the minimum pilot pressure.

Either the internal or external pilot and drain types can be set by fitting/removing plugs. (See the section below for details.)

### ● Pilot

- When using the product with spool type 3 or 66 as the internal pilot type, insert a resistance valve with a cracking pressure of 0.5 MPa minimum in the tank line and set it as the external drain type. Or, select the main valve option specifications with check valve for pilot pressure (option code: T).
- With the internal pilot type products, block the X port on the mounting face.

### ● Drainage

- Directly connect the drain piping to the tank without merging it with other tank piping.
- External pilot type products can be used as internal drain type regardless of the model.
- Internal pilot type products can be used as internal drain type when the spool type is 2, or 4.
- With internal drain type products, block the Y port on the mounting face.

### ● Tightening torque of pilot valve mounting bolts (M5): 6.5 to 8.5 N·m {65 to 85 kgf·cm}

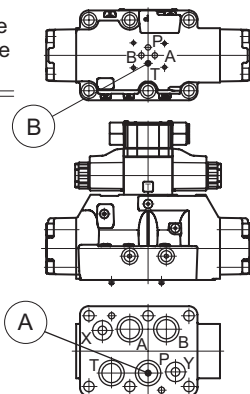
## Pilot/drain type setting guide

- Either the internal or external pilot and drain types can be set by fitting/removing plugs.

When changing the pilot setting from internal pilot type to external pilot type, one additional dry seal taper thread plug (NPTF 1/16) will be necessary. Order one separately

When changing the drain setting from internal drain type to external drain type, one additional hexagon socket plug (M5 × 0.8) will be necessary. Order one separately.

View of the main valve from above without the solenoid pilot valve



### [Pilot/drain type setting guide]

Code	Pilot/drain type	Position A	Position B
No designation	Internal pilot, external drain	φ1.5 fixed throttle	With plug
X	Internal pilot, internal drain	φ1.5 fixed throttle	Without plug
Y	External pilot, external drain	With plug	With plug
Z	External pilot, internal drain	With plug	Without plug

### [Tightening torque at each section]

Product name	Tightening torque N·m {kgf·cm}
Hexagon socket head cap bolt (M5)	6.5 to 8.5 {65 to 85}
Hexagon socket plug (NPTF 1/16): Position A	5.1 to 5.9 {51 to 59}
Hexagon socket plug (M5 × 0.8): Position B	1.7 to 2.1 {17 to 21}

Note: Do not wrap the plugs with sealing tape.

Note: When fitting a hexagon socket plug (M5 × 0.8) at position B, apply Loctite #222 or an equivalent thread locking agent to the thread.

Note: When removing the hexagon socket plug (M5 × 0.8), remove the Loctite completely.

## Contact Details

Before using the product, please check the guide pages at the front of this catalog.

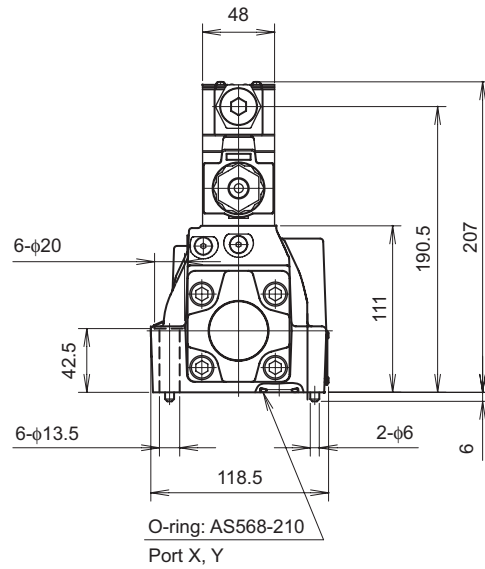
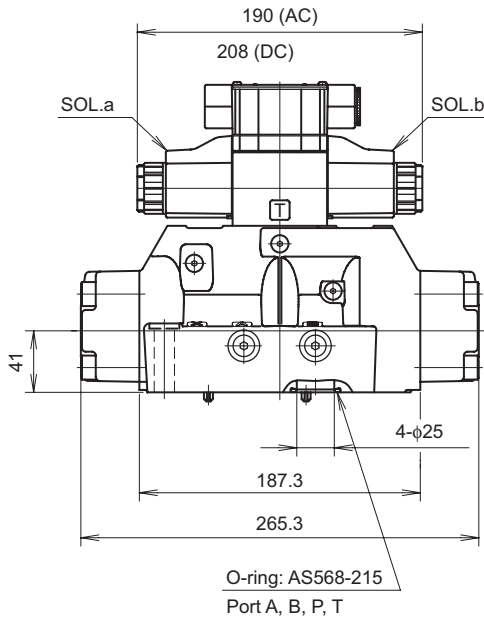
Internet

<https://www.daikinpmc.com/en/>

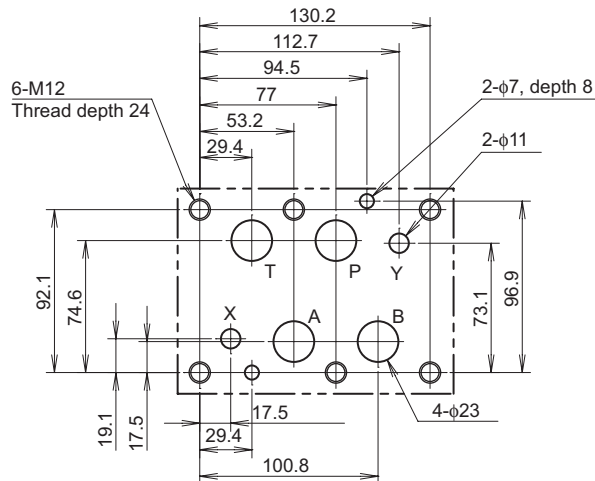
For latest information, PDF catalogs and operation manuals

## External dimension diagram

- Spring center type [Type C]  
(Hexagon socket head cap bolts used: M5 × 45, 4 pcs.)



Mounting face (conforming standard)  
ISO 4401-08-08-0-05



## Contact Details

Before using the product, please check the guide pages at the front of this catalog.

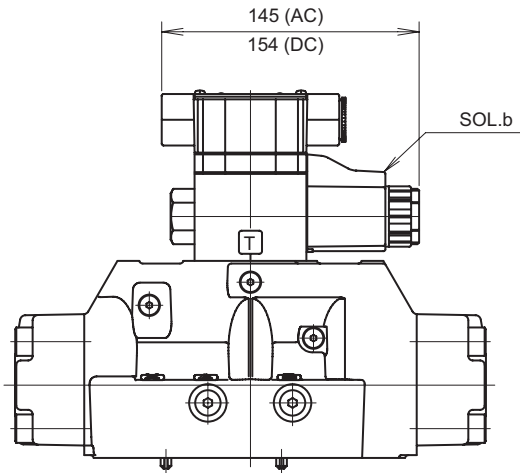
Internet

<https://www.daikinpmc.com/en/>

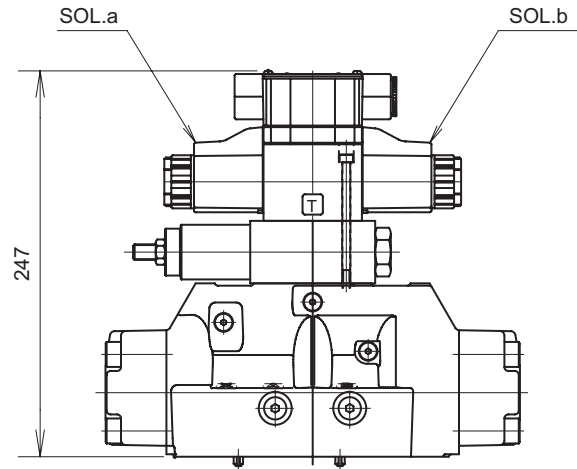
For latest information, PDF catalogs and operation manuals

## External dimension diagram

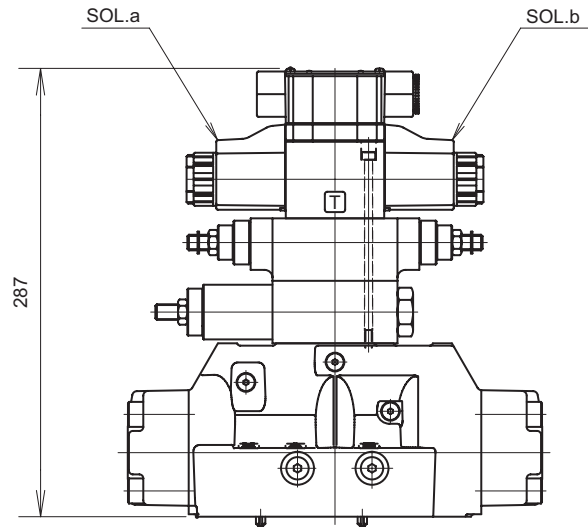
- Spring offset type (type B)  
(Hexagon socket head cap bolts used: M5 × 45, 4 pcs.)



- ★ 02 series stack valve added in the pilot line
- With MG-02P-1-60-※02 (type RRR)  
(Hexagon socket head cap bolts used: M5 × 85, 4 pcs.)



- MT-02W-60  
With MG-02P-1-60-※02 (type G, GR)  
(Hexagon socket head cap bolts used: M5 × 125, 4 pcs.)



- With MT-02W-60 (type W)  
(Hexagon socket head cap bolts used: M5 × 85, 4 pcs.)

