

Contact Details

Before using the product, please check the guide pages at the front of this catalog.

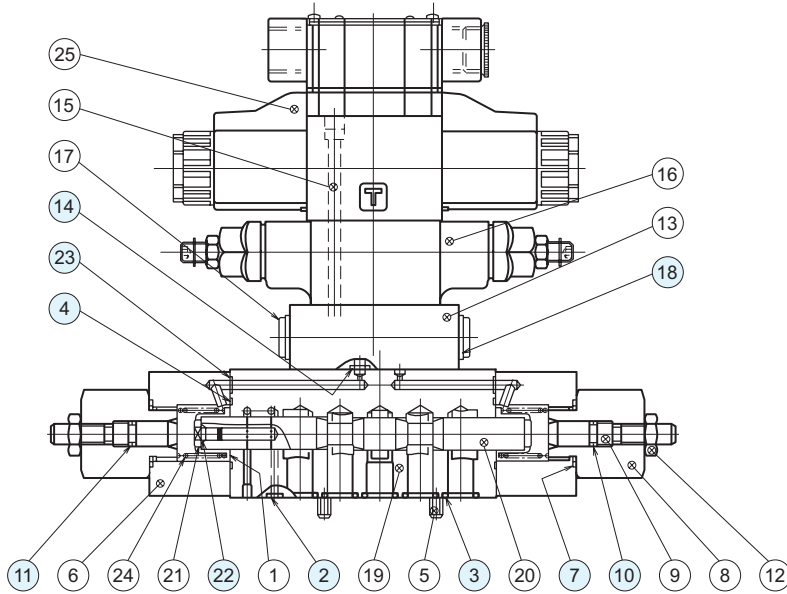
Internet

<https://www.daikinpmc.com/en/>

For latest information, PDF catalogs and operation manuals

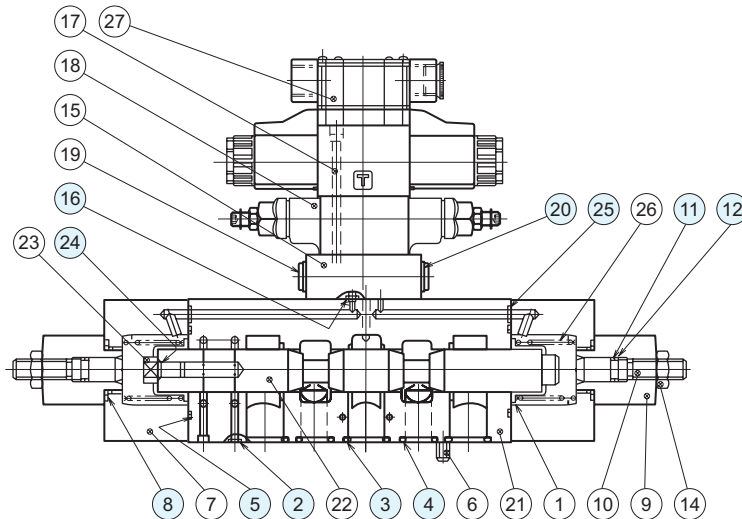
Sectional structural diagram

● MEP12, 16, 20



Part No.	Name	Quantity	Part specifications			Part specifications
			MEP-12	MEP-16	MEP-20	
2	O-ring	2	AS568-008	AS568-008	AS568-008	NBR, Hs90
3	O-ring	5	AS568-112	AS568-115	AS568-118	NBR, Hs90
4	O-ring	2	AS568-025	AS568-128	AS568-136	NBR, Hs90
7	O-ring	2	AS568-024	AS568-024	AS568-026	NBR, Hs90
10	O-ring	2	1B P9	1B P9	1B P12	JIS B 2401
11	Backup ring	2	P9	P9	P12	JIS B 2407 bias cut
14	O-ring	4	AS568-010	AS568-010	AS568-010	NBR, Hs90
18	Sealing washer	2	KP-C-02	KP-C-02	KP-C-02	
22	O-ring	1	1B P5	1B P5	1B P10A	JIS B 2401
23	O-ring	2	AS568-008	AS568-008	AS568-009	NBR, Hs90

● MEP25, 32



Part No.	Name	Quantity	Part specifications		Part specifications
			MEP-25	MEP-32	
2	O-ring	2	AS568-008	AS568-008	NBR, Hs90
3	O-ring	3	AS568-121	AS568-125	NBR, Hs90
4	O-ring	4	AS568-117	AS568-120	NBR, Hs90
5	O-ring	2	AS568-228	AS568-231	NBR, Hs90
8	O-ring	2	AS568-026	AS568-026	NBR, Hs90
11	O-ring	2	1B P12	1B P12	JIS B 2401
12	Backup ring	2	P12	P12	JIS B 2407 bias cut
16	O-ring	4	AS568-010	AS568-010	NBR, Hs90
20	Sealing washer	2	KP-C-02	KP-C-02	
24	O-ring	1	1B P10A	1B P12	JIS B 2401
25	O-ring	2	AS568-009	AS568-009	NBR, Hs90