

Contact Details

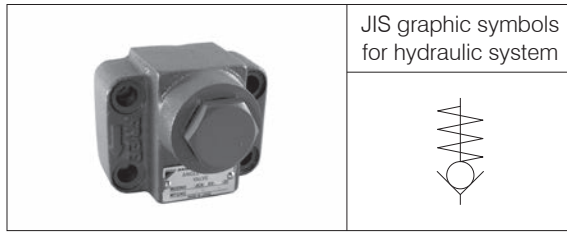
Before using the product, please check the guide pages at the front of this catalog.

Internet

<https://www.daikinpmc.com/en/>

For latest information, PDF catalogs and operation manuals

Right-angle Check Valve



JIS graphic symbols for hydraulic system

Features

- Installed in a hydraulic line perpendicular to the line, the check valve opens when the pressure reaches the cracking pressure, allowing fluid to flow only in one direction and blocking the flow in the reverse direction.

Nomenclature

※ - JCA - ※ ※ ※ - ※ ※ - 20
 1 2 3 4 5 6

1 Applicable fluid code

No designation: Petroleum-based hydraulic fluid, water-glycol hydraulic fluid

F: Phosphate ester hydraulic fluid

2 Model No.

JCA: J series right-angle check valve

3 Connections

G: Gasket mount type

T: Screw connection type

F: Flange connection type

4 Nominal diameter

03: $\frac{3}{8}$

06: $\frac{3}{4}$

10: $1\frac{1}{4}$

16: 2

24: 3

5 Cracking pressure code *1

04: 0.04 MPa {0.4 kgf/cm²}

50: 0.5 MPa {5 kgf/cm²}

6 Design No. (The design No. is subject to change)

Note: *1 See the cracking pressure table for cracking pressures other than those above.

Specifications

Model code	Nominal diameter	Maximum operating pressure MPa {kgf/cm ² }	Maximum flow rate L/min	Mass kg
JCA-G03-※※-20	$\frac{3}{8}$	25 {250}	60	1.7
JCA-T03-※※-20				0.9
JCA-G06-※※-20	$\frac{3}{4}$		200	2.9
JCA-T06-※※-20				1.7
JCA-F06-※※-20				3.7
JCA-G10-※※-20				400
JCA-T10-※※-20	500		5.6	
JCA-F10-※※-20			7.6	
JCA-F16-※※-20	800		20	
JCA-F24-※※-20	3		1600	62.5

Note: The mass of the flange mount type valve (F) includes the mass of the flange and bolts.

Handling

- Valves of cracking pressure type "0" (cracking pressure of 0 MPa {0 kgf/cm²}) need to be installed with the inlet port facing downward.

The gasket mount type valves need to be installed with the gasket mating face facing downward (horizontal orientation).

5: Cracking pressure table

Code	0	01	02	20	35
Model No.	Cracking pressure MPa {kgf/cm ² }				
	0 {0}	0.01 {0.1}	0.02 {0.2}	0.2 {2}	0.35 {3.5}
JCA-※03	✓	✓	✓	✓	✓
JCA-※06	✓	✓	–	✓	✓
JCA-※10	✓	–	–	✓	✓
JCA-F 16	✓	–	–	✓	✓
JCA-F 24	✓	–	–	✓	✓

Sub-plate model code

- The sub-plate is not provided with the valve. Order it separately as required by specifying the model code given in the table below.

Model code	Nominal diameter	Connection port diameter	Mass kg
JCP-03M	$\frac{3}{8}$	Rc $\frac{3}{8}$	1.6
JCP-03M04		Rc $\frac{1}{2}$	
JCP-06M	$\frac{3}{4}$	Rc $\frac{3}{4}$	2.4
JCP-06M08		Rc1	3
JCP-10M	$1\frac{1}{4}$	Rc $1\frac{1}{4}$	4.8
JCP-10M12		Rc $1\frac{1}{2}$	5.7

Refer to Page S-11 for the dimensions of the sub-plate.

Accessories

Connections	Model No.	Hexagon socket head cap bolt	Quantity	Tightening torque N·m {kgf·cm}
Gasket mount type	JCA-G03	M10 × 45	4	48 to 63 {480 to 630}
	JCA-G06	M10 × 50	4	48 to 63 {480 to 630}
	JCA-G10	M10 × 55	6	48 to 63 {480 to 630}
Flange connection type	Flange (JIS B 2291 SSA), O-ring, mounting bolts			

Contact Details

Before using the product, please check the guide pages at the front of this catalog.

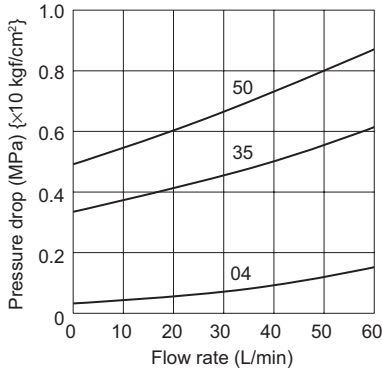
Internet

<https://www.daikinpmc.com/en/>

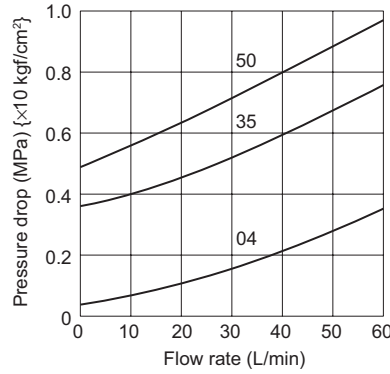
For latest information, PDF catalogs and operation manuals

Performance curves: Pressure drop characteristics (viscosity: 32 mm²/s {cSt})

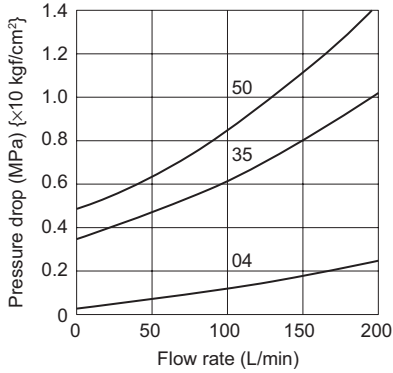
JCA-G03



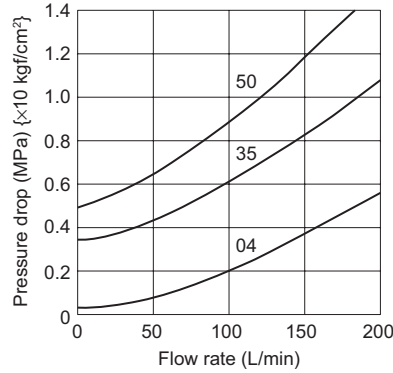
JCA-T03



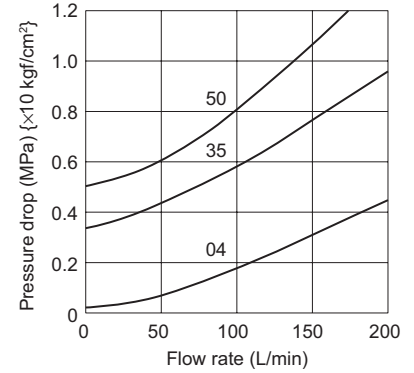
JCA-G06



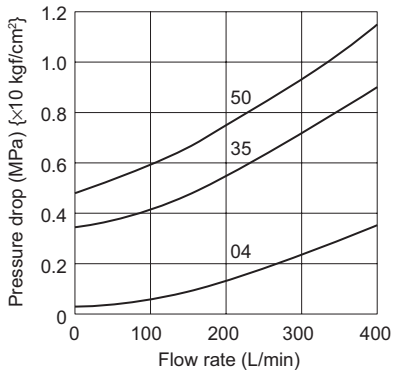
JCA-T06



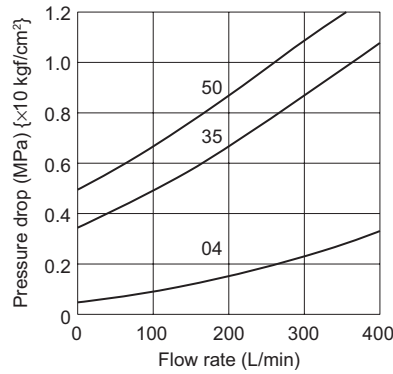
JCA-F06



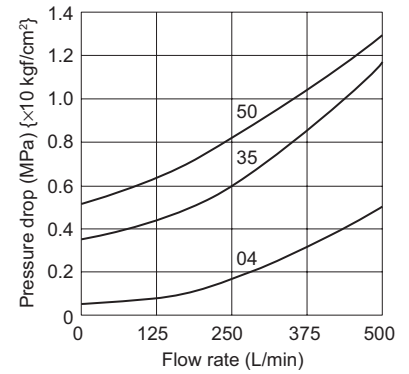
JCA-G10



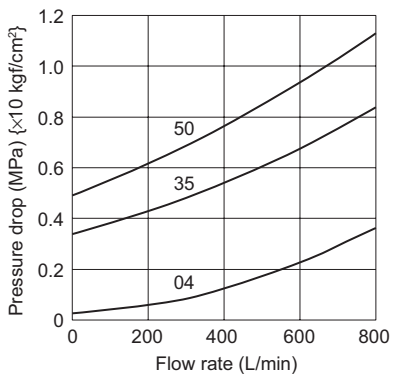
JCA-T10



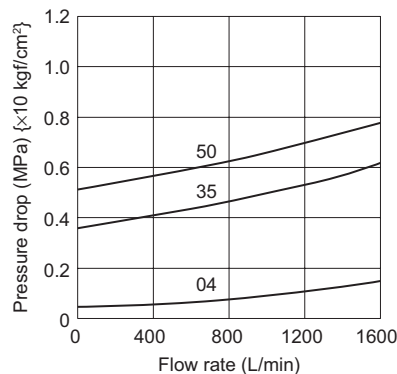
JCA-F10



JCA-F16



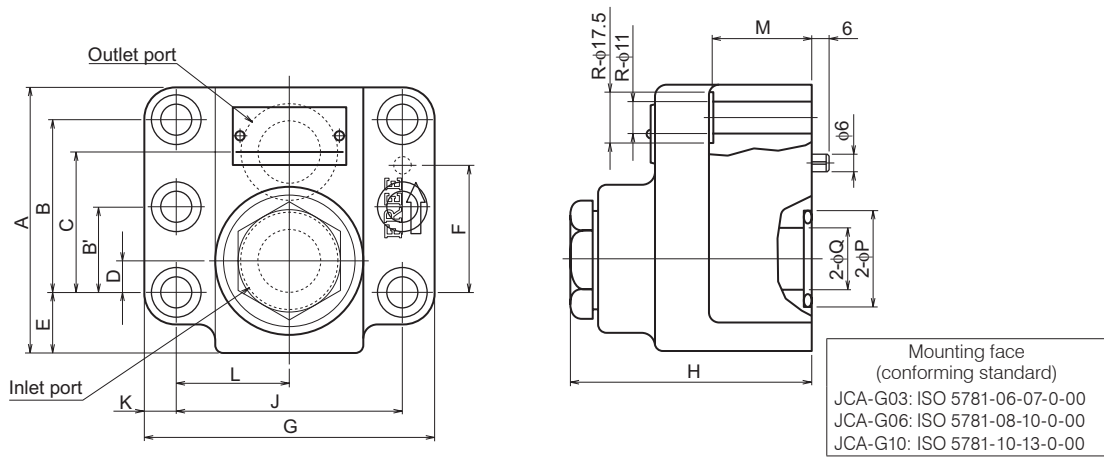
JCA-F24



DIRECTIONAL CONTROL VALVES II

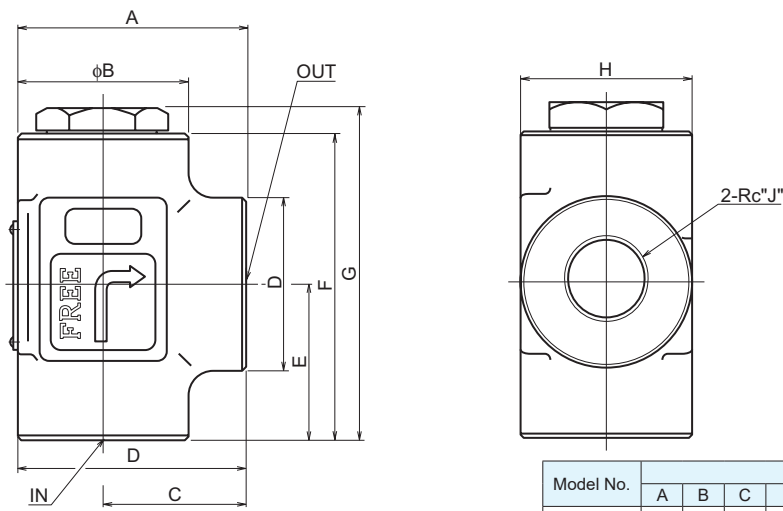
External dimension diagram

JCA-G**



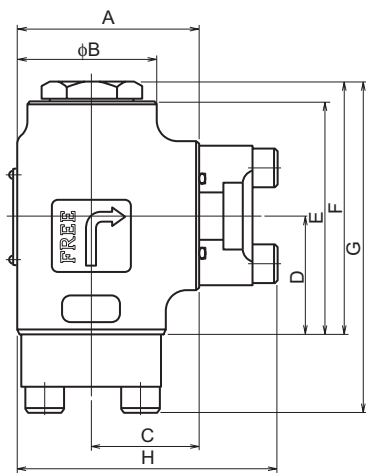
Model No.	Dimensions															
	A	B	B'	C	D	E	F	G	H	J	K	L	M	P	Q	R
JCA-G03	72	42.8	—	35.7	7.1	17.45	31.8	90	72.5	66.7	11.6	33.3	30	22	14	4
JCA-G06	93	60.3	—	49.2	11.1	21.4	44.5	102	84.5	79.4	11.3	39.7	35	34	22	4
JCA-G10	123	84.1	42.1	67.5	16.7	20.3	62.7	120	97	96.8	11.6	48.4	40	38	26	6

JCA-T**

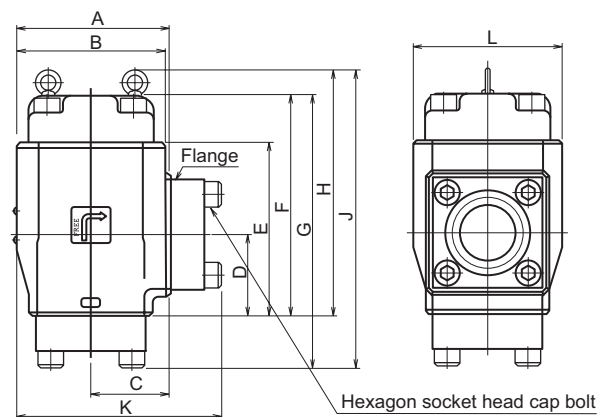


Model No.	Dimensions								
	A	B	C	D	E	F	G	H	J
JCA-T03	60	44	36	φ38	33	72	80.5	44	3/8
JCA-T06	72	54	45	φ54	49	96	104.5	54	3/4
JCA-T10	105	70	65	□80	65	121.5	130	80	1 1/4

JCA-F06, F10



JCA-F16, 24



Model No.	Dimensions									Flange	Hexagon socket head cap bolt
	A	B	C	D	E	F	G	H	J		
JCA-F06	76	54	45	49	96	104.5	136.5	108	62	JIS B 2291 SSA20	M10 × 40
JCA-F10	105	70	65	65	121.5	130	170	145	80	JIS B 2291 SSA32	M12 × 45

Model No.	Dimensions											Flange	Hexagon socket head cap bolt
	A	B	C	D	E	F	G	H	J	K	L		
JCA-F16	140	120	80	73	135	181	233	—	—	192	120	JIS B 2291 SSA50	M16 × 60
JCA-F24	195	190	100	103	220	280	347	312.3	379.3	262	190	JIS B 2291 SSA82	M22 × 80

Contact Details

Before using the product, please check the guide pages at the front of this catalog.

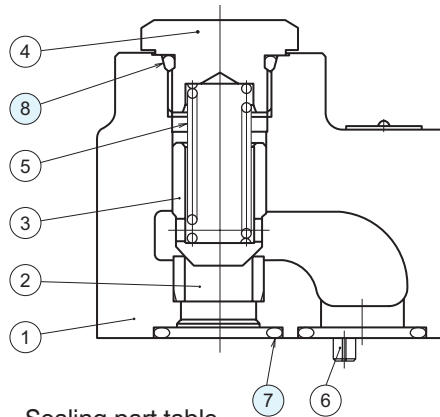
Internet

<https://www.daikinpmc.com/en/>

For latest information, PDF catalogs and operation manuals

Sectional structural diagram

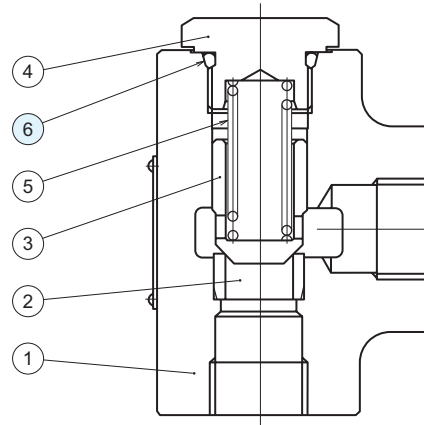
JCA-G**



Sealing part table

Part No.	Name	Quantity	Part specifications		
			JCA-G03	JCA-G06	JCA-G10
7	O-ring	2	JIS B 2401 1B P18	JIS B 2401 1B P28	JIS B 2401 1B P32
8	O-ring	1	JIS B 2401 1B P21	JIS B 2401 1B P24	JIS B 2401 1B P32

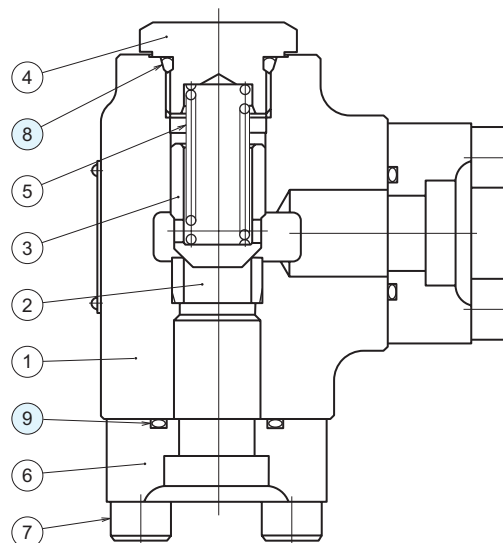
JCA-T**



Sealing part table

Part No.	Name	Quantity	Part specifications		
			JCA-T03	JCA-T06	JCA-T10
6	O-ring	1	JIS B 2401 1B P21	JIS B 2401 1B P24	JIS B 2401 1B P32

JCA-F06, F10



Sealing part table

Part No.	Name	Quantity	Part specifications			
			JCA-F06	JCA-F10	JCA-F16	JCA-F24
8	O-ring	1	JIS B 2401 1B P24	JIS B 2401 1B P32	JIS B 2401 1B G60	JIS B 2401 1B G90
9	O-ring	2	JIS B 2401 1B G30	JIS B 2401 1B G40	JIS B 2401 1B G60	JIS B 2401 1B G85