

Contact Details

Before using the product, please check the guide pages at the front of this catalog.

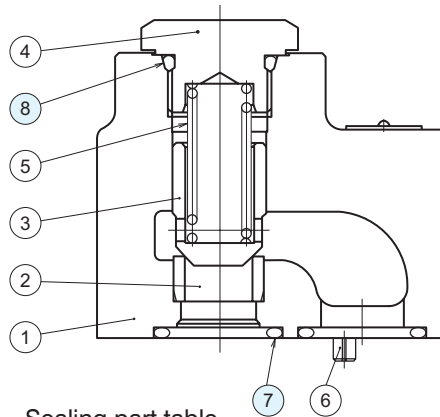
Internet

<https://www.daikinpmc.com/en/>

For latest information, PDF catalogs and operation manuals

Sectional structural diagram

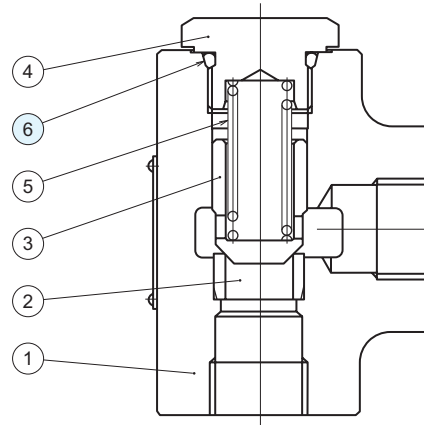
JCA-G**



Sealing part table

Part No.	Name	Quantity	Part specifications		
			JCA-G03	JCA-G06	JCA-G10
7	O-ring	2	JIS B 2401 1B P18	JIS B 2401 1B P28	JIS B 2401 1B P32
8	O-ring	1	JIS B 2401 1B P21	JIS B 2401 1B P24	JIS B 2401 1B P32

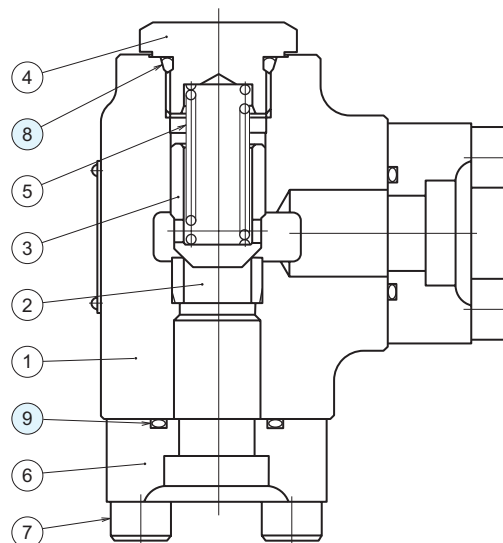
JCA-T**



Sealing part table

Part No.	Name	Quantity	Part specifications		
			JCA-T03	JCA-T06	JCA-T10
6	O-ring	1	JIS B 2401 1B P21	JIS B 2401 1B P24	JIS B 2401 1B P32

JCA-F06, F10



Sealing part table

Part No.	Name	Quantity	Part specifications			
			JCA-F06	JCA-F10	JCA-F16	JCA-F24
8	O-ring	1	JIS B 2401 1B P24	JIS B 2401 1B P32	JIS B 2401 1B G60	JIS B 2401 1B G90
9	O-ring	2	JIS B 2401 1B G30	JIS B 2401 1B G40	JIS B 2401 1B G60	JIS B 2401 1B G85