

Contact Details

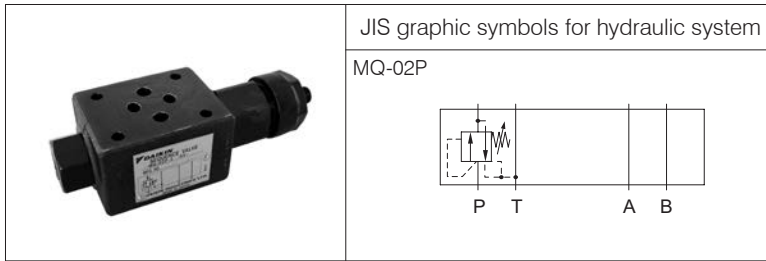
Before using the product, please check the guide pages at the front of this catalog.

Internet

<https://www.daikinpmc.com/en/>

For latest information, PDF catalogs and operation manuals

02 Series Stacking Type P Port Sequence Valves



Nomenclature

※ - MQ - 02 P - 2 ※ - 55 - ※
1 2 3 4 5 6 7 8

1 Applicable fluid code

No designation: Petroleum-based hydraulic fluid,
water-glycol hydraulic fluid
F: Phosphate ester hydraulic fluid

2 Model No.

MQ: Modular stacking type pressure control valve

3 Nominal diameter

02: ¼

4 Control port

P: Port P

5 Function code

2: Sequence valve

6 Pressure adjustment range

1: 0.8 to 7 MPa { 8 to 70 kgf/cm² }
3: 3.5 to 21 MPa { 35 to 210 kgf/cm² }

7 Design No.

(The design No. is subject to change)

8 Pressure adjusting screw position

No designation: Adjusted at port B side
G: Adjusted at port A side

Specifications

Model code	Maximum operating pressure MPa {kgf/cm ² }	Maximum flow rate L/min	Pressure adjustment range *1 MPa {kgf/cm ² }	Mass kg	Pressure change MPa {kgf/cm ² } per screw revolution
MQ-02P-21-55	25 {250}	40	0.8 to 7 { 8 to 70 }	1.1	1.8 {18}/revolution
MQ-02P-23-55			3.5 to 21 {35 to 210}		4.4 {44}/revolution

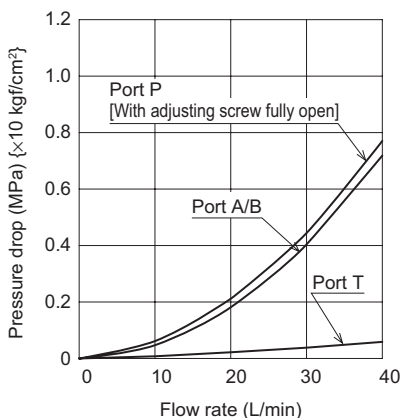
Note: *1 The pressure adjustment ranges are indicated using cracking pressures.

Handling

- The drain piping is connected to the tank port.

Performance curves (viscosity: 32 mm²/s {cSt})

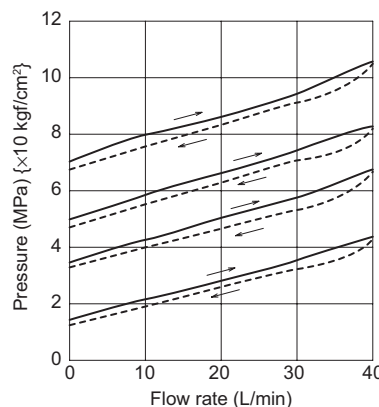
Pressure drop characteristics



Pressure - Flow rate characteristics

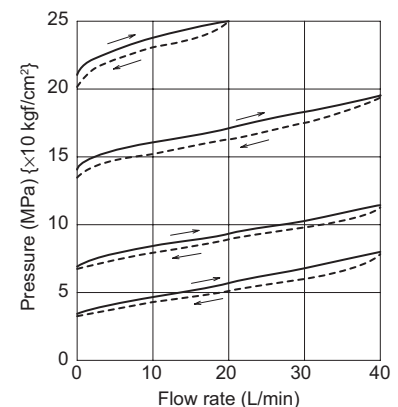
MQ-02P-21-55

Solid line: When flow rate is increased
Dashed line: When flow rate is decreased



MQ-02P-23-55

Solid line: When flow rate is increased
Dashed line: When flow rate is decreased



Contact Details

Before using the product, please check the guide pages at the front of this catalog.

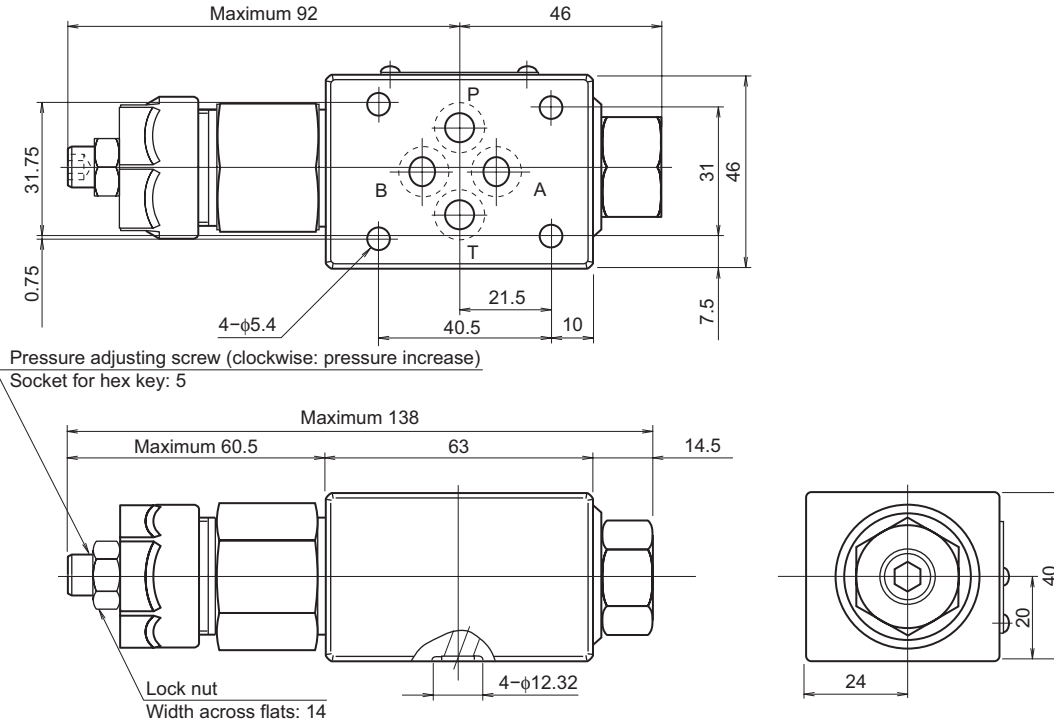
Internet

<https://www.daikinpmc.com/en/>

For latest information, PDF catalogs and operation manuals

External dimension diagram

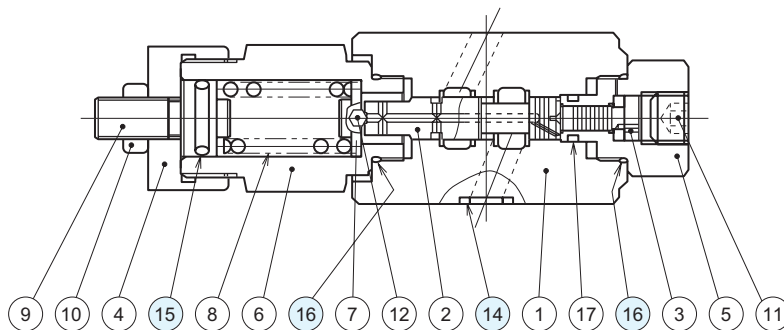
MQ-02P



For products with option code G, the pressure adjusting screw is located at the port A side.

Sectional structural diagram

MQ-02P



Sealing part table

Part No.	Name	Quantity	Part specifications
14	O-ring	4	AS568-012 (NBR, Hs90)
15	O-ring	1	JIS B 2401 1A P14
16	O-ring	2	AS568-017 (NBR, Hs90)
17	O-ring	1	JIS B 2401 1B P8