

## Contact Details

Before using the product, please check the guide pages at the front of this catalog.

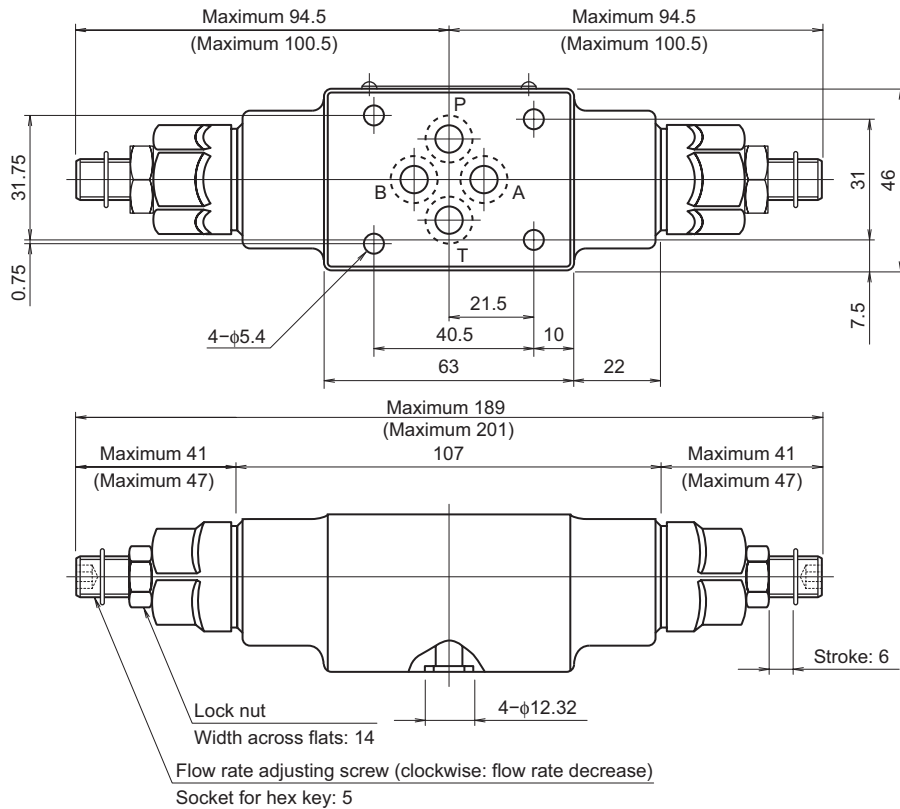
Internet

<https://www.daikinpmc.com/en/>

For latest information, PDF catalogs and operation manuals

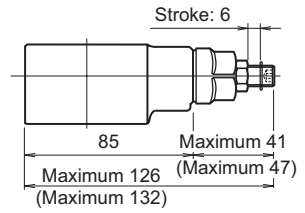
## External dimension diagram

MT-02W-55

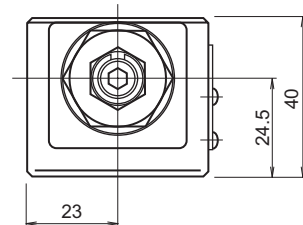
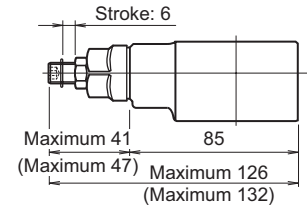


Dimensions in parentheses are for control Nos. "32" and "33".

MT-02A-55

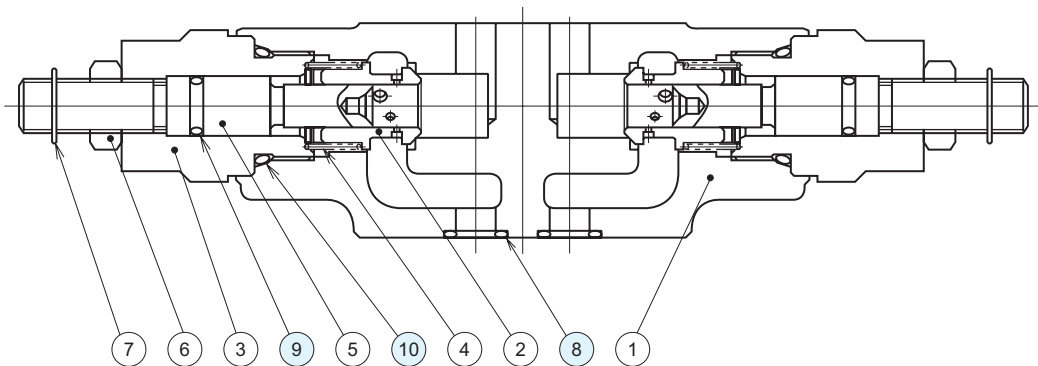


MT-02B-55



## Sectional structural diagram

MT-02W-55



Sealing part table

| Part No. | Name   | Quantity |           | Part specifications   |
|----------|--------|----------|-----------|-----------------------|
|          |        | MT-02W   | MT-02A, B |                       |
| 8        | O-ring | 4        | 4         | AS568-012 (NBR, Hs90) |
| 9        | O-ring | 2        | 1         | JIS B 2401 1B P8      |
| 10       | O-ring | 2        | 1         | JIS B 2401 1B P18     |

## Contact Details

Before using the product, please check the guide pages at the front of this catalog.

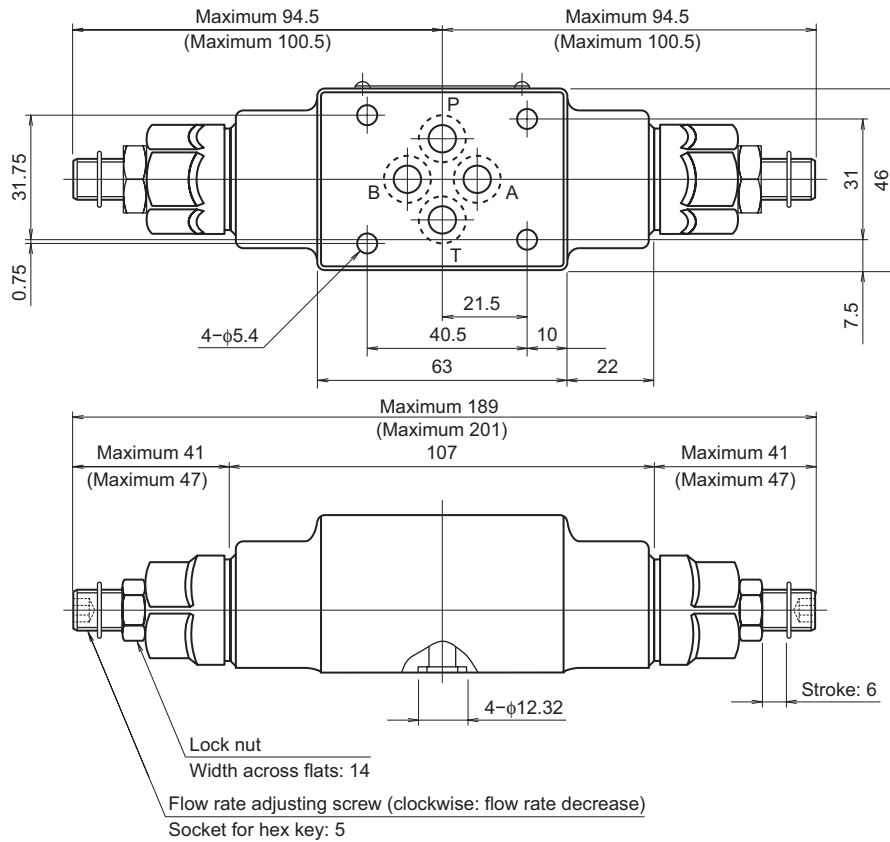
Internet

<https://www.daikinpmc.com/en/>

For latest information, PDF catalogs and operation manuals

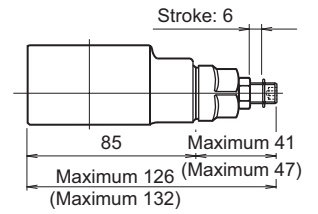
## External dimension diagram

MT-02Wi-55

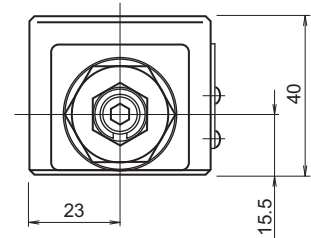
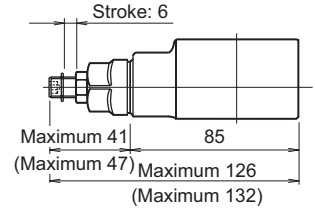


Dimensions in parentheses are for control Nos. "32" and "33".

MT-02Ai-55



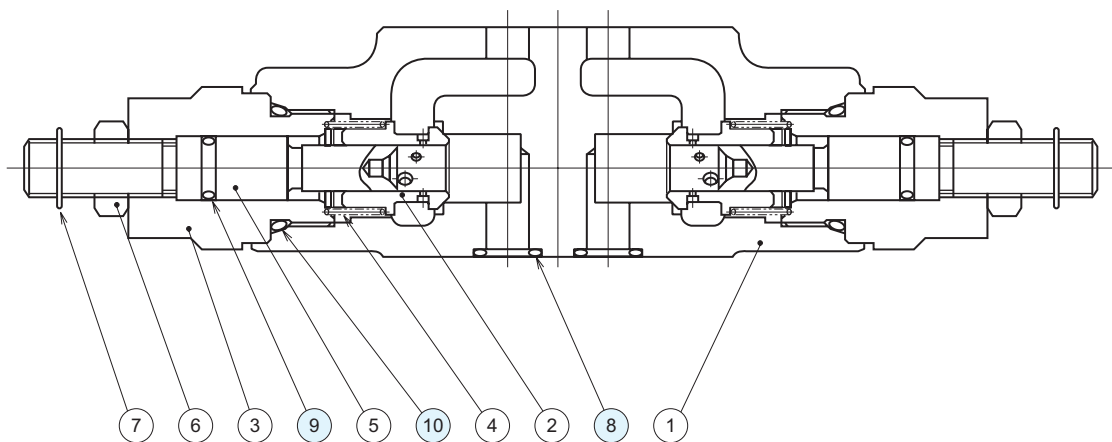
MT-02Bi-55



MODULAR STACK VALVES

## Sectional structural diagram

MT-02Wi-55



Sealing part table

| Part No. | Name   | Quantity |             | Part specifications   |
|----------|--------|----------|-------------|-----------------------|
|          |        | MT-02Wi  | MT-02Ai, Bi |                       |
| 8        | O-ring | 4        | 4           | AS568-012 (NBR, Hs90) |
| 9        | O-ring | 2        | 1           | JIS B 2401 1B P8      |
| 10       | O-ring | 2        | 1           | JIS B 2401 1B P18     |

## Contact Details

Before using the product, please check the guide pages at the front of this catalog.

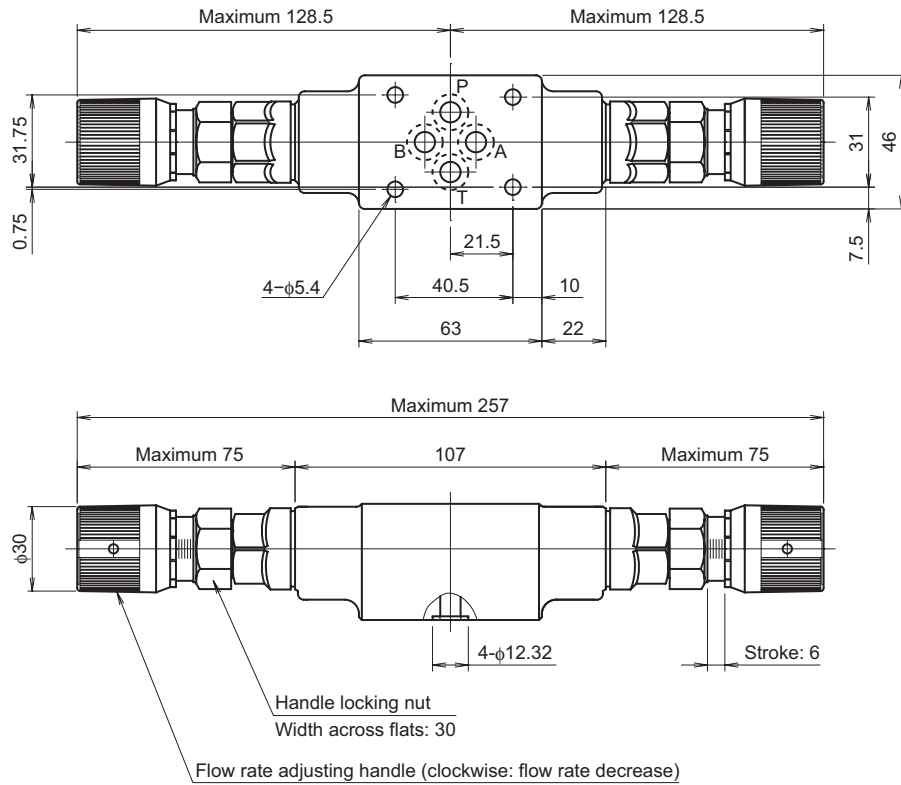
Internet

<https://www.daikinpmc.com/en/>

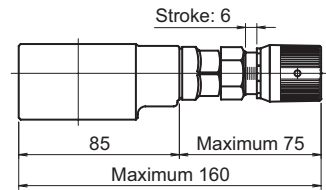
For latest information, PDF catalogs and operation manuals

## External dimension diagram

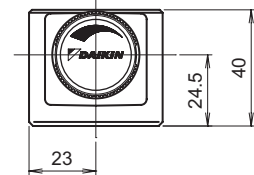
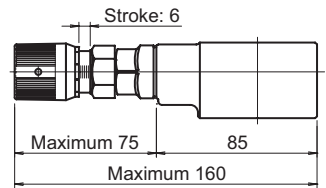
MT-02W-55-T



MT-02A-55-T

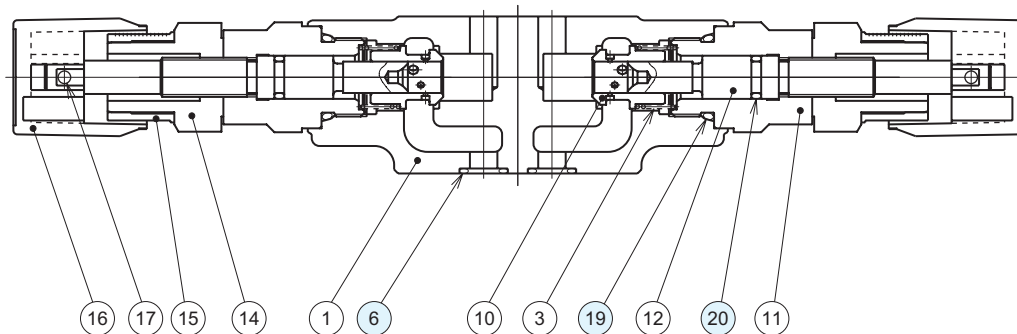


MT-02B-55-T



## Sectional structural diagram

MT-02W-55-T



Sealing part table

| Part No. | Name   | Quantity |           | Part specifications   |
|----------|--------|----------|-----------|-----------------------|
|          |        | MT-02W   | MT-02A, B |                       |
| 6        | O-ring | 4        | 4         | AS568-012 (NBR, Hs90) |
| 19       | O-ring | 2        | 1         | JIS B 2401 1B P18     |
| 20       | O-ring | 2        | 1         | JIS B 2401 1B P8      |

## Contact Details

Before using the product, please check the guide pages at the front of this catalog.

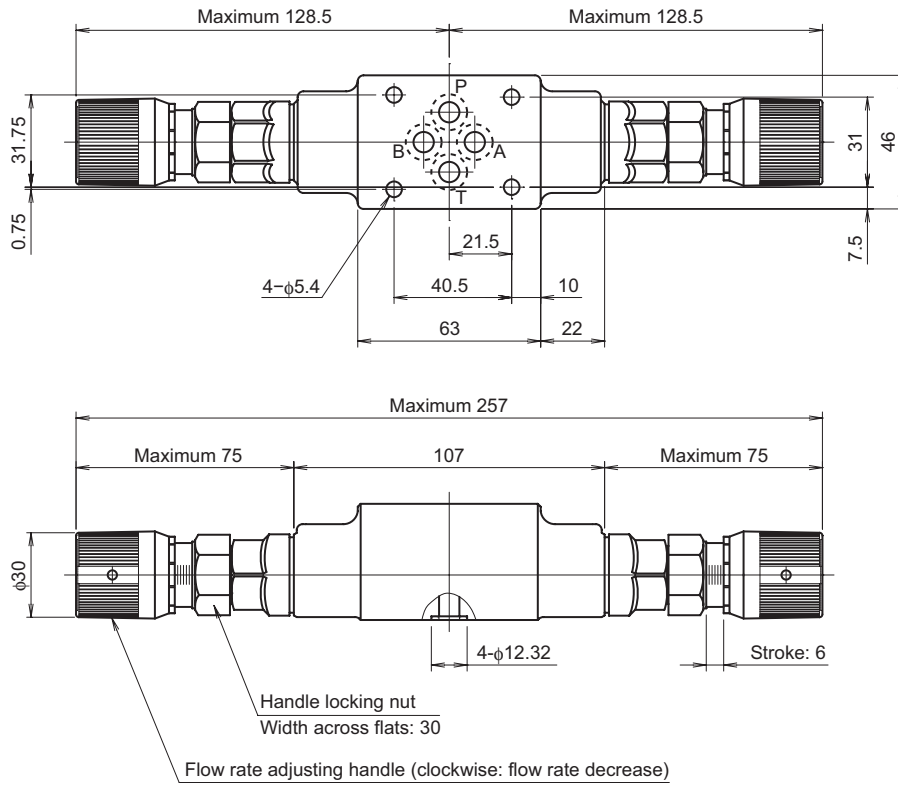
Internet

<https://www.daikinpmc.com/en/>

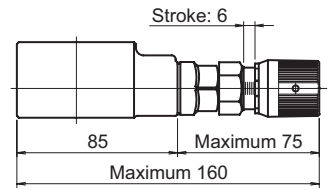
For latest information, PDF catalogs and operation manuals

## External dimension diagram

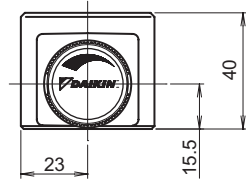
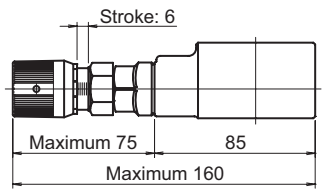
MT-02Wi-55-T



MT-02Ai-55-T



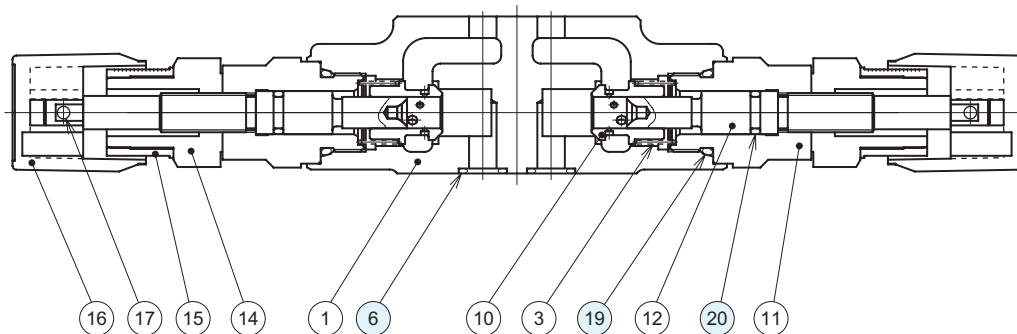
MT-02Bi-55-T



MODULAR STACK VALVES

## Sectional structural diagram

MT-02Wi-55-T



Sealing part table

| Part No. | Name   | Quantity |             | Part specifications   |
|----------|--------|----------|-------------|-----------------------|
|          |        | MT-02WI  | MT-02AI, BI |                       |
| 6        | O-ring | 4        | 4           | AS568-012 (NBR, Hs90) |
| 19       | O-ring | 2        | 1           | JIS B 2401 1B P18     |
| 20       | O-ring | 2        | 1           | JIS B 2401 1B P8      |

## Contact Details

Before using the product, please check the guide pages at the front of this catalog.

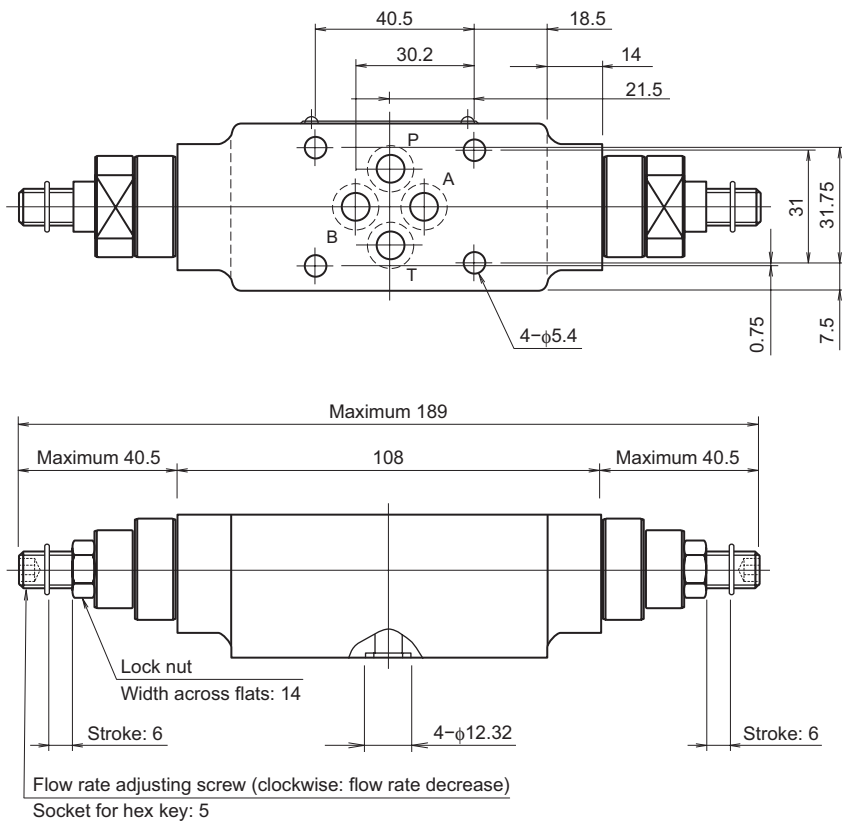
Internet

<https://www.daikinpmc.com/en/>

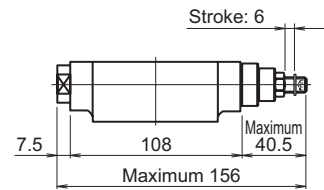
For latest information, PDF catalogs and operation manuals

## External dimension diagram

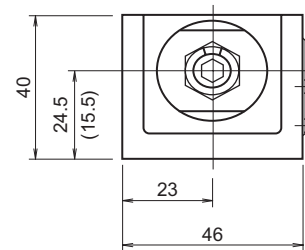
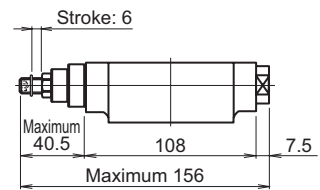
MT-02W(i)-60



MT-02A(i)-60



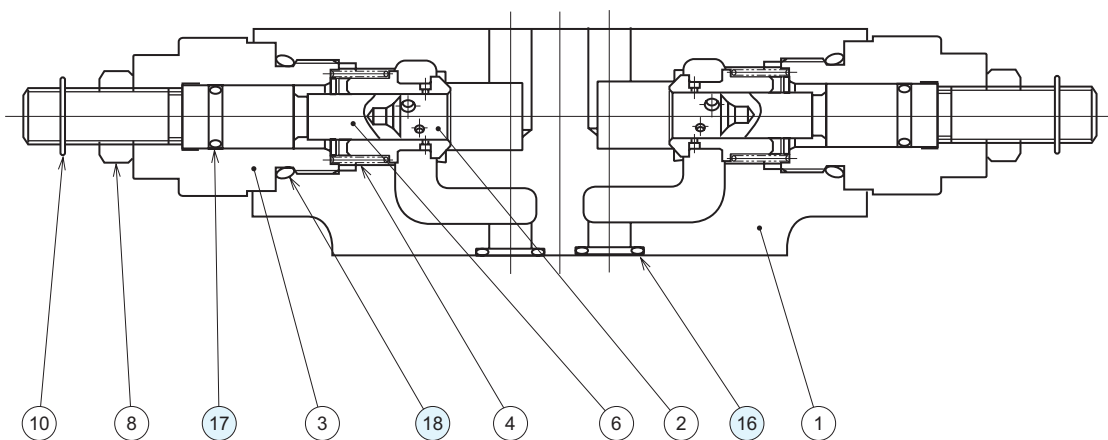
MT-02B(i)-60



Dimensions in parentheses are for meter-in control.

## Sectional structural diagram

MT-02W(i)-60



Sealing part table

| Part No. | Name   | Quantity  |                 | Part specifications   |
|----------|--------|-----------|-----------------|-----------------------|
|          |        | MT-02W(i) | MT-02A(i), B(i) |                       |
| 16       | O-ring | 4         | 4               | AS568-012 (NBR, Hs90) |
| 17       | O-ring | 2         | 1               | JIS B 2401 1B P8      |
| 18       | O-ring | 2         | 1               | JIS B 2401 1B P18     |