

Contact Details

Before using the product, please check the guide pages at the front of this catalog.

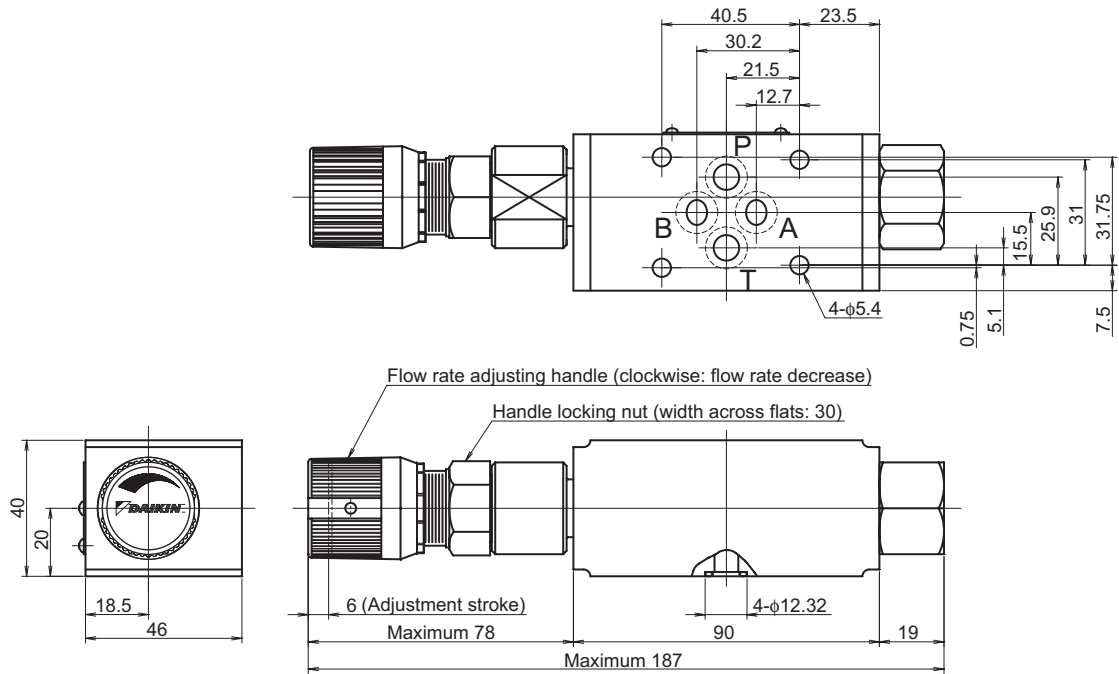
Internet

<https://www.daikinpmc.com/en/>

For latest information, PDF catalogs and operation manuals

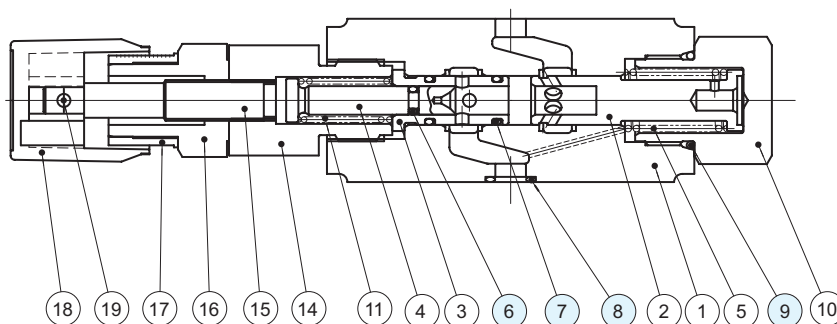
External dimension diagram

MF-02P-55



Sectional structural diagram

MF-02P-55



Sealing part table

Part No.	Name	Quantity	Part specifications
6	O-ring	1	JIS B 2401 1B P4
7	O-ring	2	JIS B 2401 1B P9
8	O-ring	4	AS568-012 (NBR, Hs90)
9	O-ring	1	JIS B 2401 1B P20