

Contact Details

Before using the product, please check the guide pages at the front of this catalog.

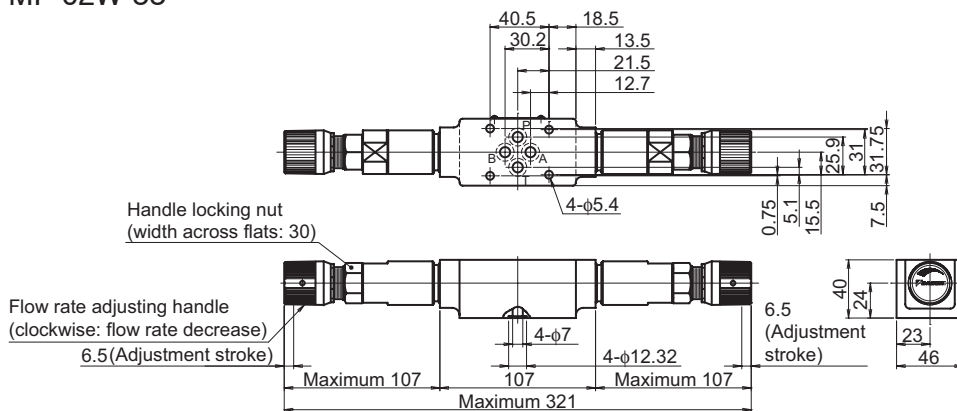
Internet

<https://www.daikinpmc.com/en/>

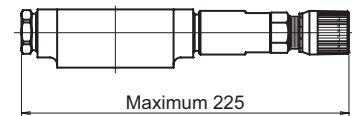
For latest information, PDF catalogs and operation manuals

External dimension diagram

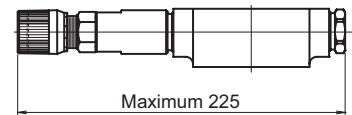
MF-02W-55



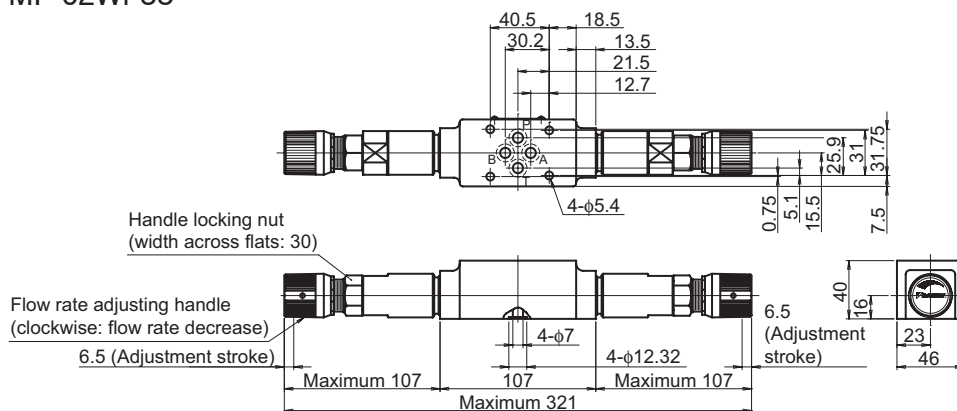
MF-02A-55



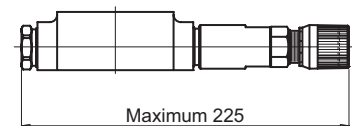
MF-02B-55



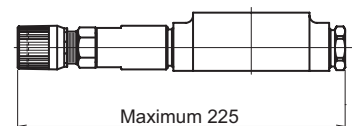
MF-02Wi-55



MF-02Ai-55

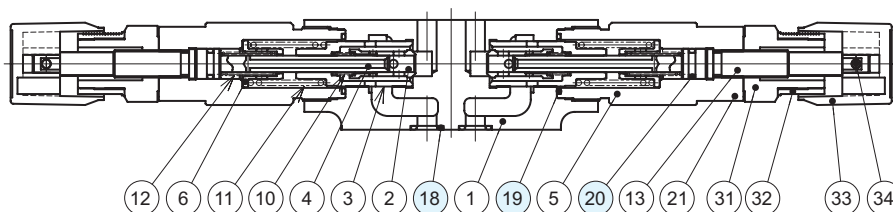


MF-02Bi-55

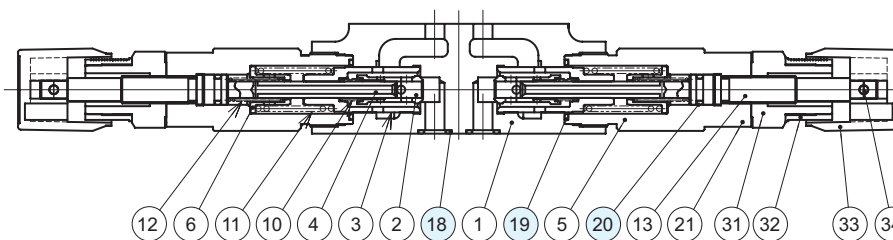


Sectional structural diagram

MF-02W-55



MF-02Wi-55



Sealing part table

| Part No. | Name | Quantity | | Part specifications |
|----------|--------|----------|------|-----------------------|
| | | W | A, B | |
| 18 | O-ring | 4 | 4 | AS568-012 (NBR, Hs90) |
| 19 | O-ring | 2 | 2 | AS568-018 (NBR, Hs90) |
| 20 | O-ring | 2 | 1 | JIS B 2401 1A P8 |