

Contact Details

Before using the product, please check the guide pages at the front of this catalog.

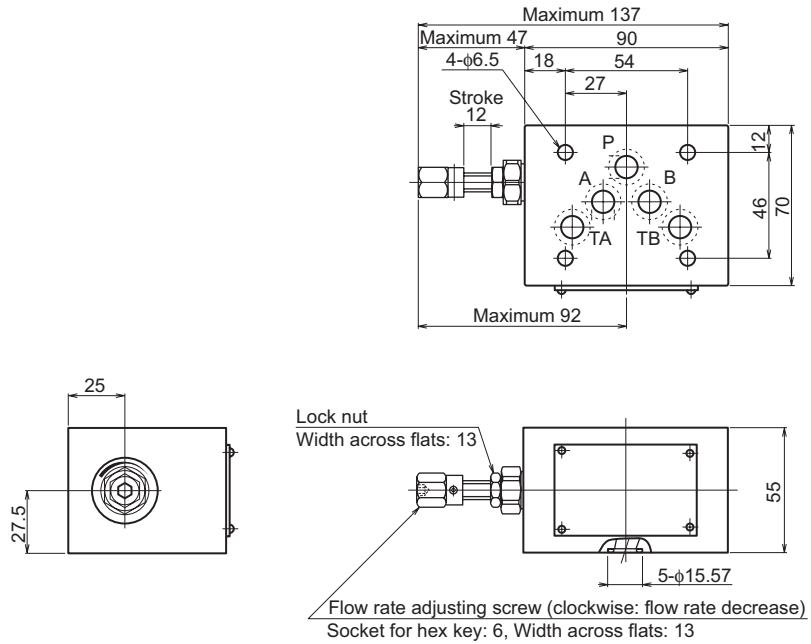
Internet

<https://www.daikinpmc.com/en/>

For latest information, PDF catalogs and operation manuals

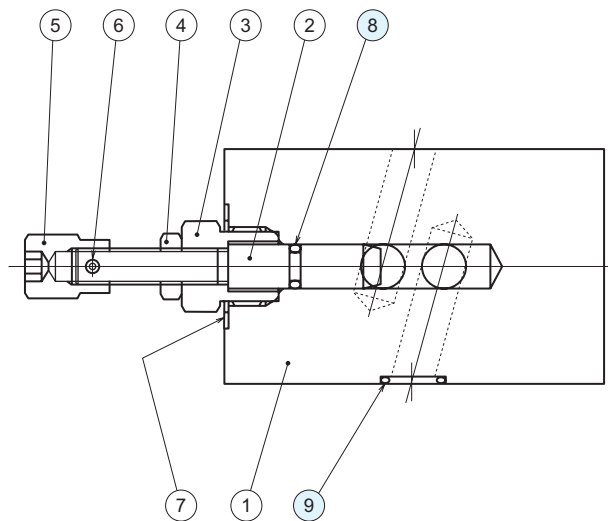
External dimension diagram

MT-03P



Sectional structural diagram

MT-03P



Sealing part table

| Part No. | Name | Quantity | Part specifications |
|----------|--------|----------|----------------------|
| 8 | O-ring | 1 | JIS B 2401 1B P7 |
| 9 | O-ring | 5 | AS568-014 (NBR,Hs90) |