

Contact Details

Before using the product, please check the guide pages at the front of this catalog.

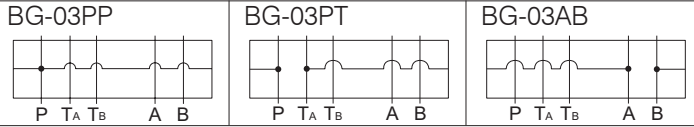
Internet

<https://www.daikinpmc.com/en/>

For latest information, PDF catalogs and operation manuals

03 Series Stack Valve Pressure Take-out Blocks

JIS graphic symbols for hydraulic system



Nomenclature

※ - **BG** - **03** ※※ - **40** - ※※
 1 2 3 4 5 6

1 Applicable fluid code

No designation: Petroleum-based hydraulic fluid, water-glycol hydraulic fluid
 F: Phosphate ester hydraulic fluid

2 Model No.

BG: Pressure take-out block

3 Nominal diameter

03: $\frac{3}{8}$

4 Pressure take-out port

PP: Port P (two locations)

PT: Port P/T

AB: Port A/B

5 Design No. (The design No. is subject to change)

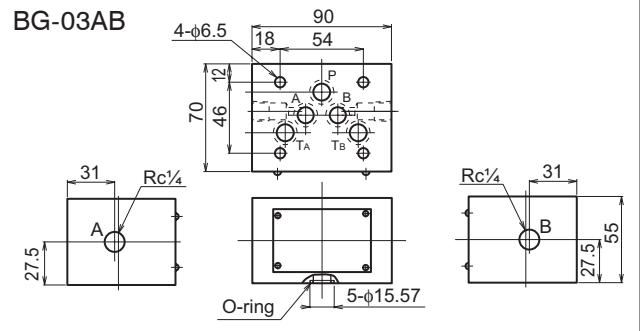
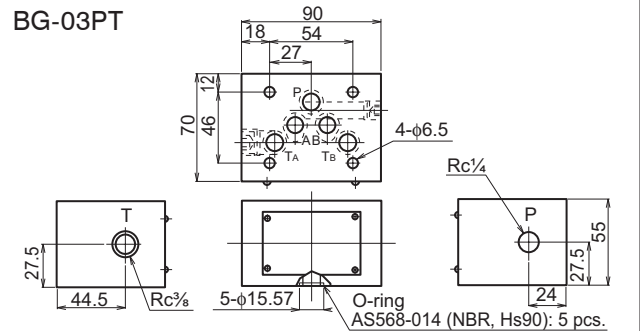
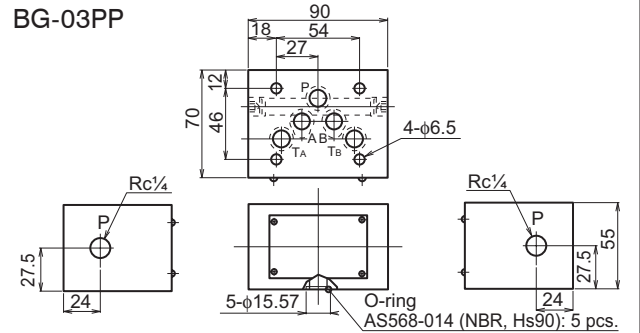
6 Control No.

No designation: When AB is designated as the pressure take-out port code.
 40: When PP is designated as the pressure take-out port code.
 70: When PT is designated as the pressure take-out port code.

Specifications

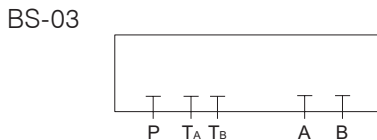
Model code	Maximum operating pressure MPa {kgf/cm ² }	Maximum flow rate L/min	Mass kg
BG-03PP-40-40	25 {250}	80	2.6
BG-03PT-40-70			
BG-03AB-40			

External dimension diagram



03 Series Stack Valve Blocking Blocks

JIS graphic symbols for hydraulic system



Nomenclature

※ - **BS** - **03** - **40**
 1 2 3 4

1 Applicable fluid code

No designation: Petroleum-based hydraulic fluid, water-glycol hydraulic fluid
 F: Phosphate ester hydraulic fluid

2 Model No.

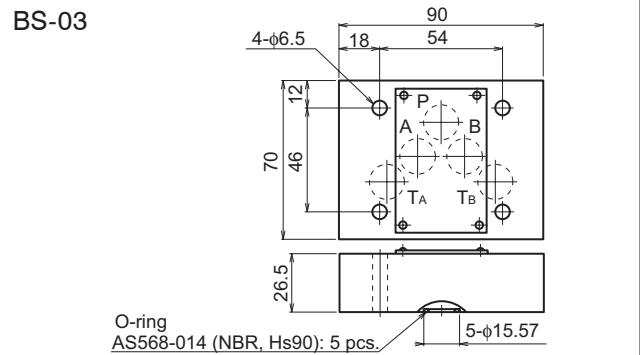
BS: Blocking block

3 Nominal diameter

03: $\frac{3}{8}$

4 Design No. (The design No. is subject to change)

External dimension diagram



Specifications

Model code	Maximum operating pressure MPa {kgf/cm ² }	Mass kg
BS-03-40	25 {250}	1.2

Handling

Mounting bolts are not provided with the blocking block. Order the bolts separately as required.

MODULAR STACK VALVES