



# Contact Details

Before using the product, please check the guide pages at the front of this catalog.

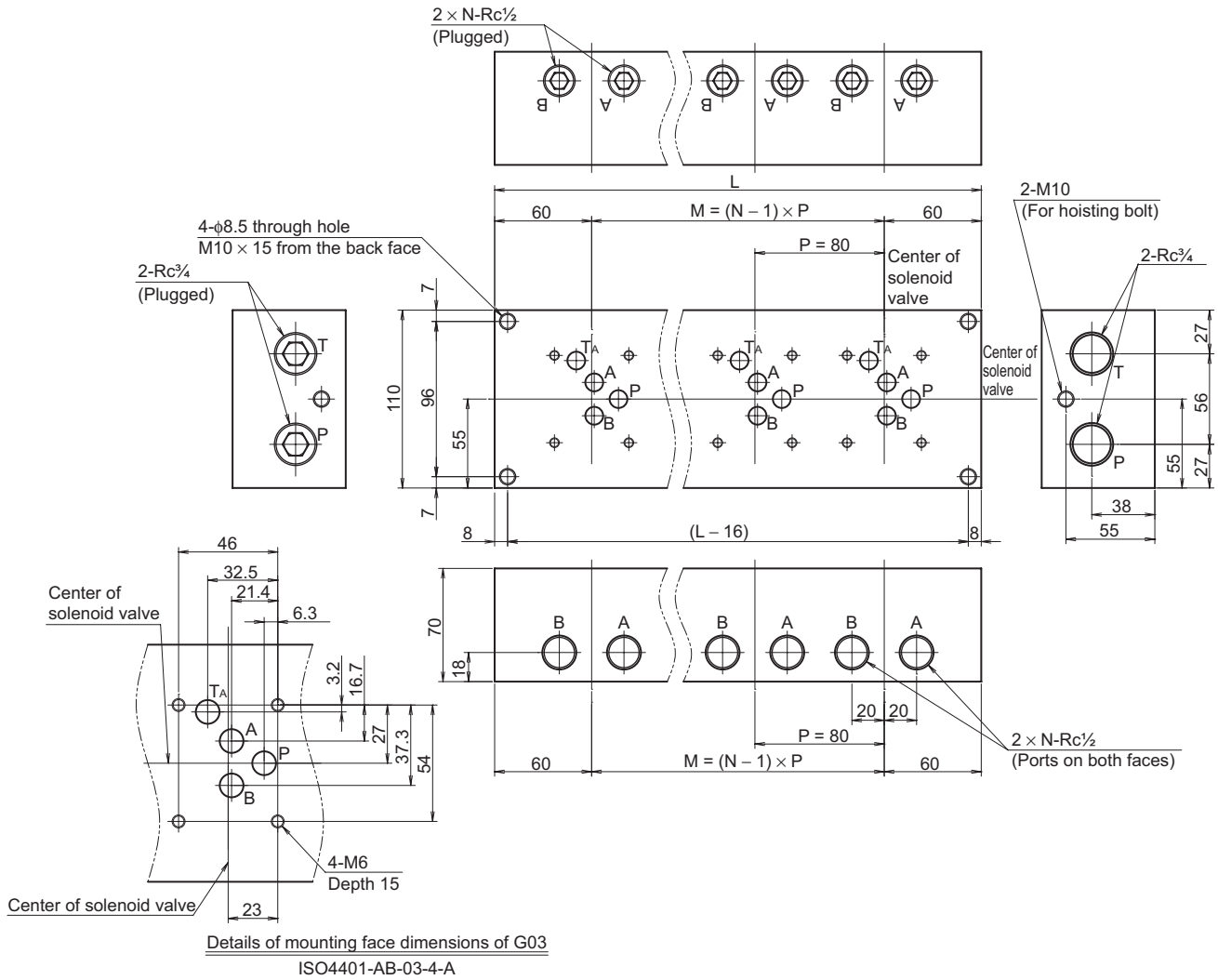
Internet

<https://www.daikinpmc.com/en/>

For latest information, PDF catalogs and operation manuals

## External dimension diagram

BT-※03-40-WH



Model code	N: Number of series	M	L	Mass kg
BT-103-40-WH	1	0	120	7.3
BT-203-40-WH	2	80	200	12.1
BT-303-40-WH	3	160	280	17.0
BT-403-40-WH	4	240	360	21.8
BT-503-40-WH	5	320	440	26.6