

Contact Details

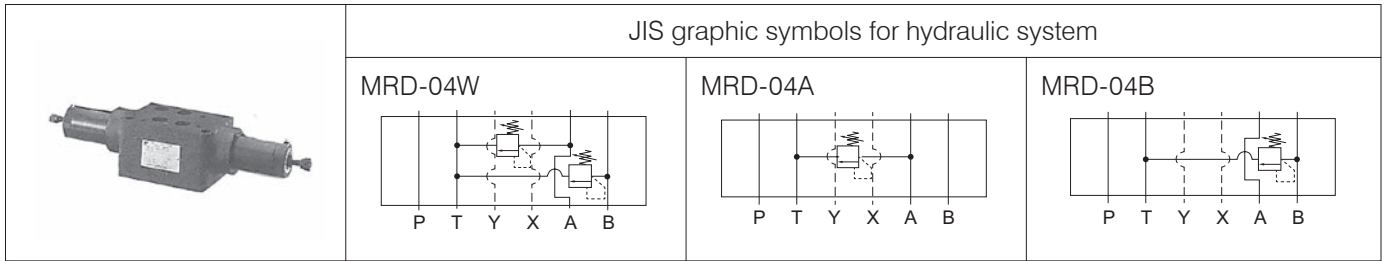
Before using the product, please check the guide pages at the front of this catalog.

Internet

<https://www.daikinpmc.com/en/>

For latest information, PDF catalogs and operation manuals

04 Series Stacking Type Port A/B Direct Operated Relief Valves



Nomenclature

※ - MRD - 04 ※ - ※ - 10

1 2 3 4 5 6

1 Applicable fluid code

No designation: Petroleum-based hydraulic fluid,
water-glycol hydraulic fluid
F: Phosphate ester hydraulic fluid

2 Model No.

MRD: Modular stacking type direct operated relief valve
(surge absorbing valve)

3 Nominal diameter

04: ½

4 Control port

W: Port A/B
A: Port A
B: Port B

5 Pressure adjustment range

1: 0.8 to 7 MPa { 8 to 70 kgf/cm² }
3: 3.5 to 25 MPa { 35 to 250 kgf/cm² }
4: 7 to 35 MPa { 70 to 350 kgf/cm² }

6 Design No.

(The design No. is subject to change)

Specifications

Model code	Maximum operating pressure MPa {kgf/cm ² }	Maximum flow rate L/min	Pressure adjustment range *2 MPa {kgf/cm ² }	Mass kg	Pressure change MPa {kgf/cm ² } per screw revolution
MRD-04※-1-10	35 {350}	50 (300) *1	0.8 to 7 { 8 to 70 }	6.5	0.63 { 6.3 }/revolution
MRD-04※-3-10			3.5 to 25 { 35 to 250 }		2.4 { 24 }/revolution
MRD-04※-4-10			7 to 35 { 70 to 350 }		3 { 30 }/revolution

Note: *1 The flow rate through the port is 300 L/min.

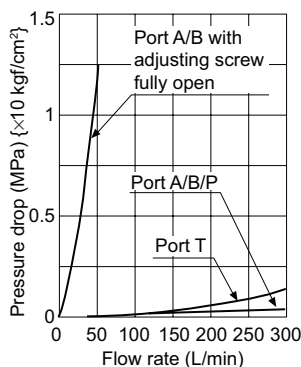
*2 The pressure adjustment ranges are indicated using cracking pressures.

Handling

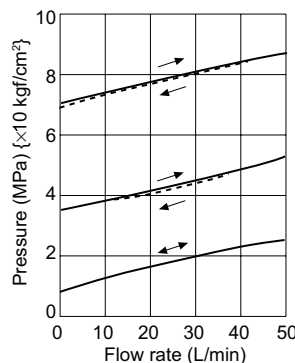
- Maintain the back pressure of the tank port at no greater than 0.5 MPa { 5 kgf/cm² }.

Performance curves (viscosity: 32 mm²/s {cSt})

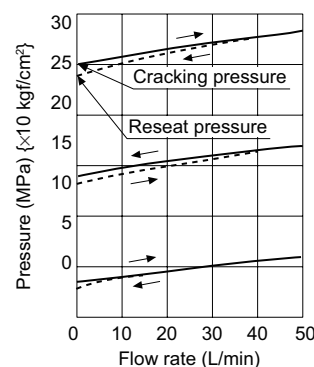
Pressure drop characteristics
MRD-04※-※



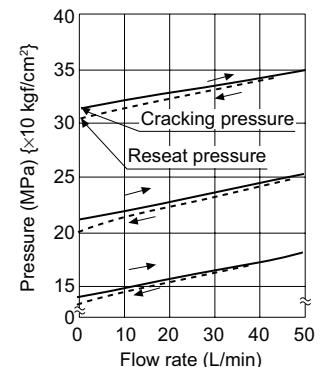
Pressure - Flow rate characteristics
MRD-04※-1



MRD-04※-3



MRD-04※-4



Contact Details

Before using the product, please check the guide pages at the front of this catalog.

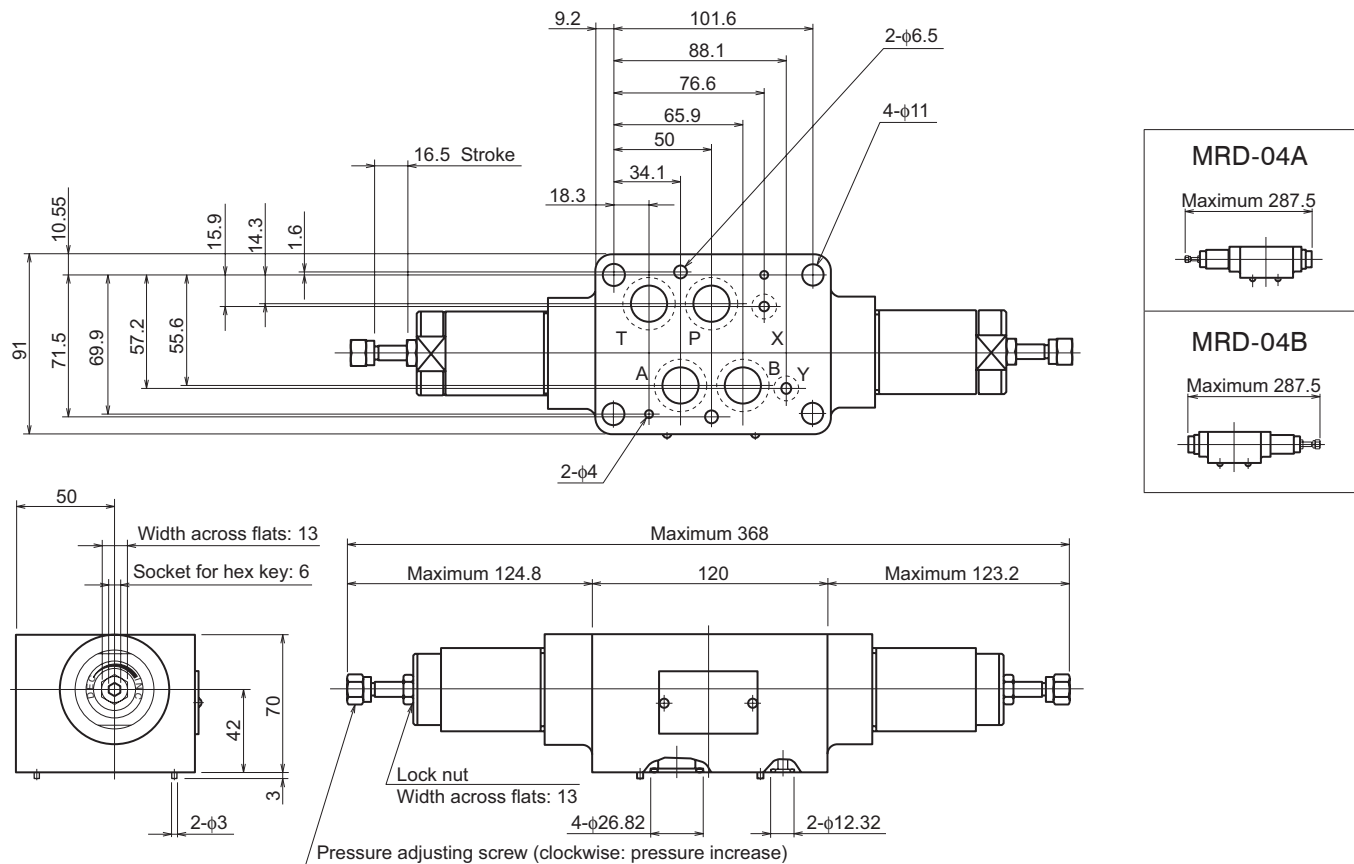
Internet

<https://www.daikinpmc.com/en/>

For latest information, PDF catalogs and operation manuals

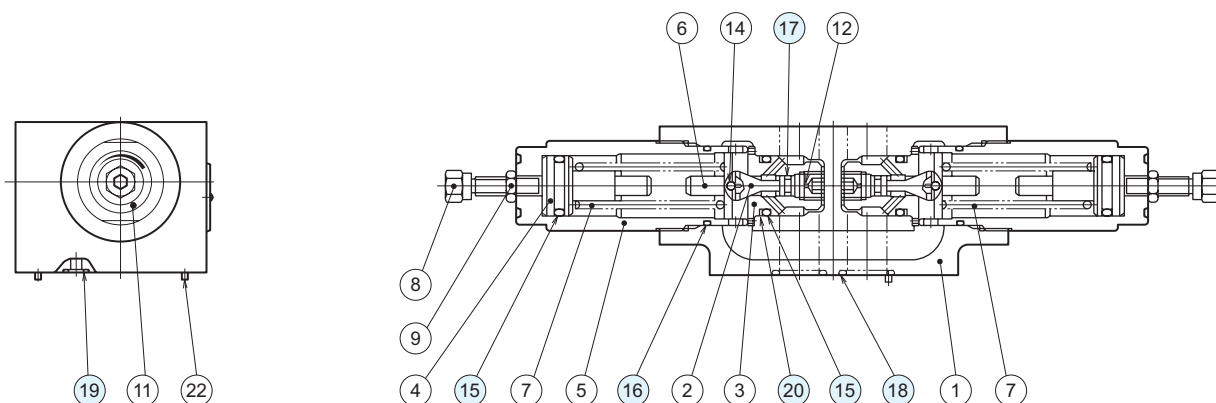
External dimension diagram

MRD-04W



Sectional structural diagram

MRD-04W



Sealing part table

Part No.	Name	Quantity			Part specifications
		-04W	-04A	-04B	
15	O-ring	4	3	3	JIS B 2401 1B P22A
16	O-ring	2	2	2	AS568-125 (NBR, Hs70)
17	O-ring	2	1	1	JIS B 2401 1A P6
18	O-ring	4	4	4	AS568-118 (NBR, Hs90)
19	O-ring	2	2	2	AS568-012 (NBR, Hs90)
20	Backup ring	2	2	2	JIS B 2407 Bias cut P22A