

Contact Details

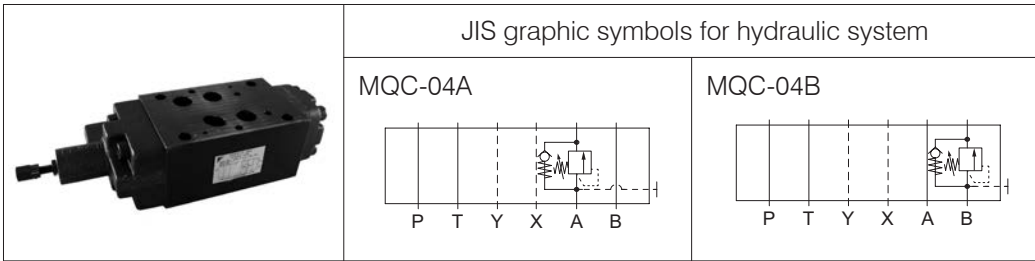
Before using the product, please check the guide pages at the front of this catalog.

Internet

<https://www.daikinpmc.com/en/>

For latest information, PDF catalogs and operation manuals

04 Series Stacking Type Port A/B Counter Balance Valves



Nomenclature

※ - MQC - 04 ※ - 1 ※ - 10 - ※02

1 2 3 4 5 6 7 8

1 Applicable fluid code

No designation: Petroleum-based hydraulic fluid,
water-glycol hydraulic fluid
F: Phosphate ester hydraulic fluid

2 Model No.

MQC: Modular stacking type counter balance valve

3 Nominal diameter

04: ½

4 Control port

A: Port A
B: Port B

5 Function code

1: Counter balance valve

6 Pressure adjustment range

A: 0.25 to 0.85 MPa { 2.5 to 8.5 kgf/cm² }
C: 0.5 to 3.5 MPa { 5 to 35 kgf/cm² }
E: 2 to 14 MPa { 20 to 140 kgf/cm² }

7 Design No.

(The design No. is subject to change)

8 Piping port

R02: Connection port Rc¼

S02: Connection port G¼ O-ring boss (JIS B 2351)

Specifications

Model code	Maximum operating pressure MPa {kgf/cm ² }	Maximum flow rate L/min	Pressure adjustment range *1 MPa {kgf/cm ² }	Check valve cracking pressure MPa {kgf/cm ² }	Mass kg	Pressure change MPa {kgf/cm ² } per screw revolution
MQC-04※-1A-10	35 {350}	300	0.25 to 0.85 { 2.5 to 8.5 }	0.05 {0.5}	8	0.12 { 1.2 }/revolution
MQC-04※-1C-10			0.5 to 3.5 { 5 to 35 }			0.47 { 4.7 }/revolution
MQC-04※-1E-10			2 to 14 { 20 to 140 }			1.9 { 19 }/revolution

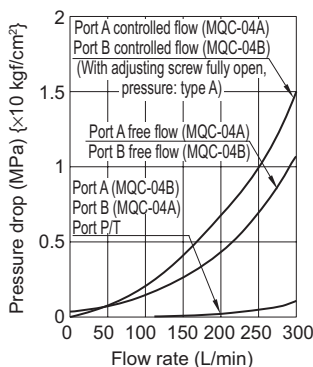
Note: *1 The pressure adjustment ranges are indicated using cracking pressures.

Handling

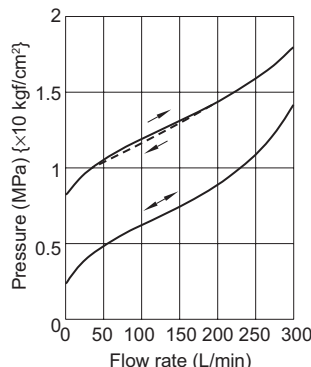
- Since this valve is set as internal drain type, connect the secondary port of the valve directly to the tank.

Performance curves (viscosity: 32 mm²/s {cSt})

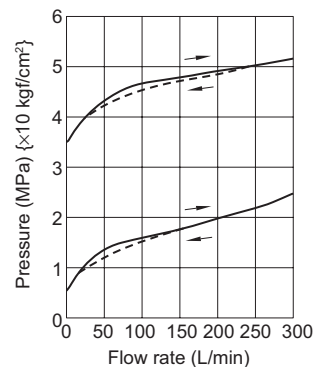
Pressure drop characteristics
MQC-04※-1※



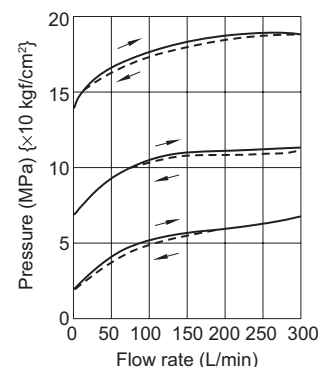
Pressure - Flow rate characteristics
MQC-04※-1A



MQC-04※-1C



MQC-04※-1E



Contact Details

Before using the product, please check the guide pages at the front of this catalog.

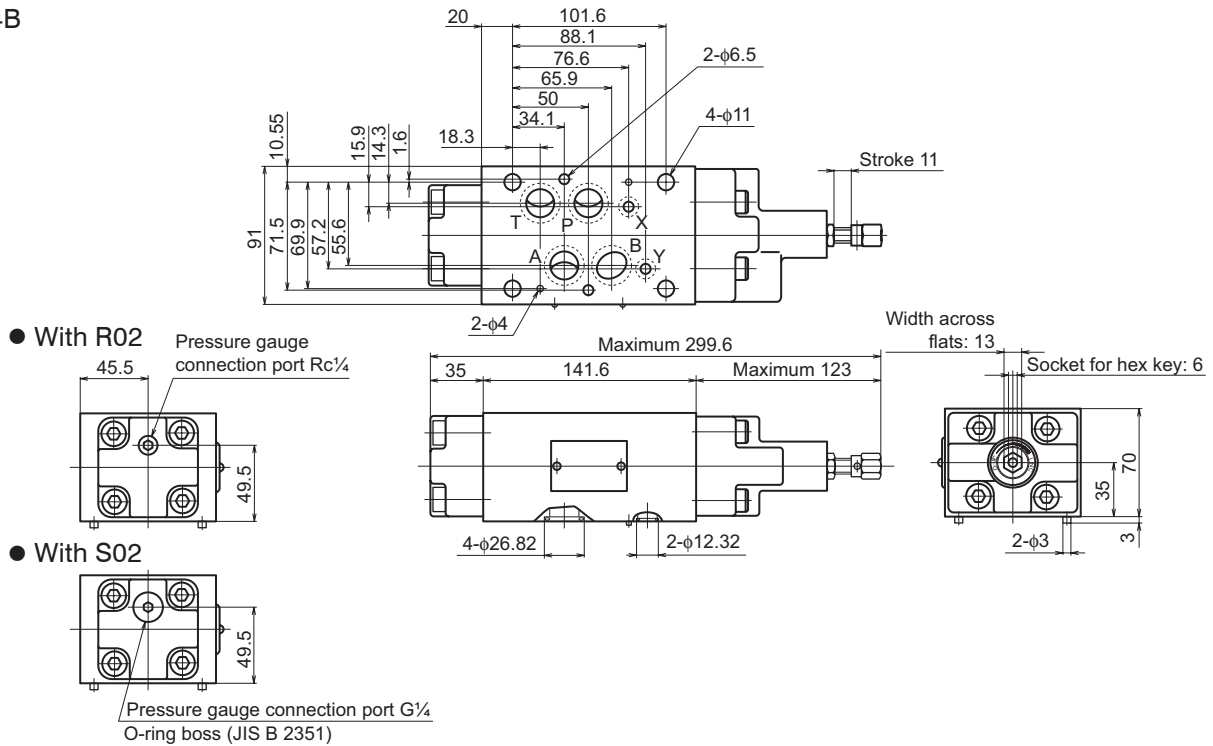
Internet

<https://www.daikinpmc.com/en/>

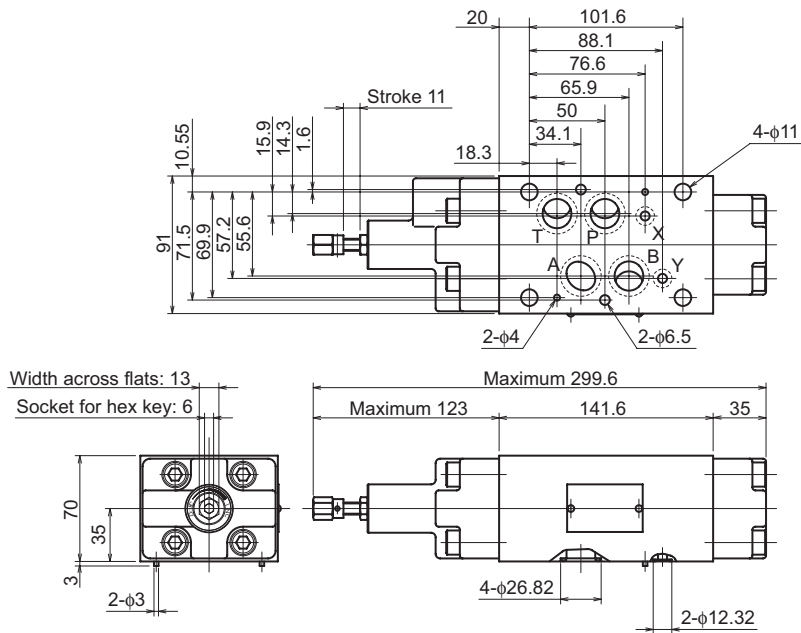
For latest information, PDF catalogs and operation manuals

External dimension diagram

MQC-04B

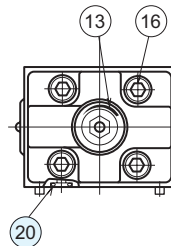
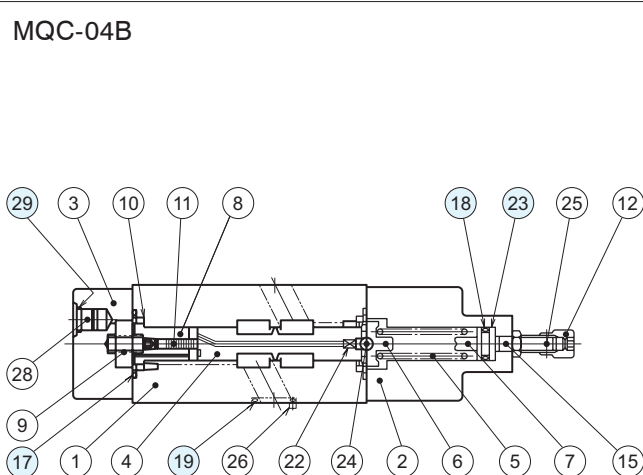


MQC-04A



Sectional structural diagram

MQC-04B



Sealing part table

Part No.	Name	Quantity		Part specifications
		-S02	-R02	
17	O-ring	2	2	JIS B 2401 1B G35
18	O-ring	1	1	JIS B 2401 1B P14
19	O-ring	4	4	AS568-118 (NBR, Hs90)
20	O-ring	2	2	AS568-012 (NBR, Hs90)
23	Backup ring	1	1	JIS B 2407 Bias cut P14
29	O-ring	1	-	JIS B 2401 1B P11

Note: Part No. 11 is used only for pressure adjustment range code C or E.