

Contact Details

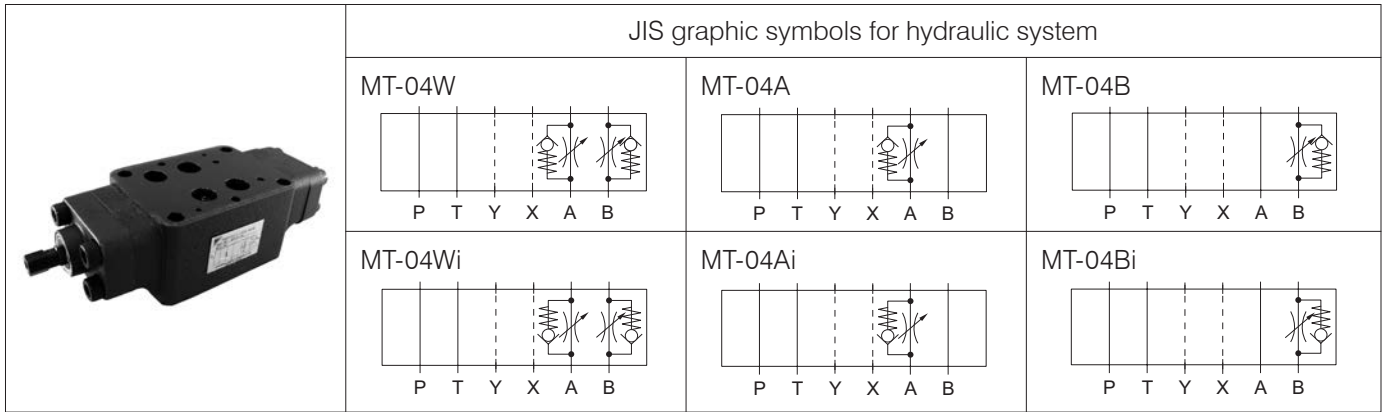
Before using the product, please check the guide pages at the front of this catalog.

Internet

<https://www.daikinpmc.com/en/>

For latest information, PDF catalogs and operation manuals

04 Series Stacking Type Throttle Valves for Port A/B



Nomenclature

⊗ - **MT** - **04** ⊗ ⊗ - **10**

1 2 3 4 5 6

1 Applicable fluid code

No designation: Petroleum-based hydraulic fluid,
water-glycol hydraulic fluid
F: Phosphate ester hydraulic fluid

2 Model No.

MT: Modular stacking type throttle valve

3 Nominal diameter

04: ½

4 Control port

W: Port A/B
A: Port A
B: Port B

5 Control method

No designation: Meter-out control
i: Meter-in control

6 Design No.

(The design No. is subject to change)

Specifications

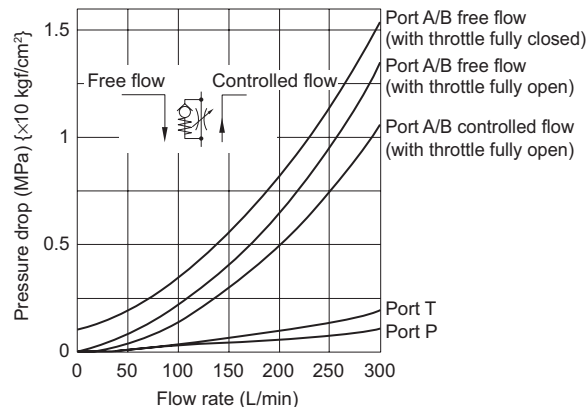
Model code	Maximum operating pressure MPa {kgf/cm ² }	Maximum flow rate L/min	Check valve cracking pressure MPa {kgf/cm ² }	Mass kg
MT-04⊗⊗-10	35 {350}	300	0.1 {1}	6.5

Handling

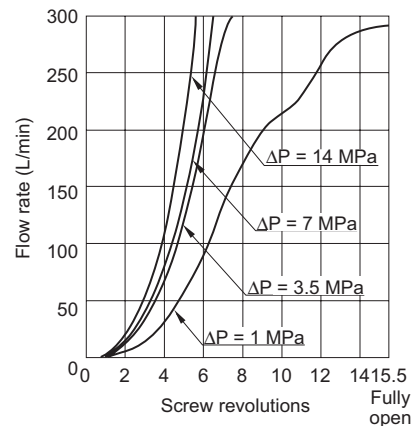
- The flow rate will not be zero even if the flow rate adjusting screw is fully tightened.

Performance curves (viscosity: 32 mm²/s {cSt})

Pressure drop characteristics



Adjusting screw revolution - Flow rate characteristics



Contact Details

Before using the product, please check the guide pages at the front of this catalog.

Internet

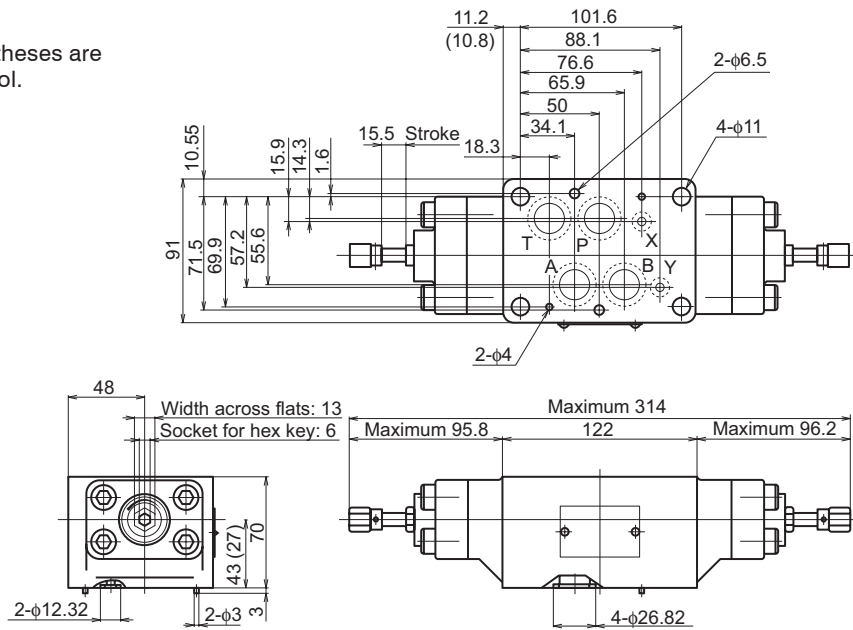
<https://www.daikinpmc.com/en/>

For latest information, PDF catalogs and operation manuals

External dimension diagram

MT-04**

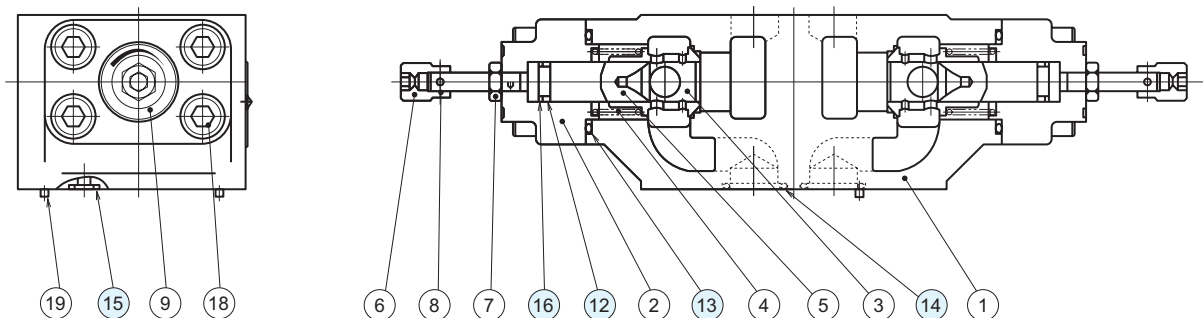
Dimensions in parentheses are for the meter-in control.



	<p>MT-04W</p> <p>Maximum 314</p>	<p>MT-04A</p> <p>Maximum 269</p>	<p>MT-04B</p> <p>Maximum 269</p>
Meter-out			
	<p>MT-04Wi</p>	<p>MT-04Ai</p>	<p>MT-04Bi</p>
Meter-in			

Sectional structural diagram

MT-04W



Sealing part table

Part No.	Name	Quantity			Part specifications
		04W(i)	04A(i)	04B(i)	
12	O-ring	2	1	1	JIS B 2401 1A P12
13	O-ring	2	2	2	AS568-127 (NBR, Hs90)
14	O-ring	4	4	4	AS568-118 (NBR, Hs90)
15	O-ring	2	2	2	AS568-012 (NBR, Hs90)
16	Backup ring	2	1	1	JIS B 2407 Bias cut P12