

## Contact Details

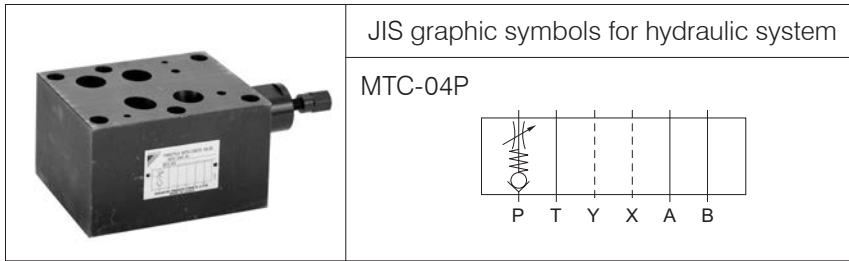
Before using the product, please check the guide pages at the front of this catalog.

Internet

<https://www.daikinpmc.com/en/>

For latest information, PDF catalogs and operation manuals

# 04 Series Stacking Type Port P Throttle Valves with Check Valves



JIS graphic symbols for hydraulic system

MTC-04P



## Nomenclature

※ - **MT C** - **04 P** - **10**

1      2      3      4      5      6

### 1 Applicable fluid code

No designation: Petroleum-based hydraulic fluid,  
water-glycol hydraulic fluid  
F: Phosphate ester hydraulic fluid

### 2 Model No.

MT: Modular stacking type throttle valve

### 3 Check valve code

C: With check valve

### 4 Nominal diameter

04: ½

### 5 Control port

P: Port P

### 6 Design No.

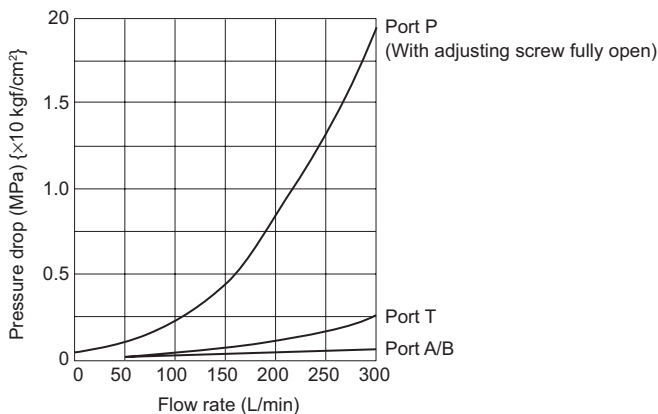
(The design No. is subject to change)

## Specifications

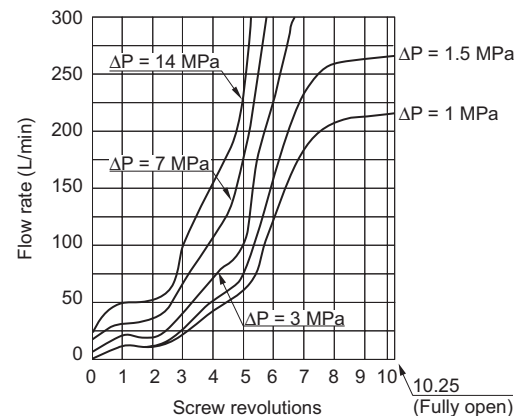
Model code	Maximum operating pressure MPa {kgf/cm <sup>2</sup> }	Maximum flow rate L/min	Check valve cracking pressure MPa {kgf/cm <sup>2</sup> }	Mass kg
MTC-04P-10	35 {350}	300	0.04 {0.4}	4.5

## Performance curves (viscosity: 42 mm<sup>2</sup>/s {cSt})

Pressure drop characteristics



Adjusting screw revolution - Flow rate characteristics



## Contact Details

Before using the product, please check the guide pages at the front of this catalog.

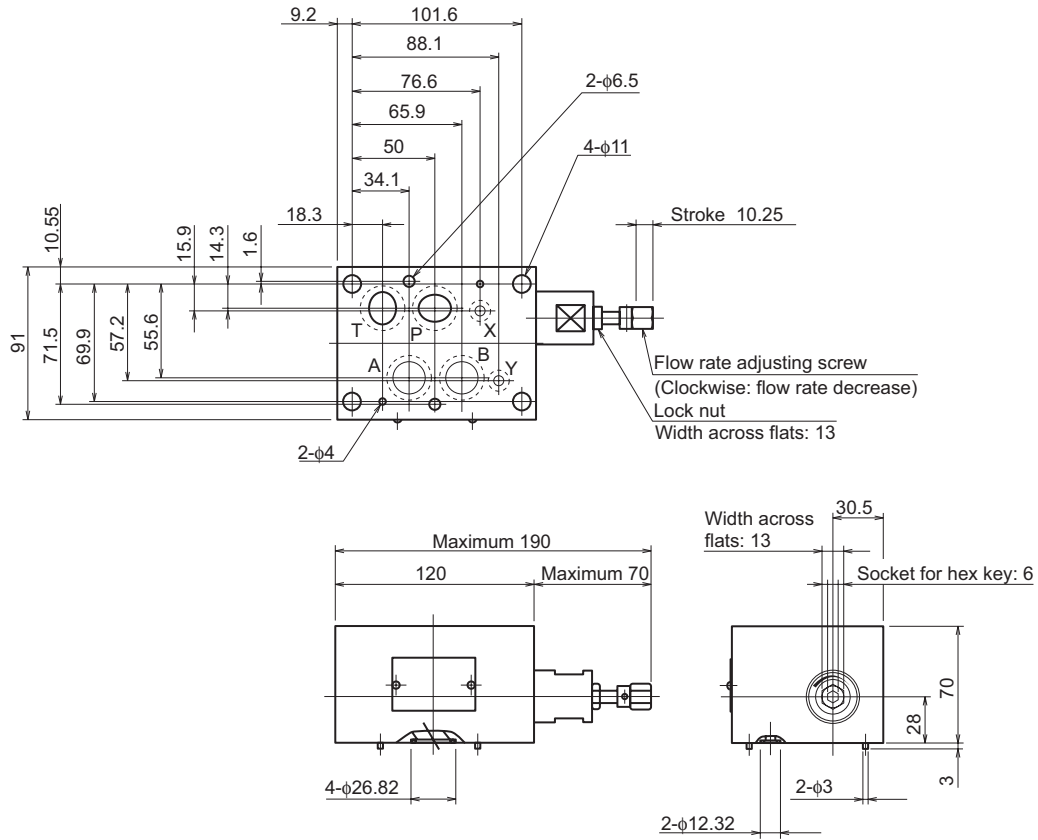
Internet

<https://www.daikinpmc.com/en/>

For latest information, PDF catalogs and operation manuals

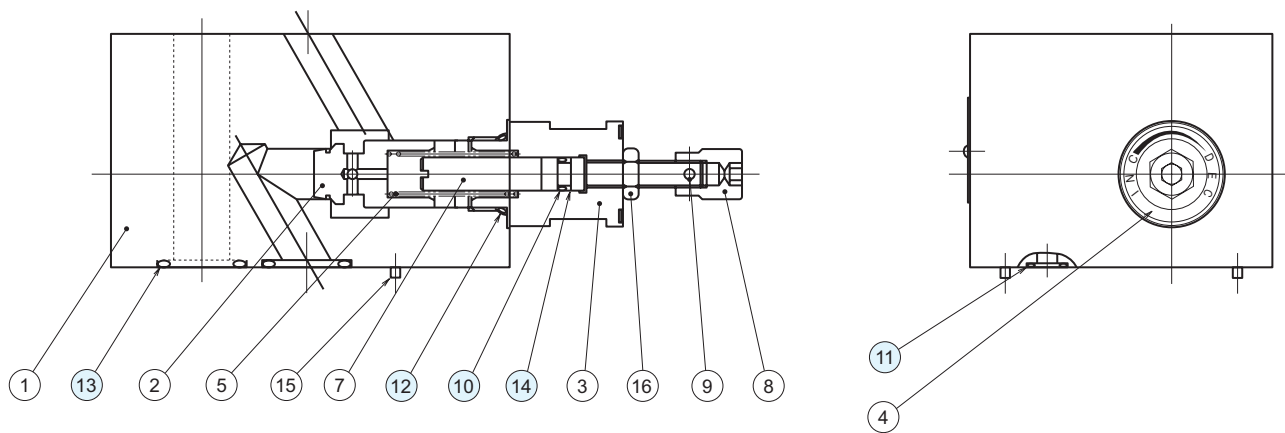
## External dimension diagram

MTC-04P



## Sectional structural diagram

MTC-04P



Sealing part table

Part No.	Name	Quantity	Part specifications
10	O-ring	1	JIS B 2401 1BP7
11	O-ring	2	AS568-012 (NBR, Hs90)
12	O-ring	1	JIS B 2401 1BP20
13	O-ring	4	AS568-118 HS90
14	Backup ring	1	JIS B 2407 Bias cut P7