

Contact Details

Before using the product, please check the guide pages at the front of this catalog.

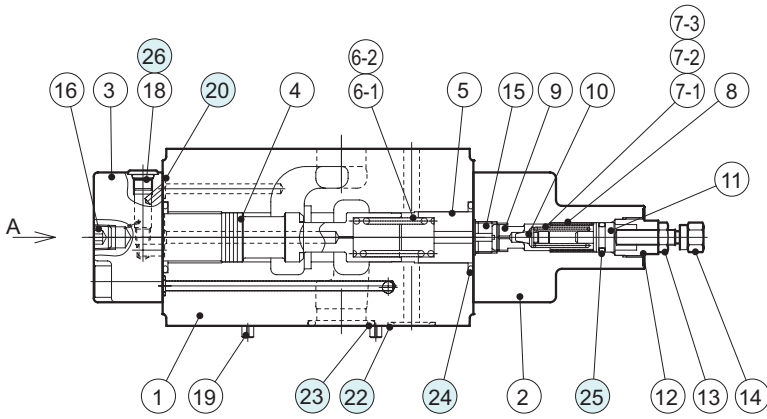
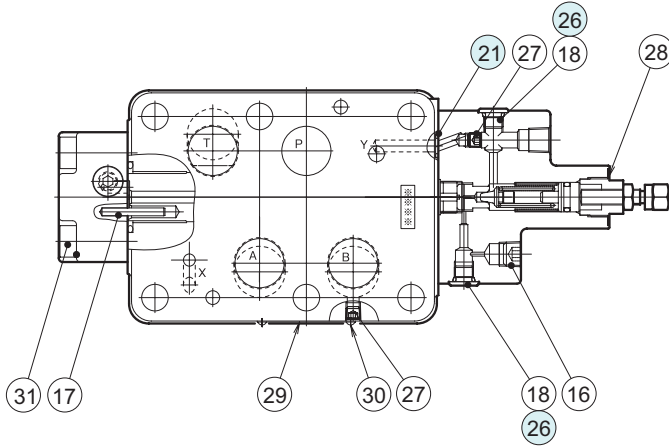
Internet

<https://www.daikinpmc.com/en/>

For latest information, PDF catalogs and operation manuals

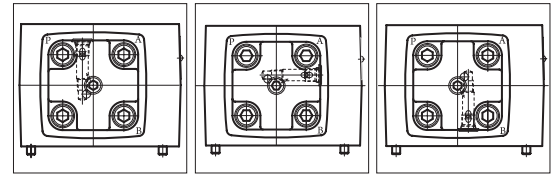
Sectional structural diagram

MG-06



Changing the control port

1. Mount the bottom lid as shown to the left while taking care about the position of the G $\frac{1}{8}$ hexagon socket thread plug with flange in the side face of the bottom lid.
2. Note that the tightening torque for the mounting bolts (M10 \times 40) of the bottom lid should be from 47.0 to 61.7 N·m.



MG-06P

MG-06A

MG-06B

Sealing part table

Part No.	Name	Quantity	Part specifications
20	O-ring	3	JIS B 2401 1B P7
21	O-ring	1	JIS B 2401 1B P9
22	O-ring	2	JIS B 2401 1B P20
23	O-ring	4	JIS B 2401 1B P28
24	O-ring	2	JIS B 2401 1B P30
25	O-ring	1	JIS B 2401 1A P11
26	O-ring	3	JIS B 2401 1B P8