

Contact Details

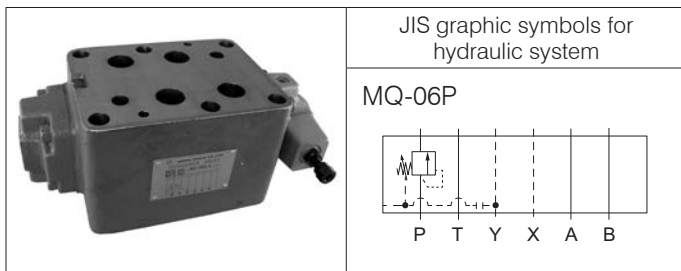
Before using the product, please check the guide pages at the front of this catalog.

Internet

<https://www.daikinpmc.com/en/>

For latest information, PDF catalogs and operation manuals

06 Series Stacking Type Port P Sequence Valves



Nomenclature

MQ - 06 P - 2 ※ - 11

1 2 3 4 5 6

1 Model No.

(Applicable fluids: petroleum-based hydraulic oil)

MQ: Modular stacking type pressure control valve

2 Nominal diameter

06: $\frac{3}{4}$

3 Control port

P: Port P

4 Function code

2: Sequence valve

5 Pressure adjustment range

A: 0.25 to 0.85 MPa { 2.5 to 8.5 kgf/cm² }

B: 0.5 to 1.75 MPa { 5 to 17.5 kgf/cm² }

C: 0.85 to 3.5 MPa { 8.5 to 35 kgf/cm² }

D: 1.75 to 7 MPa { 17.5 to 70 kgf/cm² }

E: 3.5 to 14 MPa { 35 to 140 kgf/cm² }

6 Design No.

(The design No. is subject to change)

Specifications

Model code	Maximum operating pressure MPa {kgf/cm ² }	Maximum flow rate L/min	Pressure adjustment range *1 MPa {kgf/cm ² }	Mass kg	Pressure change MPa {kgf/cm ² } per screw revolution
MQ-06P-2A-11	21 {210}	120	0.25 to 0.85 { 2.5 to 8.5 }	11	0.075 { 0.75 }/revolution
MQ-06P-2B-11			0.5 to 1.75 { 5 to 17.5 }		0.25 { 2.5 }/revolution
MQ-06P-2C-11			0.85 to 3.5 { 8.5 to 35 }		0.31 { 3.1 }/revolution
MQ-06P-2D-11			1.75 to 7 { 17.5 to 70 }		0.6 { 6 }/revolution
MQ-06P-2E-11			3.5 to 14 { 35 to 140 }		2 { 20 }/revolution

Note: *1 The pressure adjustment ranges are indicated using cracking pressures.

Handling

- Directly connect the drain piping to the tank without merging it with other tank piping.
- When connecting two or more of these valves for sequential operation, set the valve pressures such that there is a minimum difference of 1 MPa {10 kgf/cm²} between two valves.

Contact Details

Before using the product, please check the guide pages at the front of this catalog.

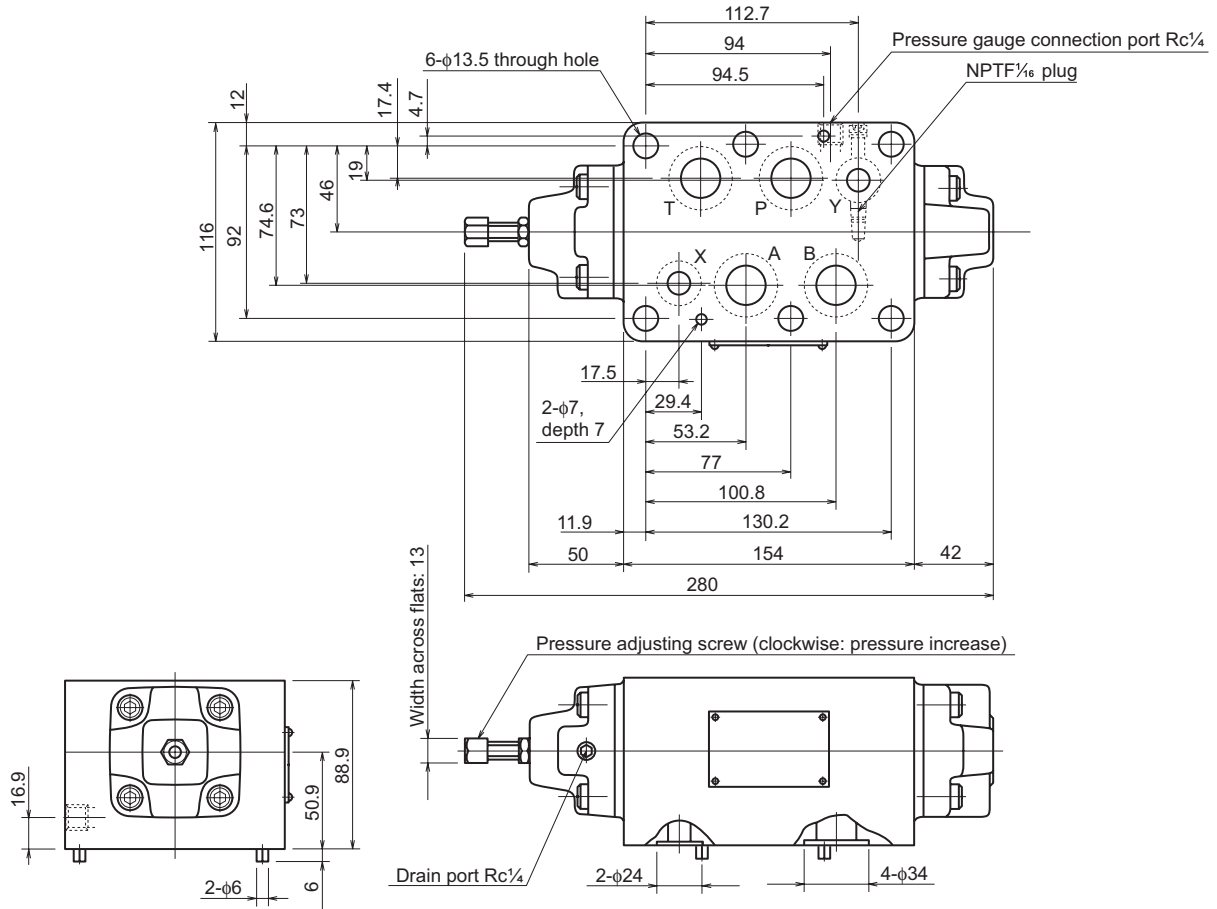
Internet

<https://www.daikinpmc.com/en/>

For latest information, PDF catalogs and operation manuals

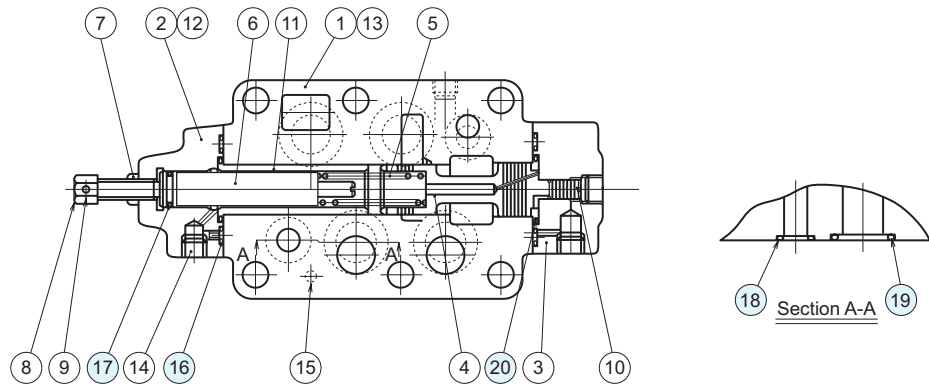
External dimension diagram

MQ-06P



Sectional structural diagram

MQ-06P



Sealing part table

Part No.	Name	Quantity	Part specifications
16	O-ring	4	JIS B 2401 1BP6
17	O-ring	1	JIS B 2401 1BP16
18	O-ring	2	JIS B 2401 1BP20
19	O-ring	4	JIS B 2401 1BP28
20	O-ring	2	JIS B 2401 1BG30