

## Contact Details

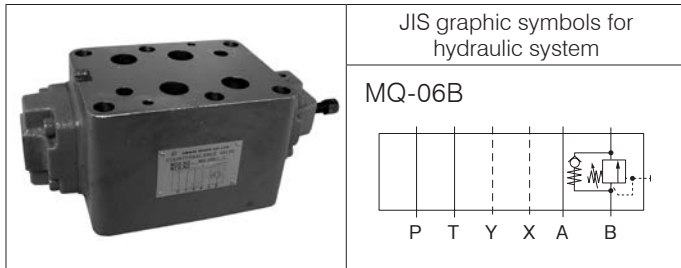
Before using the product, please check the guide pages at the front of this catalog.

Internet

<https://www.daikinpmc.com/en/>

For latest information, PDF catalogs and operation manuals

# 06 Series Stacking Type Port B Counter Balance Valves



## Nomenclature

**MQ - 06 B - 1 ※ - 11**

1      2      3      4      5      6

- |   |   |
|---|---|
| <p><b>1 Model No.</b><br/>(Applicable fluids: petroleum-based hydraulic oil)<br/>MQ: Modular stacking type counter balance valve</p> <p><b>2 Nominal diameter</b><br/>06: 3/4</p> <p><b>3 Control port</b><br/>B: Port B</p> <p><b>4 Function code</b><br/>1: Counter balance valve</p> | <p><b>5 Pressure adjustment range</b><br/>A: 0.25 to 0.85 MPa { 2.5 to 8.5 kgf/cm<sup>2</sup> }<br/>B: 0.5 to 1.75 MPa { 5 to 17.5 kgf/cm<sup>2</sup> }<br/>C: 0.85 to 3.5 MPa { 8.5 to 35 kgf/cm<sup>2</sup> }<br/>D: 1.75 to 7 MPa { 17.5 to 70 kgf/cm<sup>2</sup> }<br/>E: 3.5 to 14 MPa { 35 to 140 kgf/cm<sup>2</sup> }</p> <p><b>6 Design No.</b><br/>(The design No. is subject to change)</p> |
|---|---|

## Specifications

Model code	Maximum operating pressure MPa {kgf/cm <sup>2</sup> }	Maximum flow rate L/min	Pressure adjustment range *1 MPa {kgf/cm <sup>2</sup> }	Check valve cracking pressure MPa {kgf/cm <sup>2</sup> }	Mass kg	Pressure change MPa {kgf/cm <sup>2</sup> } per screw revolution
MQ-06B-1A-11	21 {210}	120	0.25 to 0.85 { 2.5 to 8.5 }	0.05 {0.5}	12.8	0.075 { 0.75 }/revolution
MQ-06B-1B-11			0.5 to 1.75 { 5 to 17.5 }			0.25 { 2.5 }/revolution
MQ-06B-1C-11			0.85 to 3.5 { 8.5 to 35 }			0.31 { 3.1 }/revolution
MQ-06B-1D-11			1.75 to 7 { 17.5 to 70 }			0.6 { 6 }/revolution
MQ-06B-1E-11			3.5 to 14 { 35 to 140 }			2 { 20 }/revolution

Note: \*1 The pressure adjustment ranges are indicated using cracking pressures.

## Handling

- Since this valve is set as internal drain type, connect the secondary port of the valve directly to the tank.

## Contact Details

Before using the product, please check the guide pages at the front of this catalog.

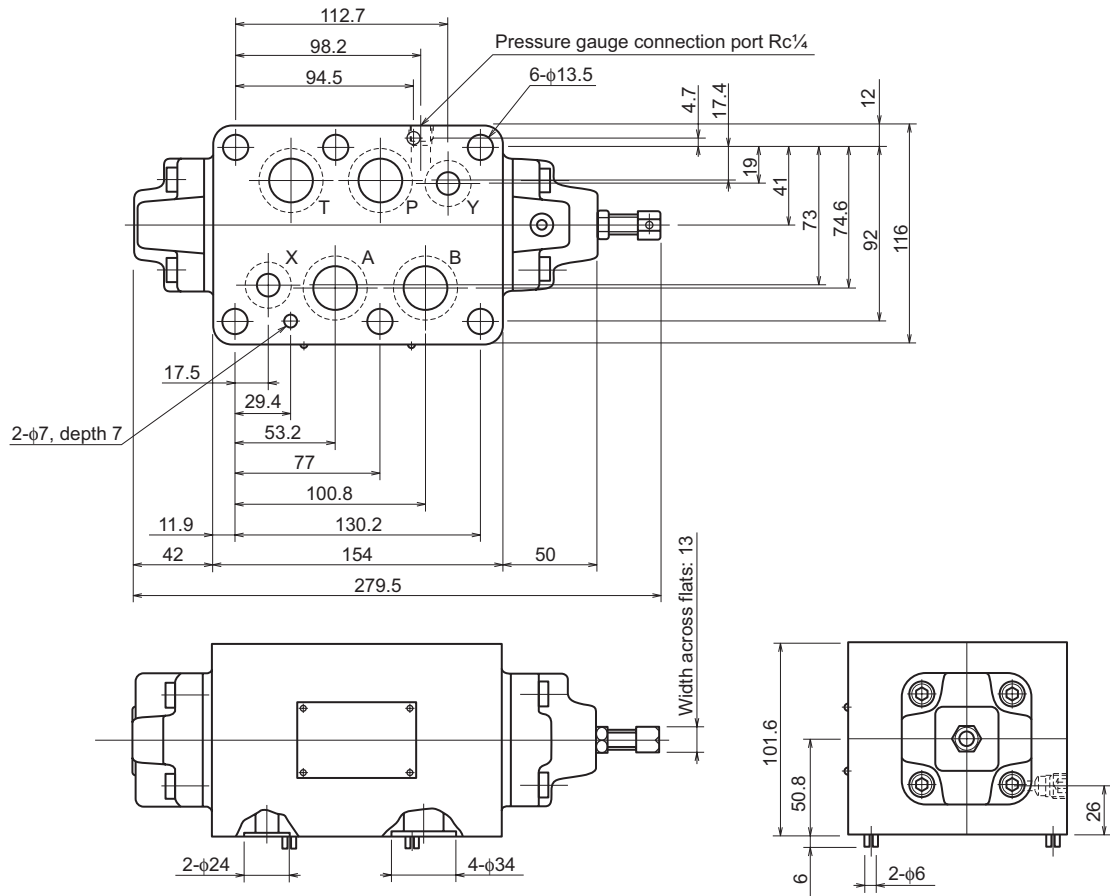
Internet

<https://www.daikinpmc.com/en/>

For latest information, PDF catalogs and operation manuals

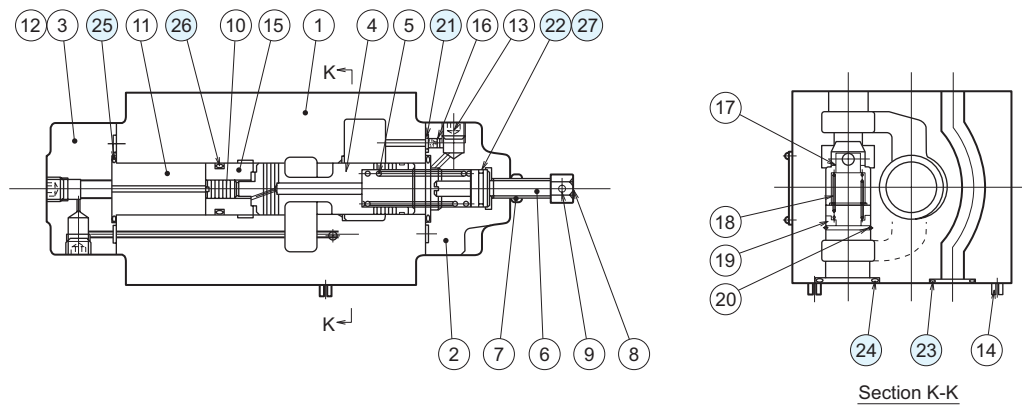
## External dimension diagram

MQ-06B



## Sectional structural diagram

MQ-06B



### Sealing part table

Part No.	Name	Quantity	Part specifications
21	O-ring	4	JIS B 2401 1BP6
22	O-ring	1	JIS B 2401 1BP16
23	O-ring	2	JIS B 2401 1BP20
24	O-ring	4	JIS B 2401 1BP28
25	O-ring	2	JIS B 2401 1BG30
26	O-ring	1	JIS B 2401 1BP22A
27	Backup ring	1	JIS B 2407 Bias cut P16