

Contact Details

Before using the product, please check the guide pages at the front of this catalog.

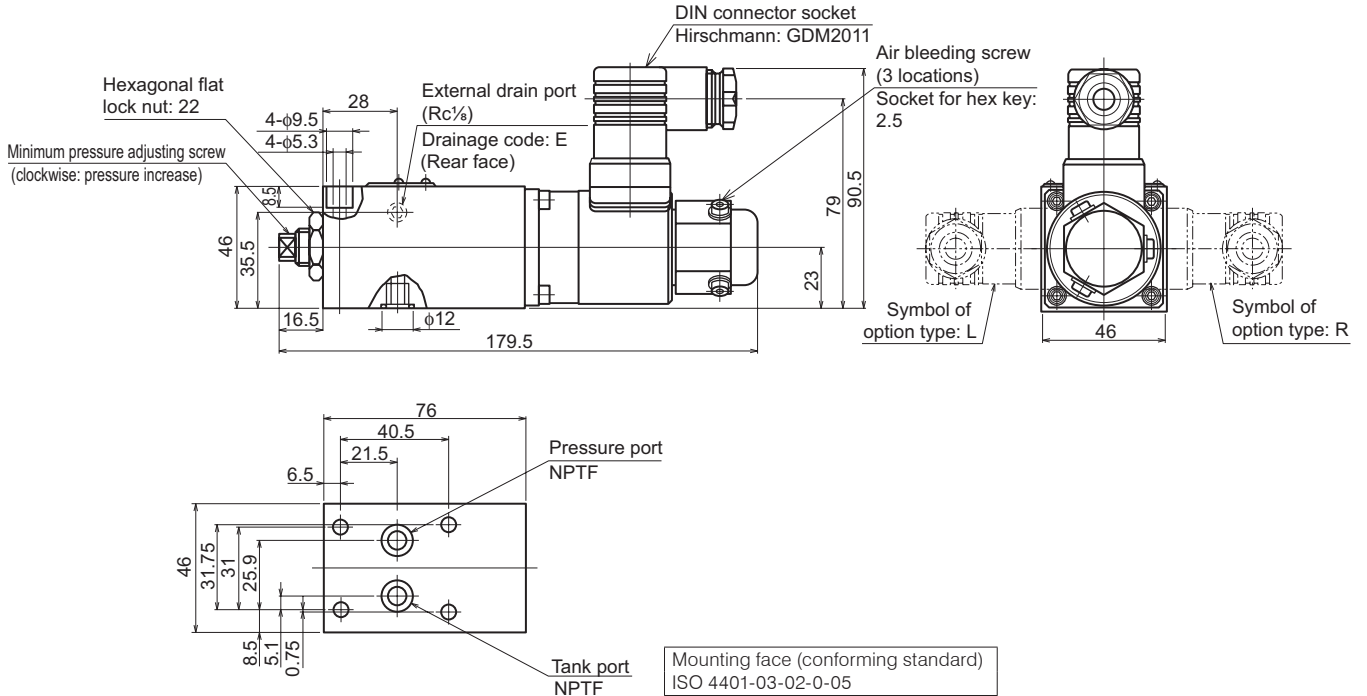
Internet

<https://www.daikinpmc.com/en/>

For latest information, PDF catalogs and operation manuals

External dimension diagram

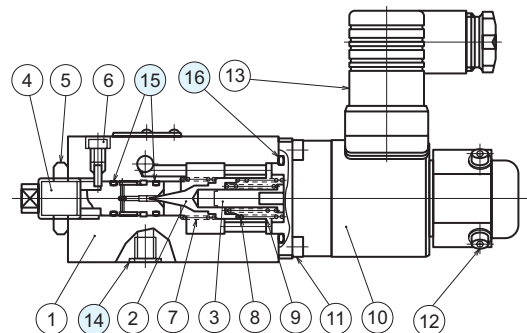
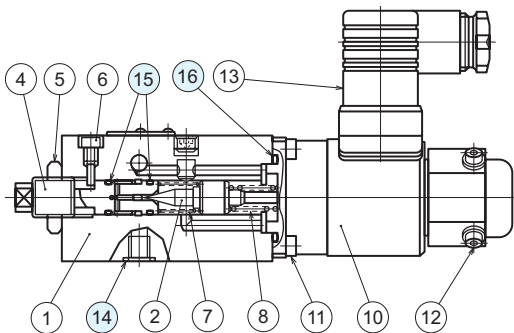
JRP-G02



Sectional structural diagram

JRP-G02-※※-N

JRP-G02-※※-S



Sealing part table

Part No.	Name	Quantity	Part specifications
14	O-ring	2	JIS B 2401 1B P9
15	O-ring	2	AS568-011 (NBR, Hs90)
16	O-ring	1	AS568-121 (NBR, Hs90)