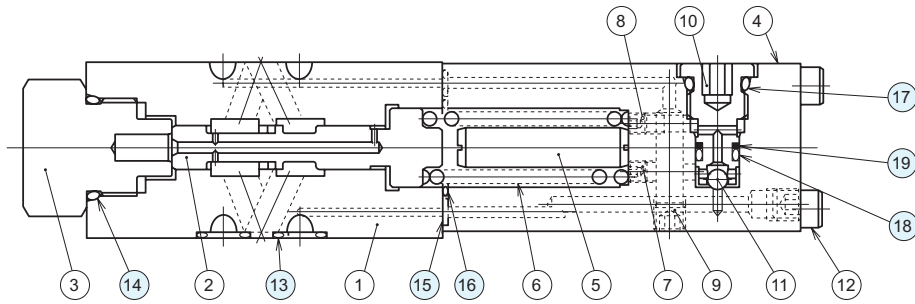


Sectional structural diagram

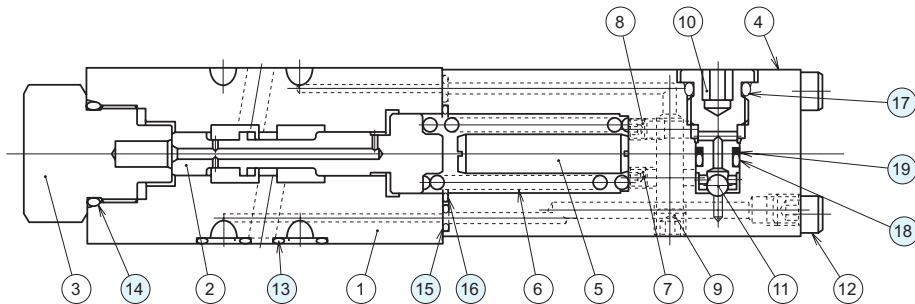
MRS-02W



Sealing part table

Part No.	Name	Quantity	Part specifications
13	O-ring	4	AS568-012 (NBR, Hs90)
14	O-ring	1	JIS B 2401 1B P20
15	O-ring	2	AS568-006 (NBR, Hs90)
16	O-ring	1	AS568-018 (NBR, Hs90)
17	O-ring	1	JIS B 2401 1B P11
18	O-ring	1	JIS B 2401 1B P7
19	Backup ring	1	JIS B 2407 Bias cut P7

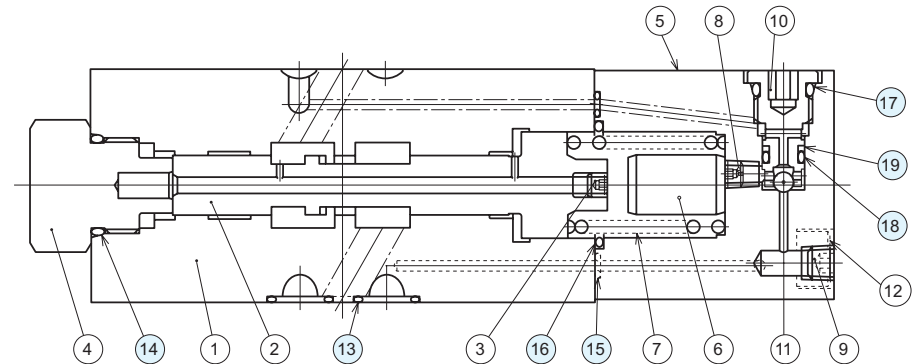
MGS-02W



Sealing part table

Part No.	Name	Quantity	Part specifications
13	O-ring	4	AS568-012 (NBR, Hs90)
14	O-ring	1	JIS B 2401 1B P20
15	O-ring	2	AS568-006 (NBR, Hs90)
16	O-ring	1	AS568-018 (NBR, Hs90)
17	O-ring	1	JIS B 2401 1B P11
18	O-ring	1	JIS B 2401 1B P7
19	Backup ring	1	JIS B 2407 Bias cut P7

MGS-03W



Sealing part table

Part No.	Name	Quantity	Part specifications
13	O-ring	5	AS568-014 (NBR, Hs90)
14	O-ring	1	JIS B 2401 1B P20
15	O-ring	2	AS568-006 (NBR, Hs90)
16	O-ring	1	AS568-120 (NBR, Hs90)
17	O-ring	1	JIS B 2401 1B P11
18	O-ring	1	JIS B 2401 1B P7
19	Backup ring	1	JIS B 2407 Bias cut P7