

Contact Details

Before using the product, please check the guide pages at the front of this catalog.

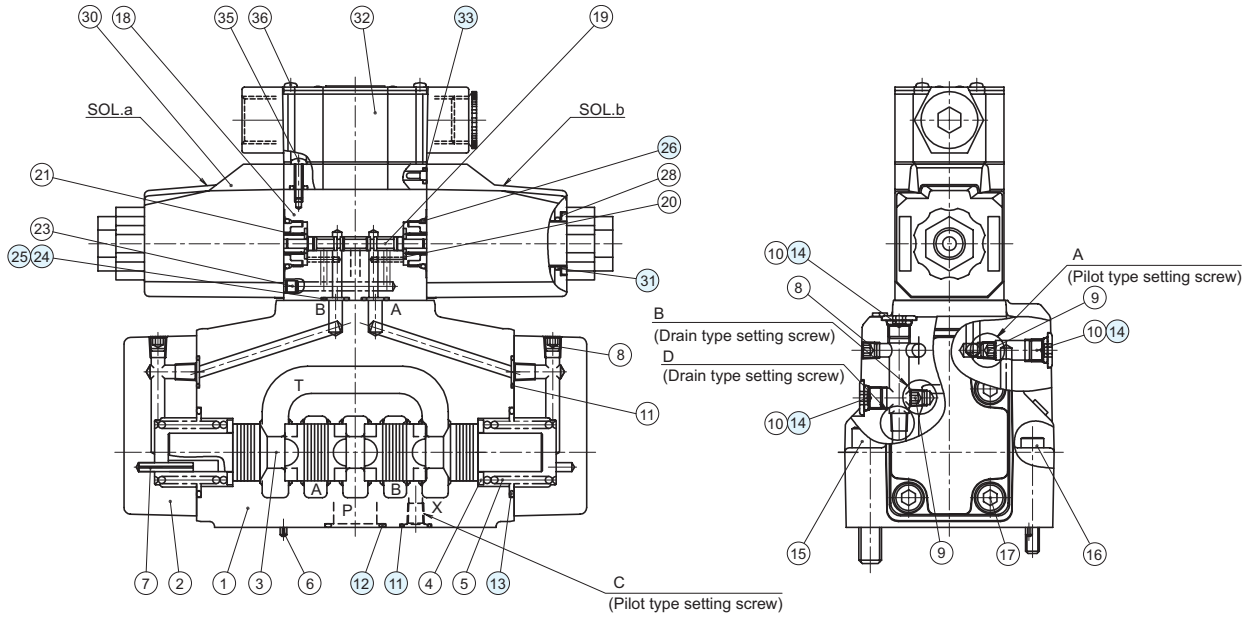
Internet

<https://www.daikinpmc.com/en/>

For latest information, PDF catalogs and operation manuals

Sectional structural diagram

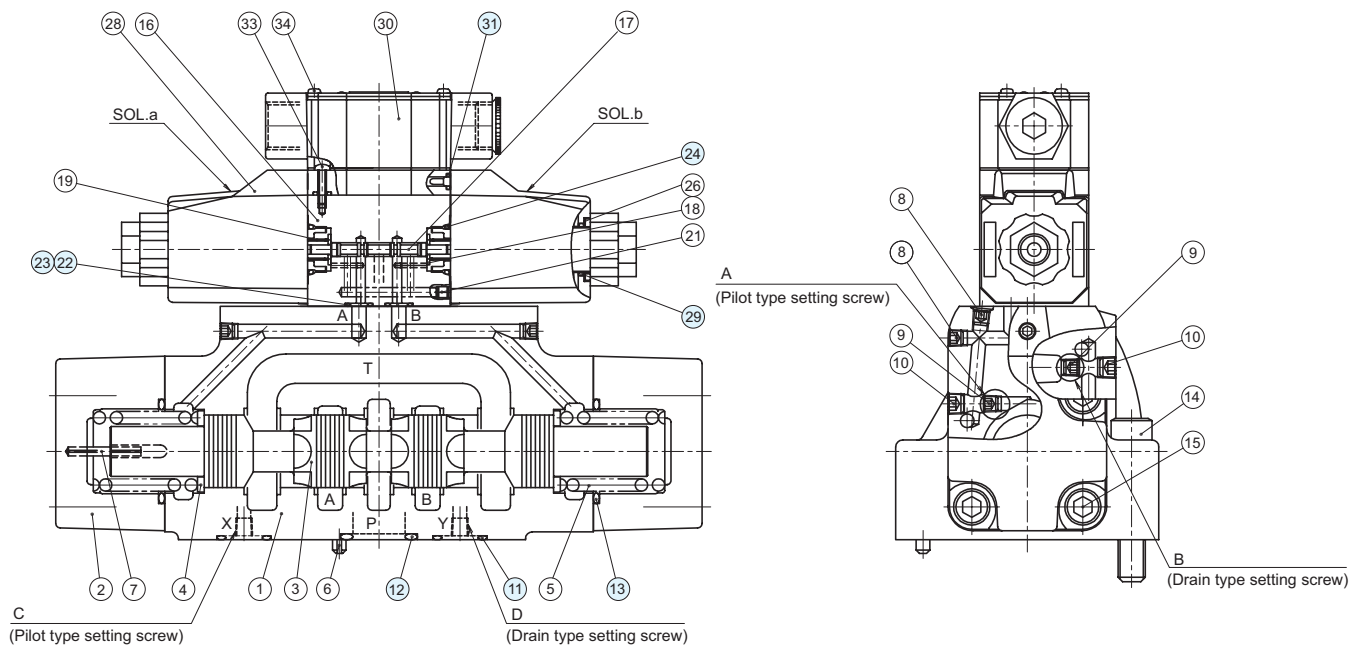
KSHP-G04



Sealing part table

Part No.	Name	Quantity	Part specifications	Part No.	Name	Quantity	Part specifications
11	O-ring	4	AS568-013 Hs90	25	O-ring	2	AS568-009 Hs90
12	O-ring	4	AS568-118 Hs90	26	O-ring	2	JIS B2401 1B P18
13	O-ring	2	AS568-126 Hs90	31	O-ring	4	AS568-019 Hs70
14	O-ring	3	JIS B2401 1B P8	33	O-ring	4	JIS B2401 1A P4
24	O-ring	4	AS568-012 Hs90				

KSHP-G06



Sealing part table

Part No.	Name	Quantity	Part specifications	Part No.	Name	Quantity	Part specifications
11	O-ring	2	JIS B2401 1B P20	23	O-ring	2	AS568-009 Hs90
12	O-ring	4	JIS B2401 1B P28	24	O-ring	2	JIS B2401 1B P18
13	O-ring	2	JIS B2401 1B P40	29	O-ring	4	AS568-019 Hs70
22	O-ring	4	AS568-012 Hs90	31	O-ring	4	JIS B2401 1A P4