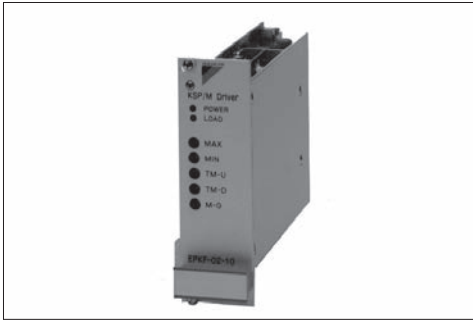


Minor Loop Control Euro Card Type Driver



Features

- Optimize the control of minor feedback control type KSP valves by detecting the spool position with a differential transformer.
- The constant current characteristics suppress the power supply voltage fluctuation, and the output current fluctuation due to temperature rise of the solenoid, to almost zero.
- The output current waveforms (dither frequency, amplitude) are set to optimize the hysteresis and resolution of solenoid operated proportional control valves.
- The PWM (pulse width modulation) control of electrical current minimizes heat generation by the driver.
- The response time adjustment function that smoothly changes output current in response to stepped changes in command inputs enables shockless change of hydraulic output. The response time can be adjusted independently for the rising and falling edges.

Nomenclature

EPK ※ - 02 - 10 - ※

1 2 3 4 5

- | | |
|---|--|
| <p>1 Model No. EPK: Minor loop control Euro card type driver</p> <p>2 Solenoid code D: For double solenoid F: For single solenoid</p> <p>3 Applicable control valve size 02: ¼</p> | <p>4 Design No. (The design No. is subject to change)</p> <p>5 Option code No designation: With panel N: Without panel</p> |
|---|--|

Specifications

| Model code | EPKD-02-10 | EPKF-02-10 |
|---------------------------------|--|--------------------------------|
| Power supply voltage | DC 24 V (Capacity of 2 A minimum) | |
| Permissible voltage fluctuation | -10 to +10% | |
| Applied load | Proportional solenoid (DC 12 V) | |
| Command input | DC 0 to ± 5 V or DC 0 to ±10 V | DC 0 to 5 V or DC 0 to 10 V |
| Output current | 0 to 1600 mA | |
| Power consumption | 50 VA maximum | 45 VA maximum |
| Input impedance | Approx. 30 kΩ | |
| Dither | Factory adjusted | |
| Response time adjustment range | 0.1 to 1.5 seconds (at maximum output) | |
| Operating ambient temperature | 0 to 50°C | |
| Operating ambient humidity | 20 to 90%RH | |
| Vibration resistance | 1 G (9.8 m/sec ²), Frequency: 11.7 to 100 Hz 1 cycle: 15 minutes, 3 directions: 2h each | |
| Mass | 0.5 kg | 0.3 kg |

Contact Details

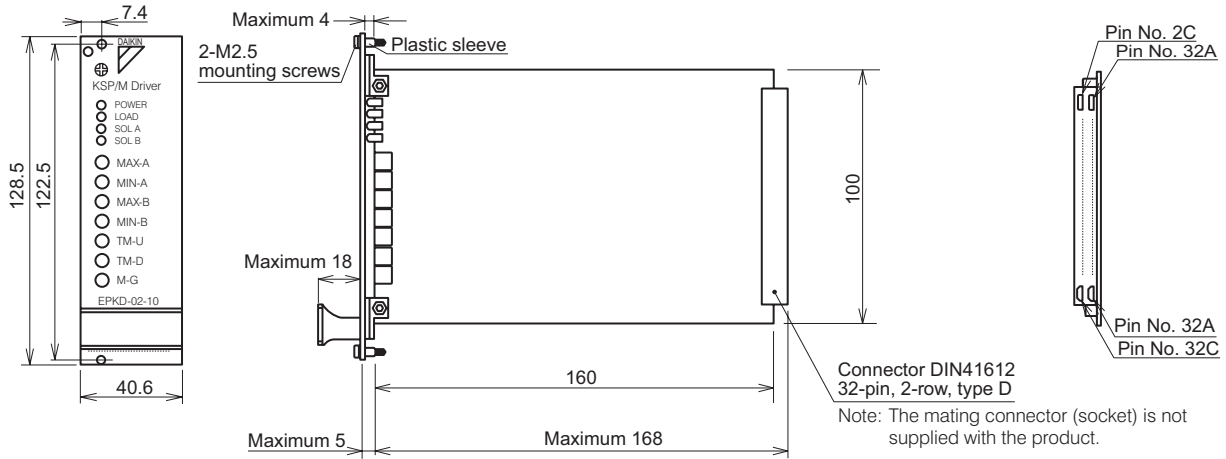
Before using the product, please check the guide pages at the front of this catalog.

Internet

<https://www.daikinpmc.com/en/>

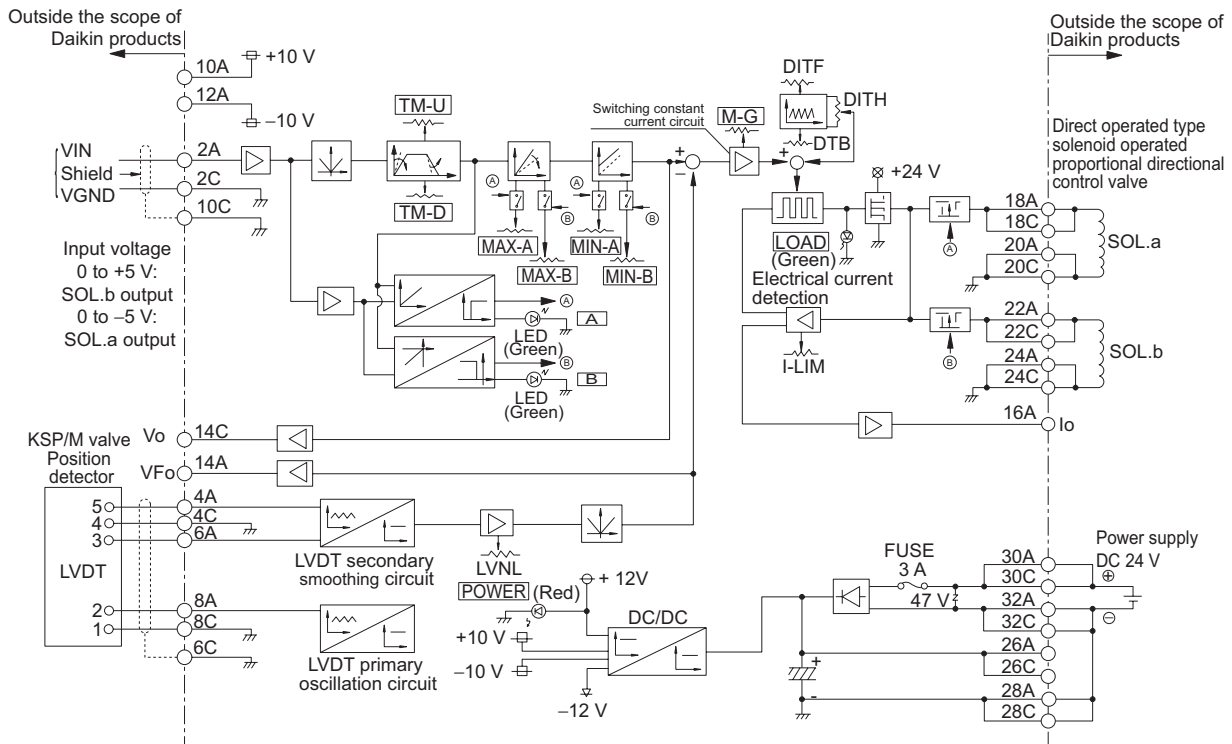
For latest information, PDF catalogs and operation manuals

External dimension diagram



Circuit configuration diagram

EPKD-02-10



Contact Details

Before using the product, please check the guide pages at the front of this catalog.

Internet

<https://www.daikinpmc.com/en/>

For latest information, PDF catalogs and operation manuals

Circuit configuration diagram

EPKF-02-10

