

Contact Details

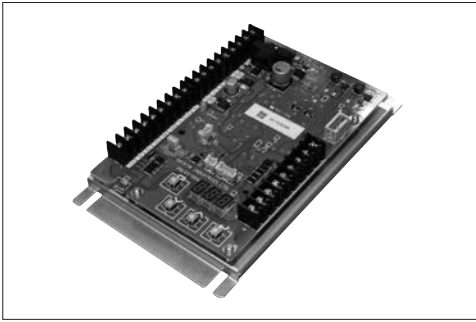
Before using the product, please check the guide pages at the front of this catalog.

Internet

<https://www.daikinpmc.com/en/>

For latest information, PDF catalogs and operation manuals

Controller for proportional valves



Features

- These are the controllers for solenoid pilot operated proportional direction/flow control valves of sizes 04 and 06.*1
- Applicable to general industrial machinery excluding vehicles and vessels
- The command type can be selected as analog or digital.
- Numeric setting with key switches is available for various setting items.
- Micro USB connection to a PC enables easy adjustment of the parameters.

Note: *1 Refer to Page J-50 for details on solenoid pilot operated proportional direction/flow control valves (KSHP).

Nomenclature

ZHDD - **A** - **10**

1

2

3

1 Model No.

ZHDD: Controller for proportional valves

3 Design No.

A: Standard

2 Function code

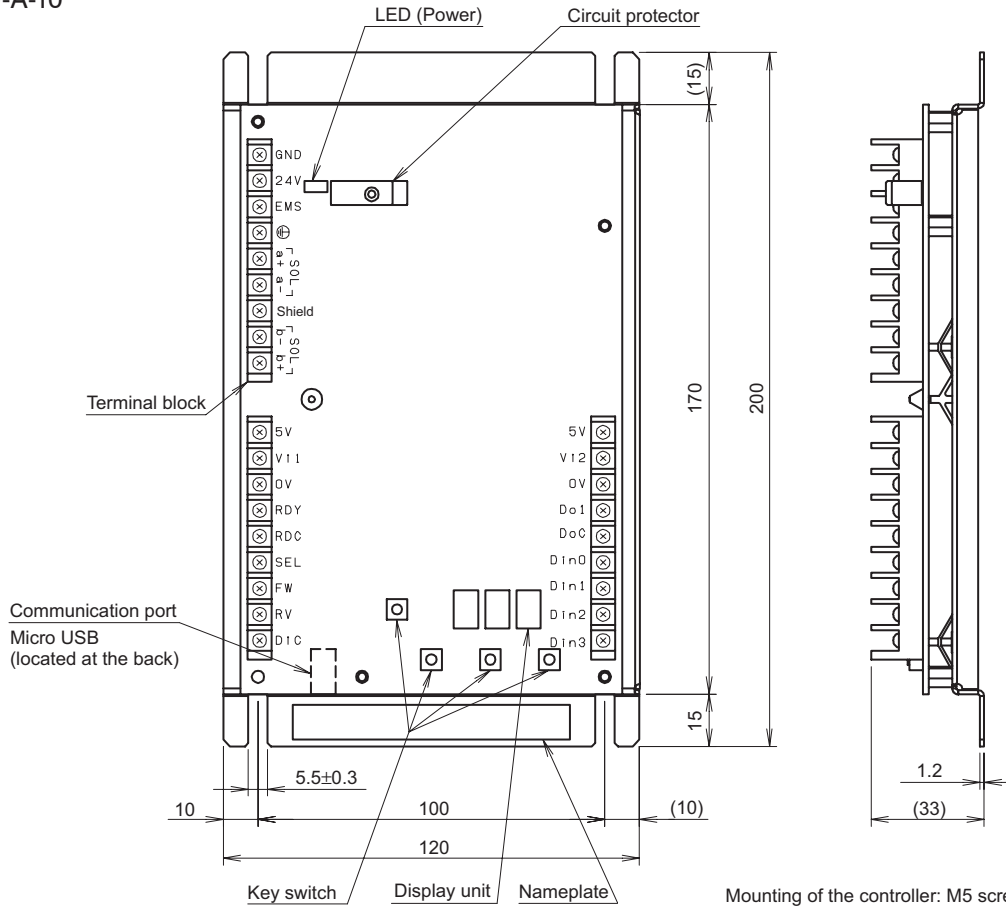
A: Standard

Specifications

Device specifications	Power supply voltage	DC 24 V	
	Permissible voltage fluctuation	-10 to +10%	
	Applied load	Proportional solenoid (DC 12 V)	
	Analog command input	DC 0 to +5V or potentiometer (1 to 5 kΩ)	
	Digital input	FW, RV, D in0-3	DC 24 V / 5 mA (TYP.) / "a" contact / positive/negative common
		EMS	DC 30 V / 50 mA (TYP.) / "b" contact
	Digital output	RDY, DoI	DC 24 V / 25 mA max. / positive/negative common
	Output current	0 to 1600 mA	
	Power consumption	30 VA maximum	
	Input impedance	Approx. 21 kΩ	
	Dither	Automatic optimum setting for each valve model (valve model selected by parameter setting)	
	Auxiliary power supply for potentiometer	1ch.DC 5V	
	Display/setting unit	7-segment LED (3 digits) / key switches (4 keys)	
	Communication function	Micro USB (for parameter adjustment using a PC)	
	Operating ambient temperature	0 to 50°C	
	Operating ambient humidity	90% RH max. (no condensation)	
Vibration resistance	1 G (9.8 m/sec ²), Frequency: 5 to 100 Hz, 1 cycle: 12 minutes, 3 directions: 2h each (conforming to EC60068-2-6)		
Mass	0.4 kg		
Input specifications	Command input	Analog command/digital command (selected by parameter setting)	
	Number of digital inputs	6 channels + 1 channel (emergency stop)	
	Filter	Ramp/temporal delay (selected by parameter setting)	
	Number of digital commands	32 kinds (solenoid a/b side: 16 kinds each)	

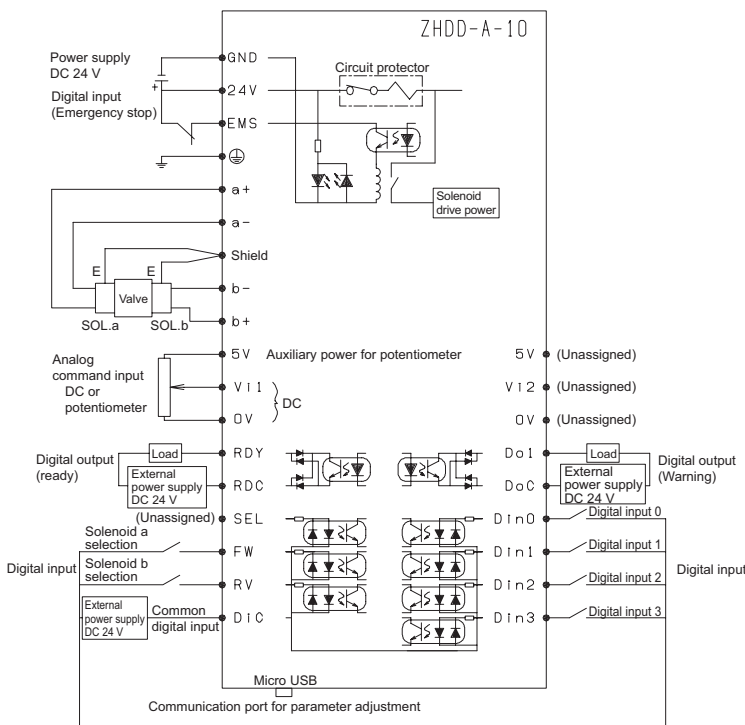
Dimensional outline drawing

ZHDD-A-10



Mounting of the controller: M5 screw, 4 positions

Wiring diagram



Terminal functions

No	Code	Description
1	GND	Power supply GND
2	24V	Power supply DC 24 V
3	EMS	Emergency stop input
4	⊕	Frame ground
5	a+	Current output for solenoid a
6	a-	Current output for solenoid a
7	Shield	Shield for solenoid (common for solenoid a/b)
8	b-	Current output for solenoid b
9	b+	Current output for solenoid b
10	5V	Auxiliary power supply for potentiometer
11	V11	Analog command input
12	0V	Command 0 V
13	RDY	Ready signal output
14	RDC	Common for ready signal output
15	SEL	(Unassigned)
16	FW	Solenoid a selection
17	RV	Solenoid b selection
18	DiC	Common for digital input (DC +24 V or 0 V, bidirectional)
19	5V	(Unassigned)
20	V12	(Unassigned)
21	0V	(Unassigned)
22	Do1	Digital output (warning)
23	DoC	Common for digital output (DC +24 V or 0 V, bidirectional)
24	Din0	Digital input 0
25	Din1	Digital input 1
26	Din2	Digital input 2
27	Din3	Digital input 3