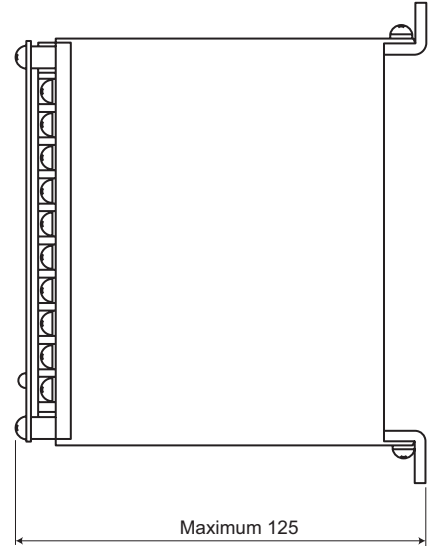
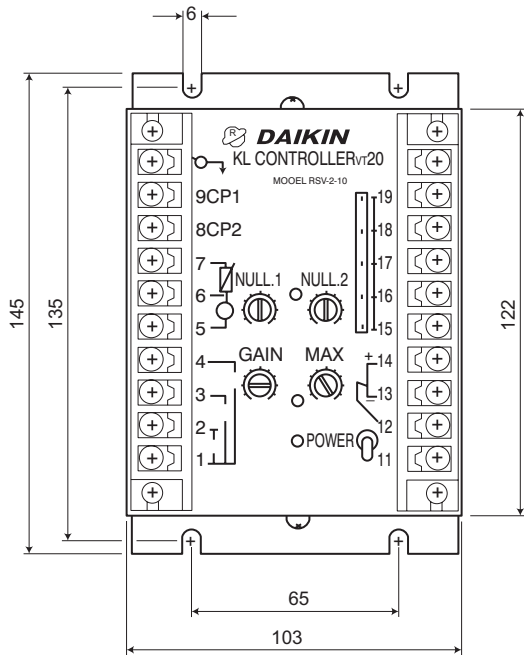
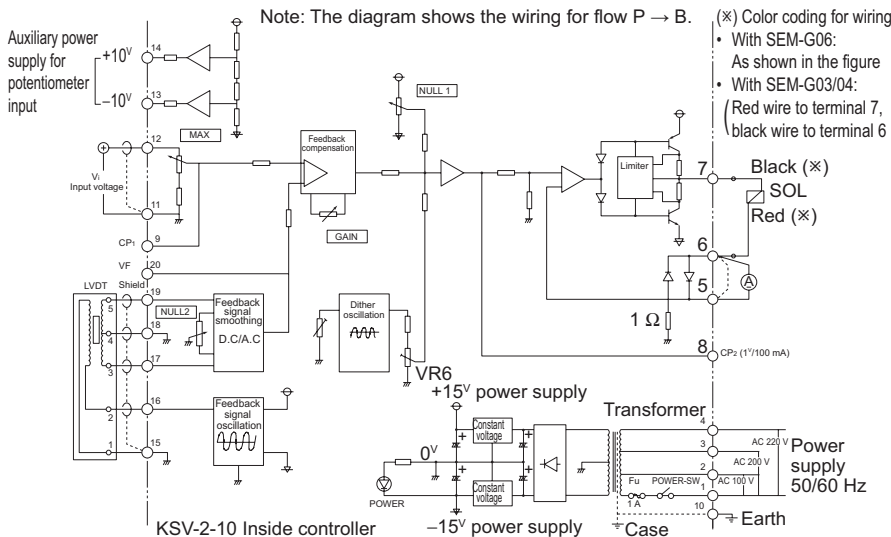


External dimension diagram

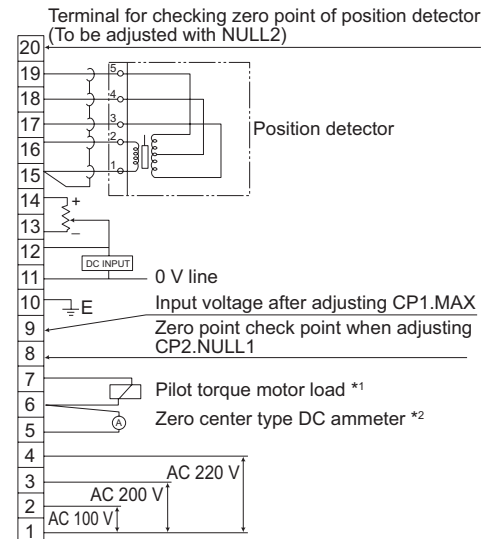
KSV-02-10



Circuit configuration diagram



Wiring diagram



Note: *1 Use the connector provided with the product for wiring to the pilot valve.

Wiring guide

- With G06:
Red lead wire to terminal 6
Black lead wire to terminal 7
Connect the wires as shown above.

- With G03/04:
Black lead wire to terminal 6
Red lead wire to terminal 7
Connect the wires as shown above.
If the wires are connected the wrong way round, the minor feedback control will not function.

*2 Short terminals 5 and 6 when not connecting an ammeter.