

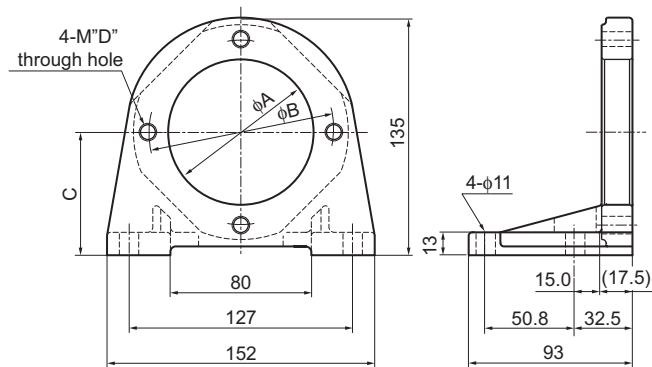
# Foot Supports

## Pump/foot support comparison table

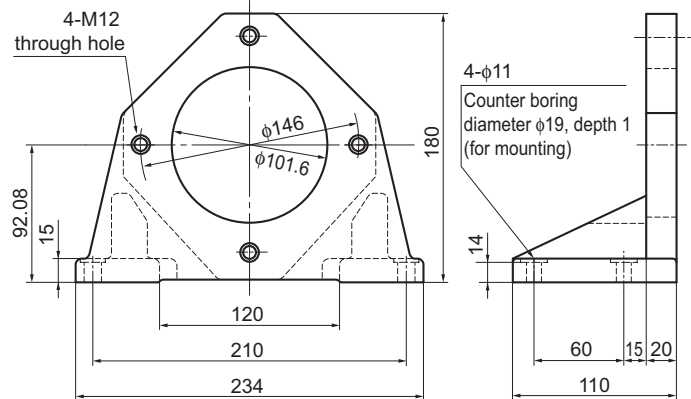
Pump model	Foot support model
V8	V8M-10
V15	V15M
V23, V38	V38M-50
V50, V70, VZ63, VZ80	VR80M-20
VZ50	VR50M-20
VZ100	23F
VZ130	24F
DS10P	DS-10M
DE10, DE20	V15M or FTB-422582
DEV20, DEV25	V38M-50 or FTB-422583
DEV35	VR80M-20 or FTB-422584
DEV45	FTB-422584

## External dimension diagram

V8M-10, V15M

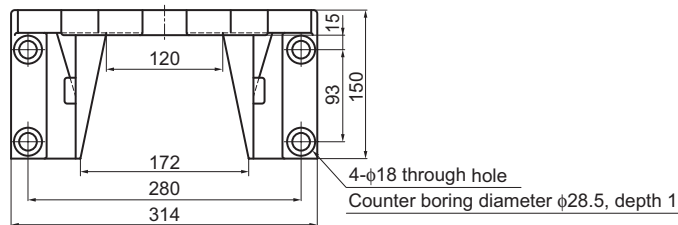


V38M-50 Mass: 4.9 kg

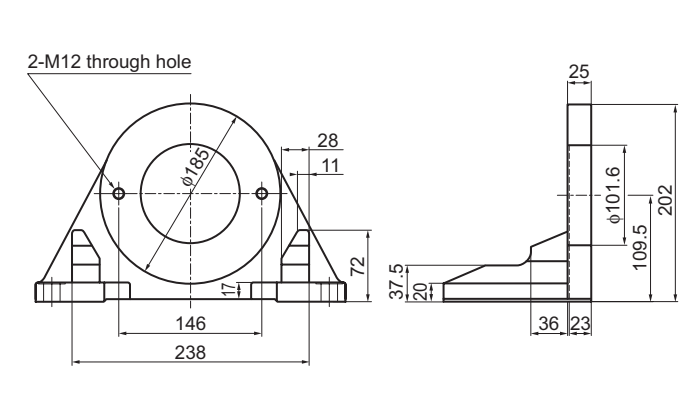
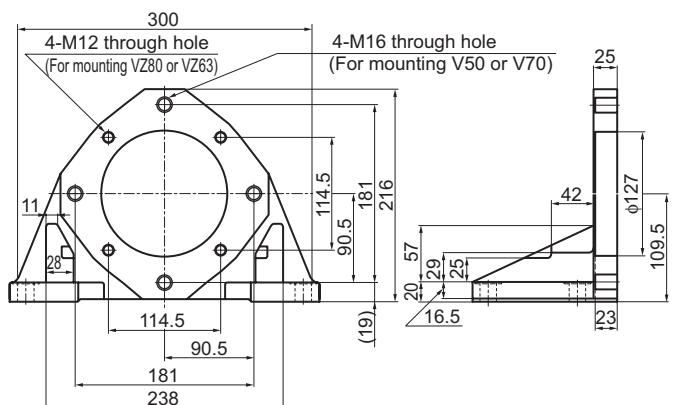
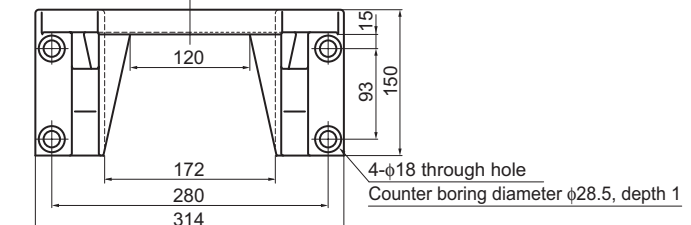


Model	A	B	C	D	Mass	Accessory: High strength hexagon bolt (Strength classification: 10.8T)
V8M-10	63	100	71	8	2.3 kg	M8×16 L (2 pcs.)
V15M	82.55	105.6	69.9	10	2.1 kg	M10×25 L (2 pcs.)

VR80M-20 Mass: 8.3 kg

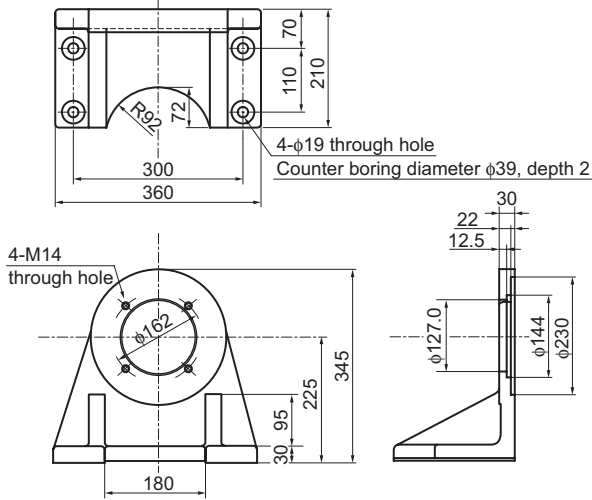


VR50M-20 Mass: 8.5 kg

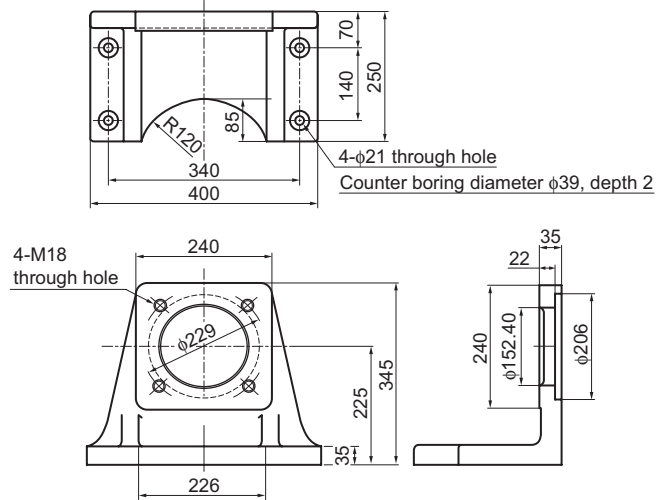


**External dimension diagram**

23F Mass: 30 kg

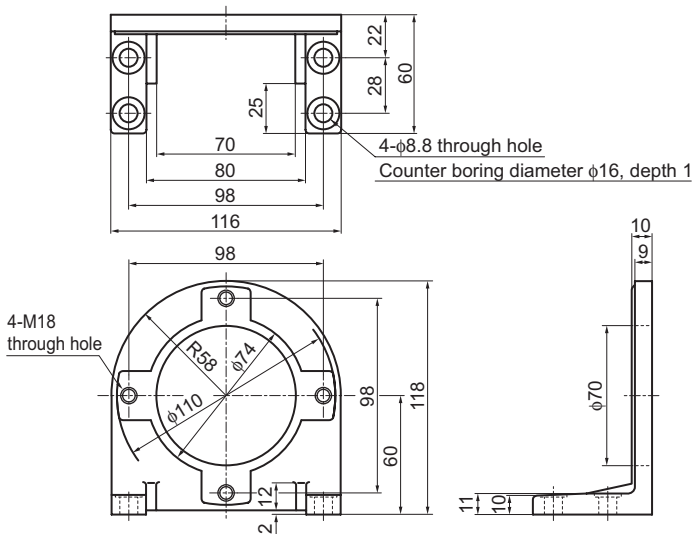


24F Mass: 40 kg



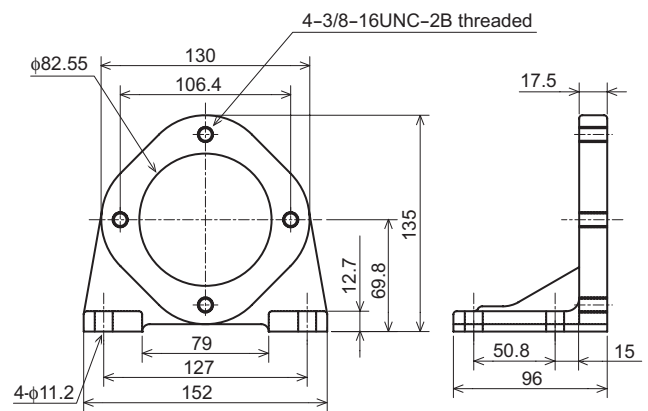
DS-10M Mass: 1.6 kg

Accessory: High strength hexagon bolt  
(Strength classification: 10.8T)  
M8 x 16L (2 pcs.)



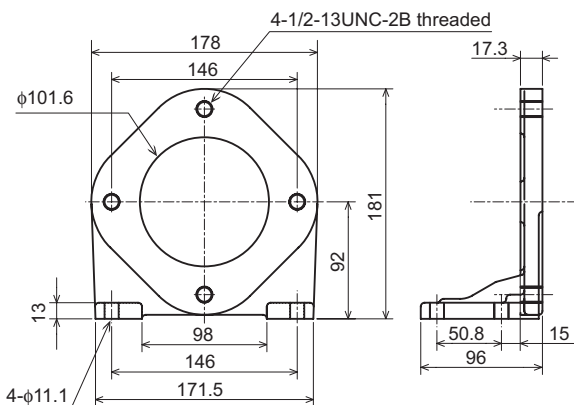
FTB-422582 Mass: 2.0 kg

Accessories: Hexagon bolt  
3/8-16UNC-1.25"L (2 pcs.)



FTB-422583 Mass: 2.7 kg

Accessories: Hexagon bolt  
1/2-13UNC-1.25"L (2 pcs.)



FTB-422584 Mass: 5.9 kg

Accessories: Hexagon bolt  
5/8-11UNC-1.5"L (2 pcs.)

