

Contact Details

Before using the product, please check the guide pages at the front of this catalog.

Internet

<https://www.hyd.daikin.com>

For latest information, PDF catalogs and operation manuals

Super Unit [Double pump type]

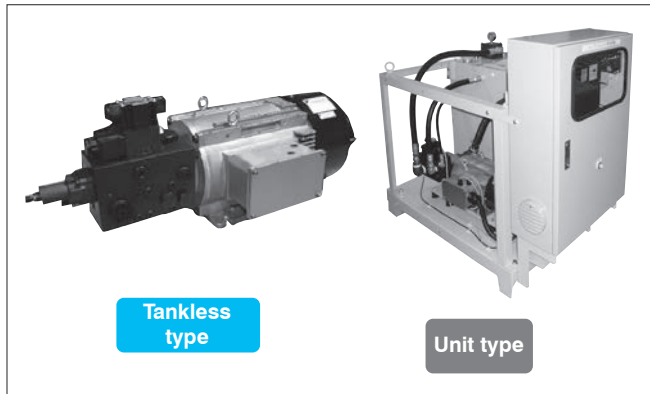
Maximum operating pressure 21 MPa

Maximum flow rate 110 L/min

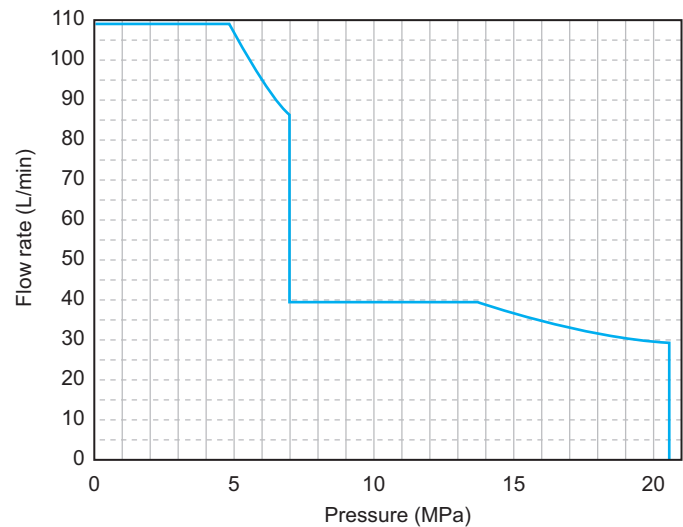
Model code

SUT00D11021-41

P-SUT20D11KW-41



Pressure – Flow rate characteristics (Example)



* The graph shows actual flow rates (representative values).

* Operating flow rate at the maximum pressure in continuous operation:
16 L/min maximum

Specifications

		Tankless type	Unit type
Model code		SUT00D11021-41	P-SUT20D11KW-41
Pump	Maximum operating pressure (MPa)	20.6	
	Operating pressure adjustment range (MPa)	1.5 to 20.6	
	Maximum flow rate (theoretical value) (L/min) *1	110 (110 for combination flow, 40.5 for independent flow)	
	Operating flow rate adjustment range (L/min)	Combination flow: 13.3 to 110, independent flow: 4.9 to 40.5	
Motor	Motor capacity (equivalent kW)	11	
Tank capacity (L)		-	200
Power supply voltage	Motor pump/unit	3-phase 200 V (50 Hz), 200 V (60 Hz), 220 V (60 Hz) (Permissible voltage fluctuation: ±10%)	
Rated current (A)	3-phase 200 V (50 Hz)	38.3	
	3-phase 200 V (60 Hz)	37.8	
	3-phase 220 V (60 Hz)	34.9	
No-fuse breaker capacity (A)		75	
External input signal		5 channels Photo-coupler insulation, DC 24 V (DC 27 V maximum), 5 mA/channel	
External output signal	Digital output	2 channels, photo coupler insulation, FET output, DC 24 V, 50 mA maximum per channel	
	Contact output	1 channel (1 common contact), dry contact, Contact capacity: DC 30 V, 0.5 A	
Operating conditions	Usable oil *2	General petroleum-based hydraulic oil (R&O) / Wear-resistant hydraulic oil • Viscosity grade: ISO VG32 to 68 • Viscosity range: 15 to 400 mm ² /s • Contamination: Within NAS class 9 • Volumetric water content: 0.1% maximum	
	Operating hydraulic oil temperature	0 to 60°C (Recommended operating temperature range: 15 to 50°C)	
	Tank oil temperature	0 to 40°C	
	Storage ambient temperature	-20 to 60°C	
	Operating ambient humidity	85% RH max. (No condensation)	
	Waterproof protection rating	(Controller) IP44	
	Installation site	Indoors (Be sure to secure the unit with bolts.)	
Vibration resistance	Motor pump	30.0 m/s ² , 33.3 Hz, 3 directions, X/Y: 2 Hr, Z: 4 Hr	
	Controller	21.6 m/s ² , 33.3 Hz, 3 directions, X/Y: 2 Hr, Z: 4 Hr	
Standard coating color		Ivory white (Munsell code 5Y7.5/1)	
Mass (kg)		112	360

Note) *1: The pump flow rate has been factory-set to the maximum flow rate. The maximum flow rate given in the table above is a theoretical value, not a guaranteed value.

*2: Consult DAIKIN about the use of hydraulic oils other than petroleum-based oil (e.g. hydrous/synthetic) such as water-glycol hydraulic oil. Keep the contamination level of the hydraulic oil within NAS contamination class 10 for operating pressures of 7 MPa or lower.

*3: The unit incorporates a safety valve.

*4: When selecting a Super Unit, refer to "Pressure-Flow rate characteristics" and the description of how to select a unit in the separate catalog for Super Units.

For the purpose of making improvements, the specifications given in catalogs are subject to change without prior notice. Be sure to refer to the latest outside drawing.

Contact Details

Before using the product, please check the guide pages at the front of this catalog.

Internet

<https://www.hyd.daikin.com>

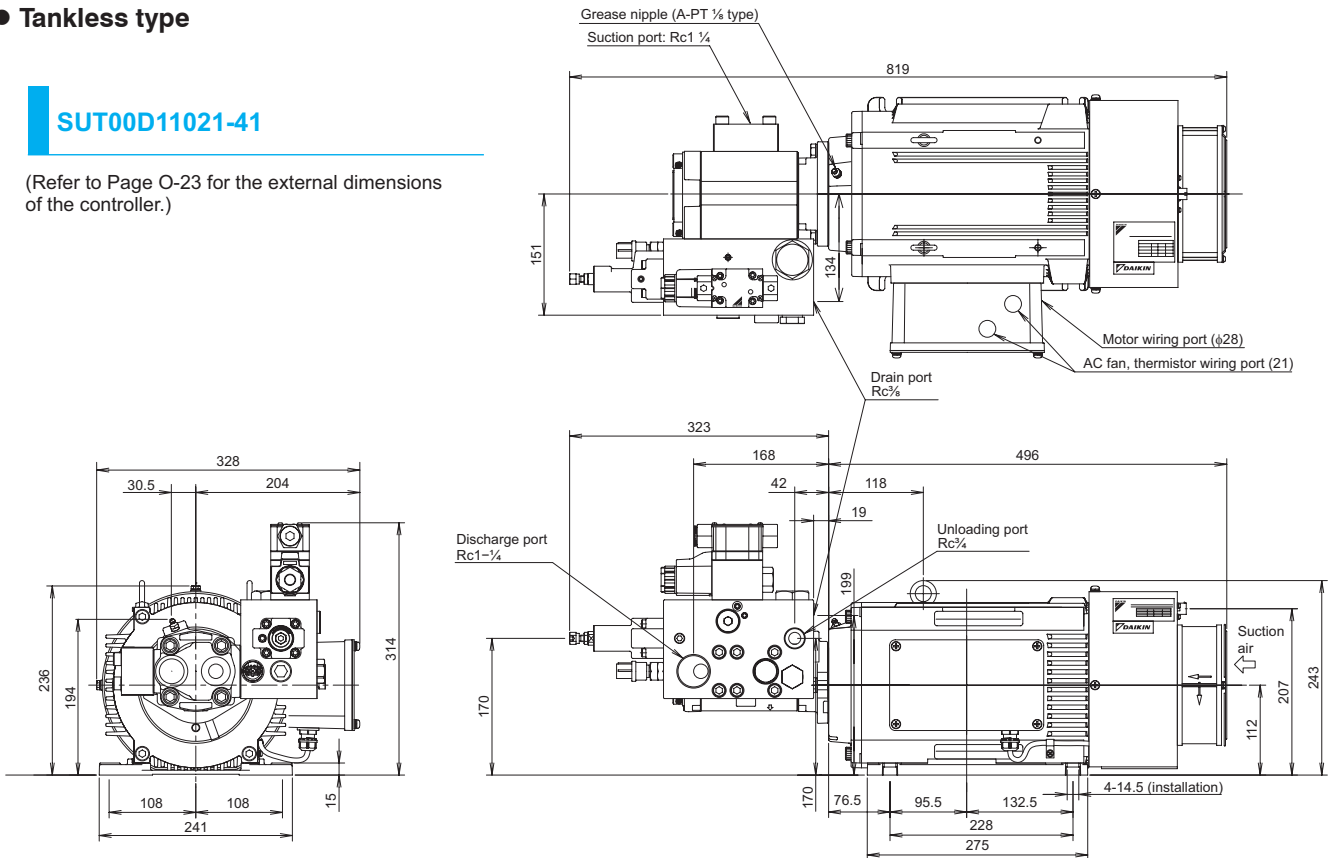
For latest information, PDF catalogs and operation manuals

External dimension diagram

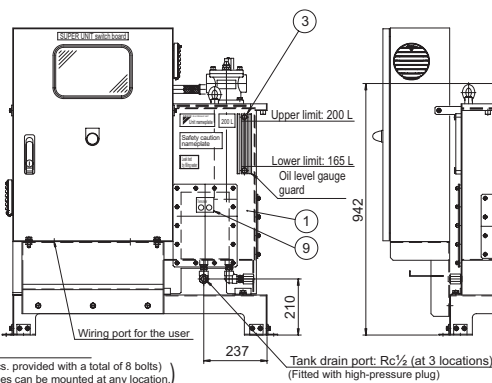
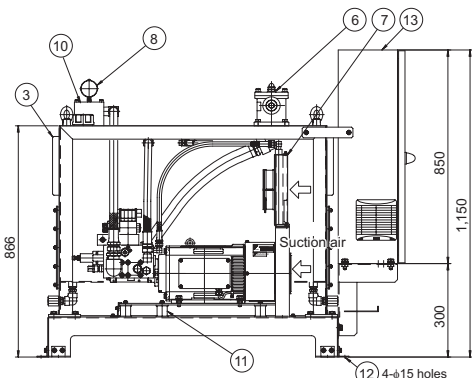
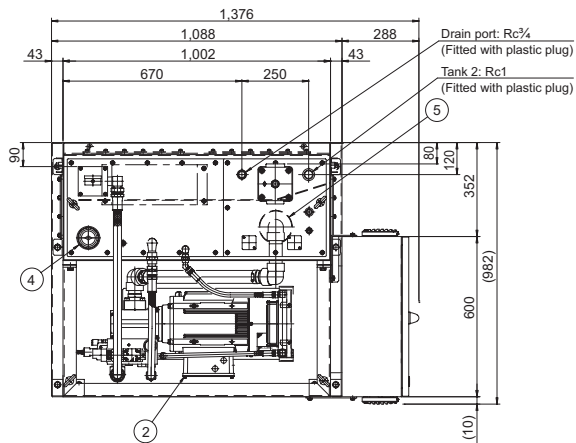
● Tankless type

SUT00D11021-41

(Refer to Page O-23 for the external dimensions of the controller.)

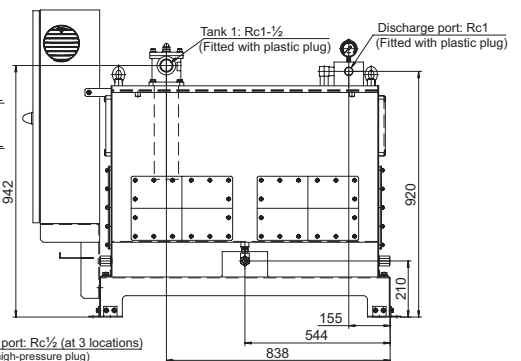


● Unit type



P-SUT20D11KW-41

Part No.	Name	Quantity
1	Oil tank	1
2	Motor pump	1
3	Oil level gauge	2
4	Oil filler port with air breather	1
5	Suction strainer	1
6	Return filter	1
7	Oil cooler	1
8	Pressure gauge	1
9	Thermometer	1
10	Outlet block	1
11	Vibration-absorbing rubber	6
12	Foundation plate	4
13	Electrical cabinet	1



(The base plates (4 pcs. provided with a total of 8 bolts) supplied as accessories can be mounted at any location. Secure the unit to the floor before using it.)