

Contact Details

Before using the product, please check the guide pages at the front of this catalog.

Internet

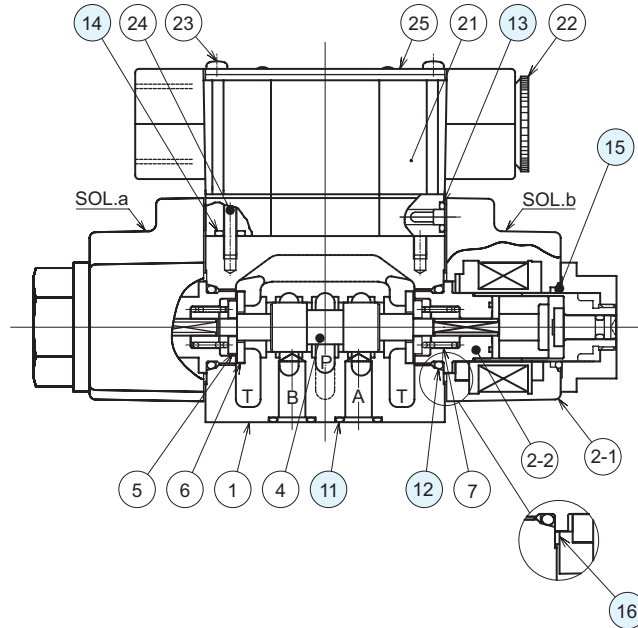
<https://www.daikinpmc.com/en/>

For latest information, PDF catalogs and operation manuals

Sectional structural diagram

LS-G02

(Terminal box type)

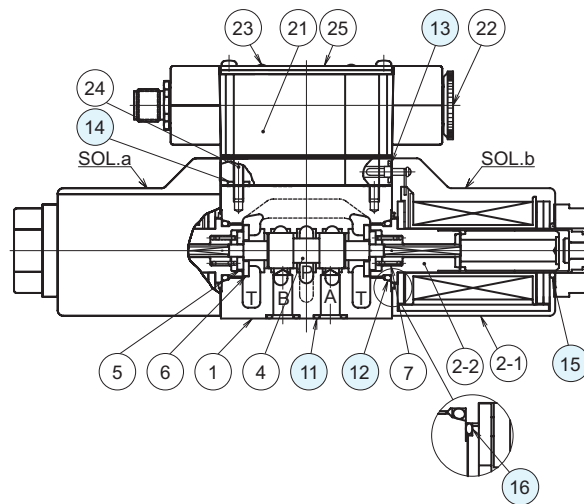


Sealing part table

| Part No. | Name | Quantity | | Part specifications |
|----------|---------------|----------|----|-----------------------|
| | | AC | DC | |
| 11 | O-ring | 4 | 4 | AS568-012 (NBR, Hs90) |
| 12 | O-ring | 2 | 2 | JIS B 2401 1B P18 |
| 13 | O-ring | 4 | 4 | JIS B 2401 1A P4 |
| 14 | O-ring | 3 | 3 | JIS B 2401 1A P5 |
| 15 | O-ring | 2 | - | JIS B 2401 1A P18 |
| | | - | 2 | JIS B 2401 1A P16 |
| 16 | Sheet packing | 2 | - | NBR, Hs65 |
| | O-ring | - | 2 | AS568-021 (NBR, Hs70) |

LS-G02

(M12-4-pin connector specifications)



Sealing part table

| Part No. | Name | Quantity | Part specifications |
|----------|---------------|----------|-----------------------|
| 11 | O-ring | 4 | AS568-012 (NBR, Hs90) |
| 12 | O-ring | 2 | JIB B 2401 1B P18 |
| 13 | O-ring | 4 | JIB B 2401 1A P4 |
| 14 | O-ring | 3 | JIB B 2401 1A P5 |
| 15 | O-ring | 2 | JIB B 2401 1A P16 |
| 16 | Sheet packing | 2 | AS568-021 (NBR, Hs70) |