

## Contact Details

Before using the product, please check the guide pages at the front of this catalog.

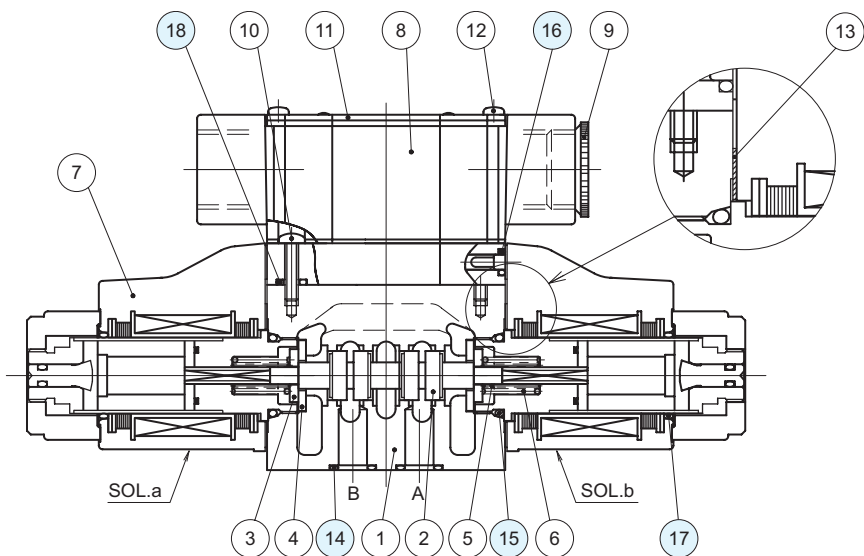
Internet

<https://www.daikinpmc.com/en/>

For latest information, PDF catalogs and operation manuals

## Sectional structural diagram

- KSO-G02
- KSO-G02-※C※-30

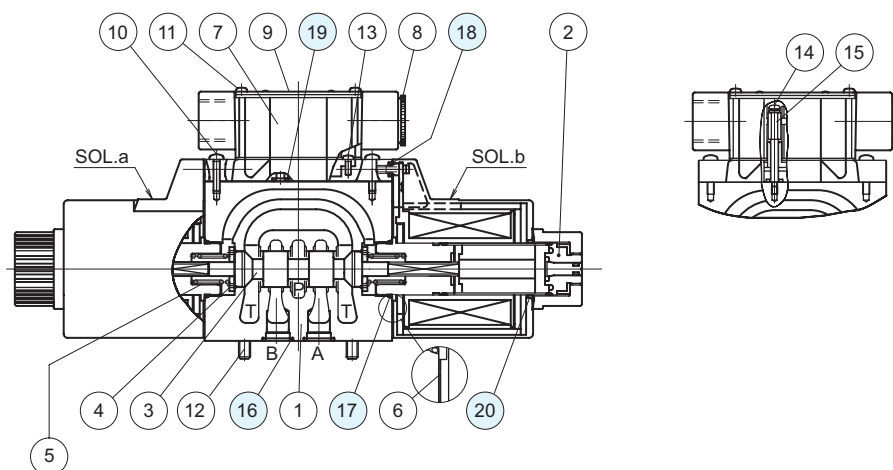


Sealing part table

Part No.	Name	Quantity	Part specifications
14	O-ring	4	AS568-012 (NBR, Hs90)
15	O-ring	2	JIS B 2401 1B P18
16	O-ring	4	JIS B 2401 1A P4
17	O-ring	2	JIS B 2401 1A P20
18	O-ring	3	JIS B 2401 1A P5

- KSO-G03
- KSO-G03-※C※-20

- KSO-G03-※C※-20-E



Sealing part table

Part No.	Name	Quantity	Part specifications
16	O-ring	5	AS568-014 (NBR, Hs90)
17	O-ring	2	AS568-022 (NBR, Hs90)
18	O-ring	4	JIS B 2401 1A P4
19	O-ring	1	JIS B 2401 1A P5
20	O-ring	2	S 26 (NBR, Hs70) Manufacturer: NOK