

Contact Details

Before using the product, please check the guide pages at the front of this catalog.

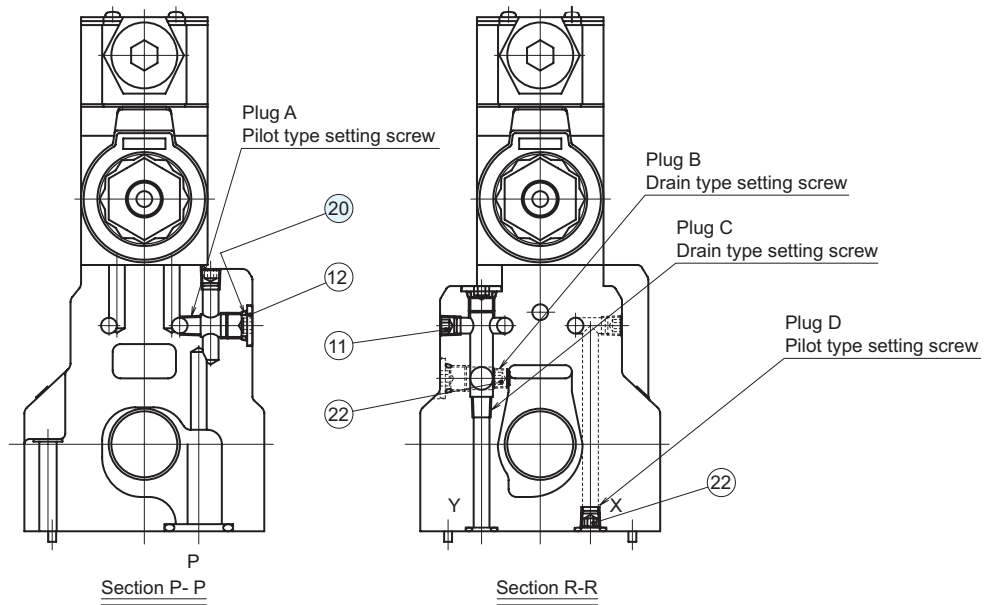
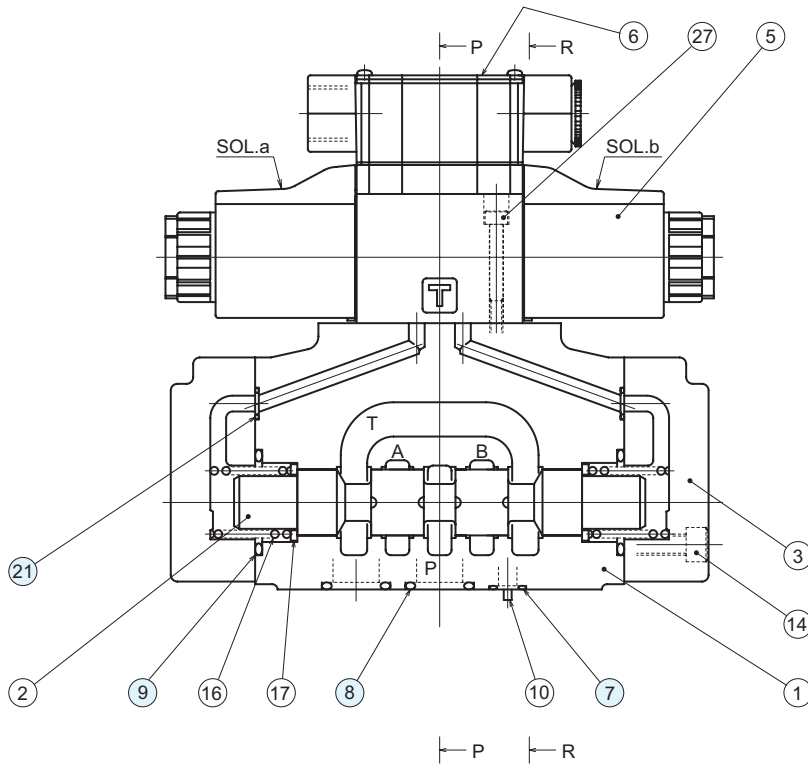
Internet

<https://www.daikinpmc.com/en/>

For latest information, PDF catalogs and operation manuals

Sectional structural diagram

KSH-G04-2C



Sealing part table

Part No.	Name	Quantity		Part specifications
		Type C, B, D	Type H	
7	O-ring	2	3	JIS B 2401 1B P10A
8	O-ring	4	4	JIS B 2401 1B P22
9	O-ring	2	2	JIS B 2401 1B P34
20	O-ring	3	3	JIS B 2401 1B P8
21	O-ring	2	2	JIS B 2401 1B P9