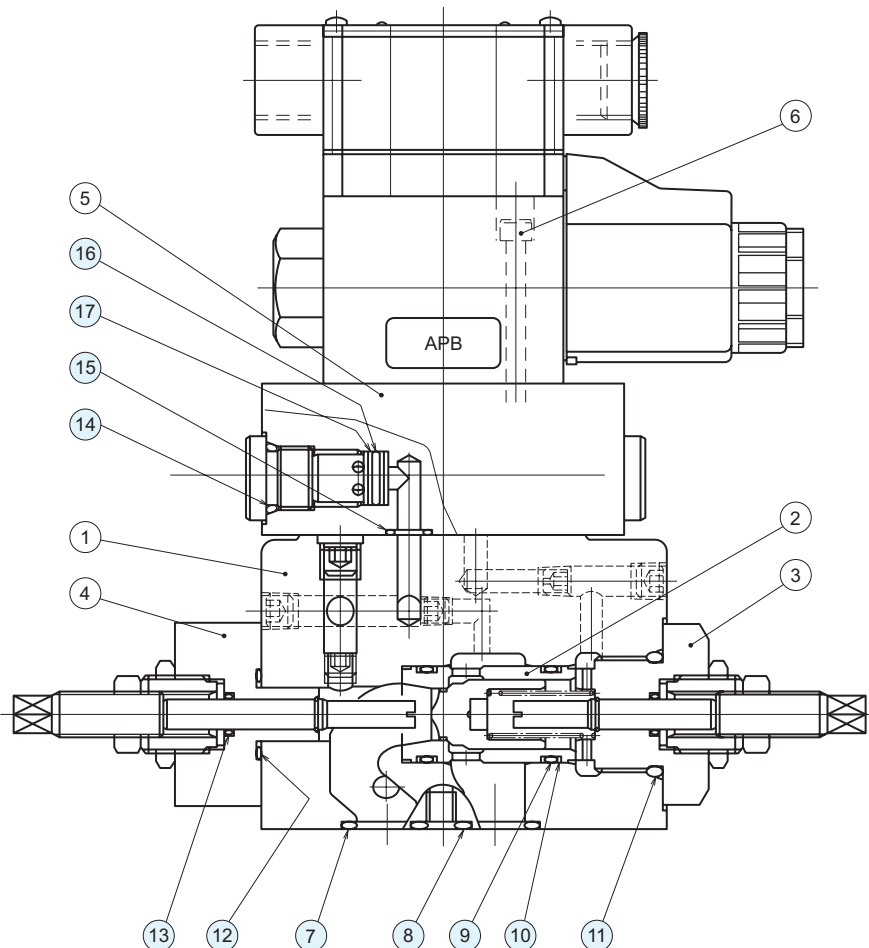


Sectional structural diagram

- C2SW-G03, 06



Sealing part table

Part No.	Name	Quantity	Part specifications	
			C2SW-G03	C2SW-G06
7	O-ring	2	JIS B 2401 1B P20	JIS B 2401 1B P28
8	O-ring	2	JIS B 2401 1B P12	JIS B 2401 1B P12
9	O-ring	2	AS568-020 (NBR, Hs90)	AS568-122 (NBR, Hs90)
10	Backup ring	4	Bias cut for AS568-020	Bias cut for AS568-122
11	O-ring	1	AS568-215 (NBR, Hs90)	AS568-222 (NBR, Hs90)
12	O-ring	1	AS568-019 (NBR, Hs90)	AS568-026 (NBR, Hs90)
13	O-ring	2	AS568-011 (NBR, Hs90)	AS568-011 (NBR, Hs90)
14	O-ring	2	JIS B 2401 1B P14	JIS B 2401 1B P14
15	O-ring	4	JIS B 2401 1B P9	JIS B 2401 1B P9
16	O-ring	2	AS568-013 (NBR, Hs90)	AS568-013 (NBR, Hs90)
17	Backup ring	2	Bias cut for AS568-013	Bias cut for AS568-013