

## Contact Details

Before using the product, please check the guide pages at the front of this catalog.

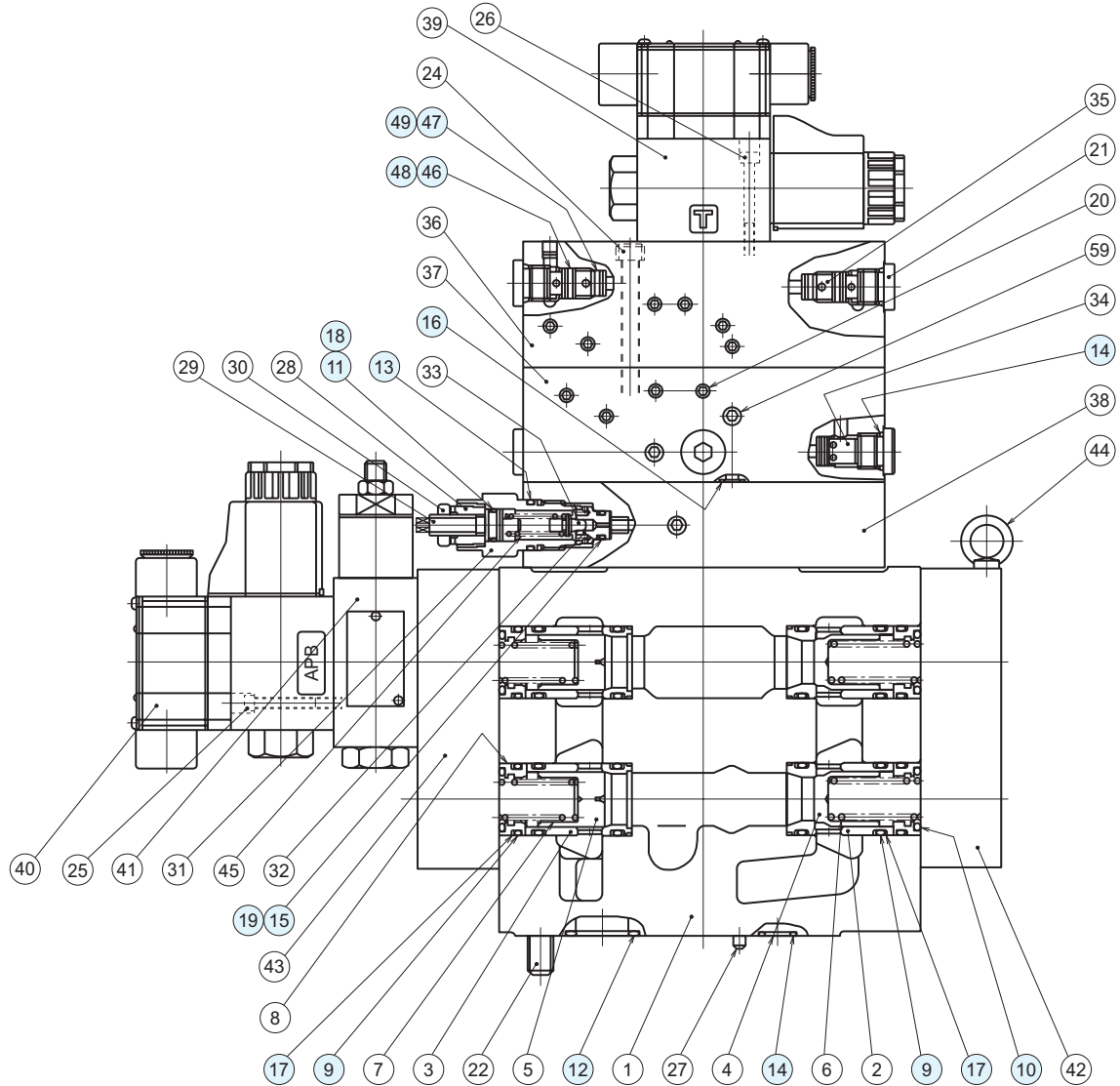
Internet

<https://www.daikinpmc.com/en/>

For latest information, PDF catalogs and operation manuals

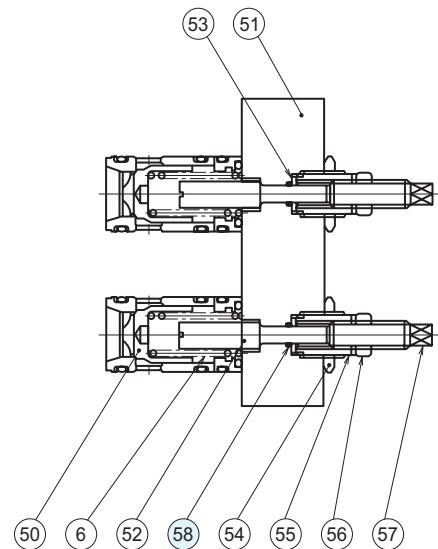
## Sectional structural diagram

● C4S-G06-7QD



Sealing part table

Part No.	Name	Quantity	Part specifications
9	O-ring	12	AS568-122 (NBR, Hs90)
10	O-ring	4	JIS B 2401 1B P24
11	O-ring	1	AS568-014 (NBR, Hs90)
12	O-ring	4	JIS B 2401 1B G30
13	O-ring	1	JIS B 2401 1B P20
14	O-ring	9	JIS B 2401 1B P14
15	O-ring	1	JIS B 2401 1B P10
16	O-ring	32	JIS B 2401 1B P9
17	Backup ring	20	Bias cut for AS568-122
18	Backup ring	1	Bias cut for AS568-014
19	Backup ring	1	JIS B 2407 bias cut P10
46	O-ring	2	AS568-012 (NBR, Hs90)
47	O-ring	2	AS568-013 (NBR, Hs90)
48	Backup ring	2	Bias cut for AS568-012
49	Backup ring	2	Bias cut for AS568-013
58	O-ring	2	AS568-011 (NBR, Hs90)



With C4ST-G06-7QD